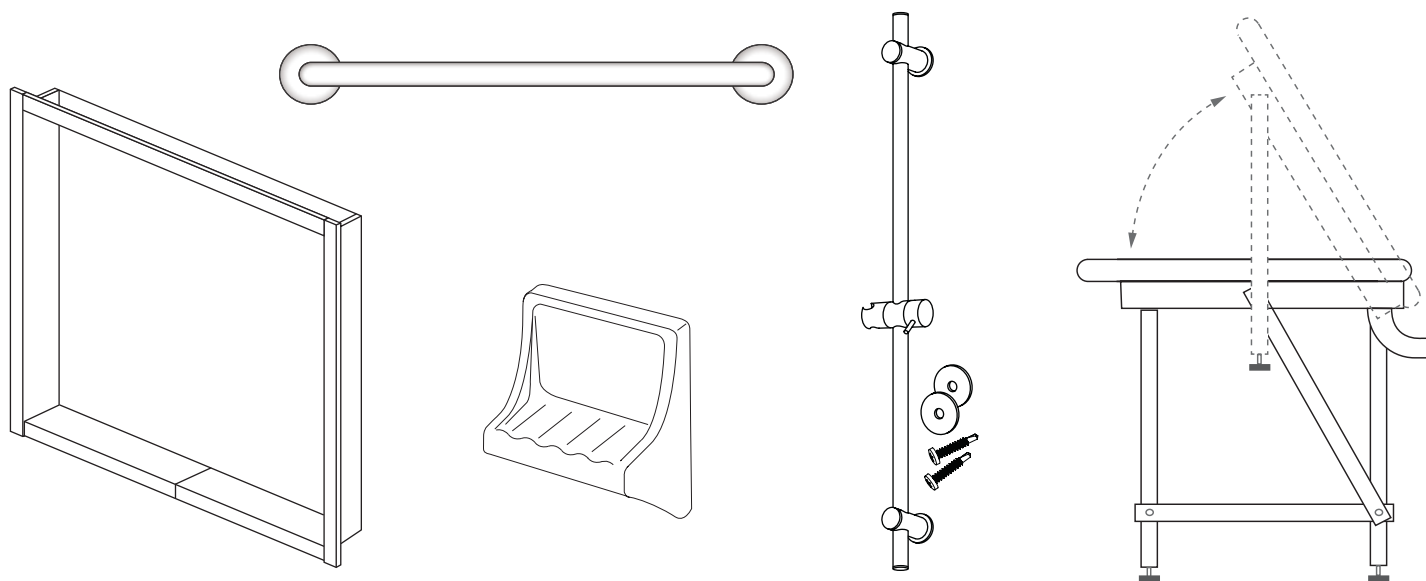


# ACCESSORY INSTALLATION AND PRODUCT MAINTENANCE



This guide includes installation instructions for Bestbath accessory products plus recommendations for cleaning and maintaining your Bestbath tub or shower.

These instructions are also available at: [www.bestbath.com/resources](http://www.bestbath.com/resources) and in video format on youtube.

For Bestbath warranty information, visit [www.bestbath.com](http://www.bestbath.com)

## TABLE OF CONTENTS

Seat and Grab Bar	2
Soap Dish – Surface Mount	3
Soap Dish – Corner Mount	4
WaterStopper – Standard Application	5
WaterStopper – Corner Application	6
Semi-Permanent Threshold Adaptor	7
Curtain and Rod	8
Standard 26" Glide Bar	9
<b>Flange Trim Kits:</b>	
for Wing Wall	10
for Remodel	11
with Reveal	12
for New Construction	13
<b>Window Trim Kits:</b>	
up to 37" width	14
up to 73" width	15
Cleaning and Maintenance Recommendations	16

*NOTE: This complete set of installation instructions is shipped with every Bestbath accessible unit. Not all products covered here will necessarily apply to your purchase.*

## Seat and Grab Bar

### ACCESSORY KIT CONTENTS:

- Folding seat, with or without swing-down legs
- Grab bar
- Grab bar wall flanges (2)

### SUPPLIES AND TOOLS NEEDED:

- Tape measure
- Marker or pencil
- Screw gun
- 7/32" bit
- 1/4" bit
- #2 Phillips bit
- 5/16" socket
- 100% silicone
- Caulk gun
- #10 x 1 1/4" Phillips-head stainless steel sheet metal screws (7)
- #10-32 x 1 1/4" stainless steel cap screws (2)
- #10-32 T-nuts (2)

### HOW TO INSTALL

#### If seat or grab bar location is predrilled:

With some models, the seat or grab bar location may be pre-drilled, just through the first layer of fiberglass. In those cases, **do not** drill any further into the wood. Simply apply silicone as shown and attach using the supplied fastener.

#### If seat or grab bar location is NOT predrilled or marked:

1. The seat should be installed 18" above the floor. Install the grab bar 34" above the floor to ensure that the seat will not swing up and hit the grab bar (Figure 1). Use a pencil to mark the seat flange and bracket hole locations on the wall.
2. Make sure the spot where the seat or bar is being attached has plywood backing. To test for plywood, *barely* drill through the fiberglass with a 7/32" bit, just until you see a few wood shavings. **Do not** pre-drill all the way into the wood. If you cannot locate any wood, see **Installation Notes** below.
3. Apply a half-circle of silicone to the flanges above the two top screws and around the lower hole (Figure 2).
4. Install the seat/bar with the screws, making sure you can feel resistance from the plywood as the screws go in (Figure 3).
5. Adjust the feet to ensure that all four are touching the floor and then tighten the jam nuts. Failure to do so may result in injuries to the user and/or damage to the shower that will not be covered by the warranty.

#### Installation Notes:

- When installing the grab bar, at least one of the three flange screws in each flange must hit wood. If it does not, try drilling an additional test hole in the flange closer to the other holes. Alternatively, use a suitable blind fastener (toggler or Winglts®).
- **Do not** install a fold-down seat *without swing-down legs* unless at least *one* of the three flange machine screws (with a T-nut) is attached to wood backing. If your unit does not have wood backing where you need it, install 2x6 blocking between the studs to provide suitable attachment.
- If you cannot locate or add suitable backing, you can install grab bars and seats (with swing-down legs only) using a Winglts® brand fastening system, also available from Bestbath.
- **Loads in excess of 250 lbs. always require a seat with swing-down legs.**

#### FOLDING SEAT WITH SWING-DOWN LEGS

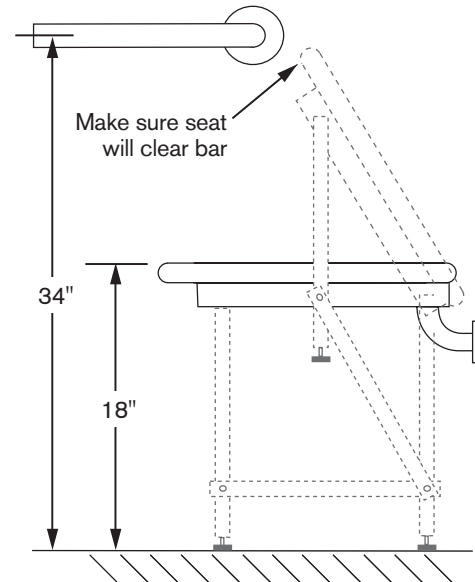


Figure 1

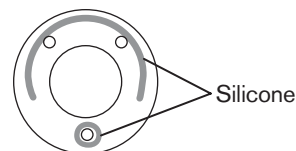


Figure 2

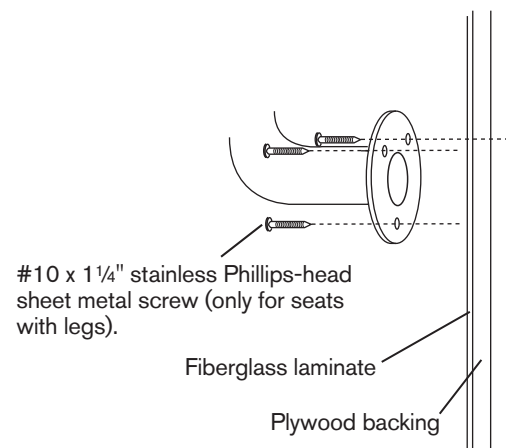


Figure 3

## Soap Dish (Surface Mount)

### ■ ACCESSORY KIT CONTENTS:

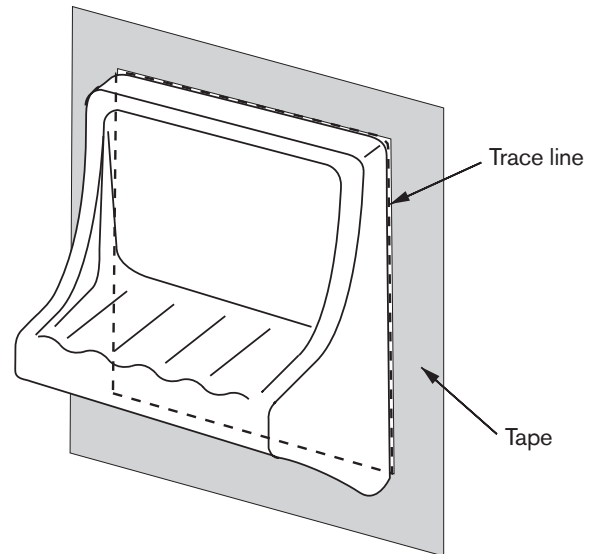
- Soap dish
- 2-part, 5-minute epoxy
- 100% silicone

### ■ SUPPLIES AND TOOLS NEEDED:

- Sandpaper
- Cleaning solvent (alcohol or acetone)
- Masking tape
- Rags or paper towels
- Tape measure
- Hot-melt glue gun (optional)

### ■ HOW TO INSTALL

1. Hold the soap dish level, at the desired location on the tub/shower wall, and trace around it with a pencil.
2. Tape off around the traced area as shown at right.
3. Clean both the area within the tape and the contact edge of the soap dish with a solvent such as alcohol or acetone.
4. Scuff the area with sandpaper, then blow or brush off sanding dust so surface is clean for application of epoxy adhesive.
5. Mix epoxy according to instructions on the package.
6. Spread adhesive on the back of the soap dish and press it into position. Hold it there while you use your free hand to quickly remove the masking tape and the excess adhesive on it.
7. Continue holding the soap dish in place for a few minutes more until you feel it has set up enough to remain adhered. Alternatively, secure it with hot-melt glue while the adhesive cures.
8. When the adhesive has cured to the point of being fairly solid (approx. 5 minutes), apply a small bead of silicone where the soap dish and the shower wall meet.



## Soap Dish (Corner Mount)



### ACCESSORY KIT CONTENTS:

- Soap dish
- 100% silicone
- Screws (4)

### SUPPLIES AND TOOLS NEEDED:

- Pencil

### HOW TO INSTALL

1. Hold the soap dish level (or slightly tipped forward) at the desired location on the tub/shower wall. Using a pencil, trace the edge on one side of the dish (*Figure 1*).
2. Hold the dish on the line you drew and install the screws on that side. Screws should be snug but not tight (*Figure 2*).
3. Hold the dish level and trace the opposite edge (*Figure 3*).
4. Hold the dish on the line you drew and install the second set of screws. Then tighten all four screws (*Figure 4*).
5. Apply silicone sealant along the sides from the top but leave the corner open to allow drainage (*Figure 5*).

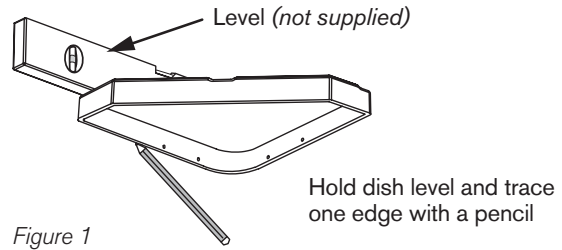


Figure 1

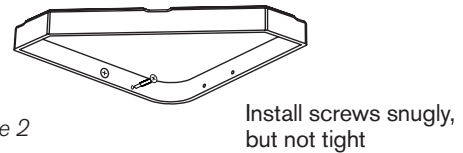


Figure 2

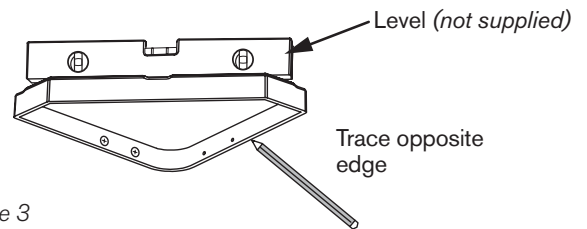


Figure 3

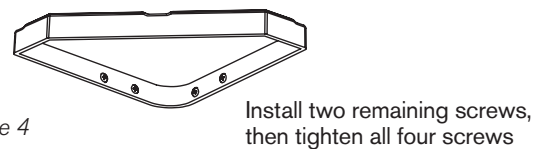


Figure 4

Leave back corner free of caulk to allow drainage.

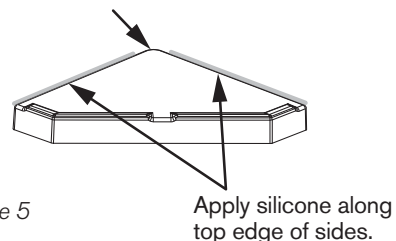


Figure 5

# INSTALLATION INSTRUCTIONS



## (Standard Application)

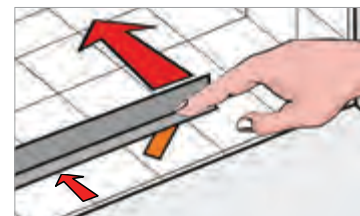



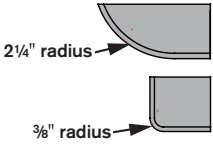


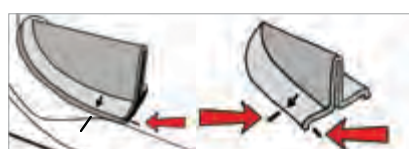





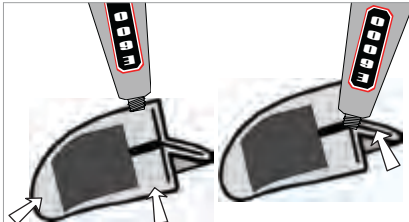
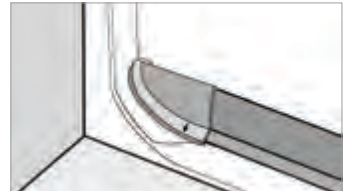

1077

### KIT CONTENTS AND SUPPLIES:

- Alcohol wipes (2 included in kit)
- E-6000 adhesive (included in kit)
- Pencil
- Scissors or utility knife
- Straight edge

**NOTE:** Adhesion may be poor on surfaces (tile) treated with silicone-based sealers. To test adhesion, peel back about 1" of the WaterStopper backing, press adhesive area to surface where it will be installed and leave it overnight. Check the test sample by pushing sideways as shown at right. If it has adhered sufficiently, pull straight up and proceed with the installation. If it has not adhered, more aggressive chemical stripping may be necessary.



<p><b>1</b> </p> <p>Clean surface with supplied alcohol wipe (SURFACE MUST BE DRY).</p>	<p><b>2</b> </p> <p>Choose the end caps that fit your unit. Without removing adhesive backing, place endcap so it is <b>level</b> at the curb edge and inside the shower front. <i>Note the distance from the front of the shower for second endcap.</i></p> <div style="display: flex; justify-content: space-around;"> <div data-bbox="820 556 1071 703"> </div> <div data-bbox="1144 556 1526 703"> </div> </div>	
<p><b>3</b> </p> <p>Use a pencil to draw the outline of the endcap on the shower.</p>	<p><b>4</b> </p> <p>Mark the floor at the embossed arrow.</p>	<p><b>5</b> </p> <p>Mark the floor at the edge of the underside indent at the open end of the endcap.</p>
<p><b>Repeat Steps 2 through 5 with the second endcap at the other end of the shower.</b></p>		
<p><b>6</b> </p> <p>Draw a line with a straight edge that connects the two marks from Step 5.</p>	<p><b>7</b> </p> <p>Peel off about 4" of the adhesive backing from the WaterStopper and stick the corner at the two intersecting marks.</p>	<p><b>8</b> </p> <p>Using the line as your guide, continue to peel off the backing as you gently stretch the WaterStopper and stick it down along the line you drew.</p>
<p><b>9</b> </p> <p>When you reach the arrow mark at the other end, cut off any excess material and firmly press the end to the floor. <b>Move along the length pressing firmly down on both sides of the WaterStopper.</b></p>	<p><b>10</b> </p> <p>Peel the backing off the self-adhesive tape on the endcaps.</p>	<p><b>11</b> </p> <p>Apply E-6000 adhesive on the edge around the bottom and inside the front slot.</p>
<p><b>12</b> </p> <p>Press the endcaps down inside the drawn outline. Make sure the upright portion of the WaterStopper is slotted properly into the endcap. Use the second alcohol wipe to remove any excess E-6000 adhesive and the pencil marks.</p>	<p><b>13</b> </p> <p>The WaterStopper will be ready for use after four hours. The WaterStopper combined with a heavy duty, weighted curtain offers one of the best water retention system available.</p>	

# INSTALLATION INSTRUCTIONS

## WATER STOPPER (Corner Application)

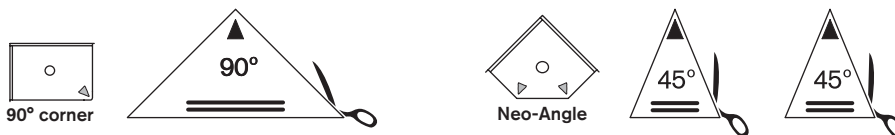


1078

To begin, refer to Steps 1 – 6 on the WaterStopper Standard Application instructions.

<p><b>1</b> Lay the WaterStopper along the front of your shower, leaving equal excess at each end.</p>	<p><b>2</b> Mark the WaterStopper nearest the corner with a pencil.</p>	<p style="text-align: center;"><b>For Neo-Angle Showers</b></p> <p style="text-align: center;">After Step 2, use the 45° template and refer to Steps N1 and N2 below.</p> <p><b>N1</b> Follow Steps 3-10, using a scrap piece of wood or other hard surface between the shower floor and the WaterStopper to make your cut. Remove backing between cuts.</p> <p><b>N2</b> Holding the first angle firmly, pull tight and stick second corner down while making sure the front is straight. Continue with Step 12.</p>	
<p><b>3</b> Extend your pencil mark onto the vertical surface.</p>	<p><b>4</b> From the angle templates at bottom of page, cut out the one that matches the angle of your shower.</p>	<p><b>5</b> Place the template on the WaterStopper with the arrow pointing toward your mark and the parallel lines (=) flat against the outside edge. Trace the template.</p>	<p><b>6</b> Use your razor knife to cut out the traced area. Make sure to start your cut on the vertical surface. If the WaterStopper does not fully bend to your angle, cut further into the vertical surface. <b>DO NOT</b> make cuts on your shower surface.</p>
<p><b>7</b> This is an example of a cut for a 90° corner shower.</p>	<p><b>8</b> Slice the backing about 6" on either side of the cut out. <b>DO NOT</b> cut through the adhesive strip or the rubber (see step 9).</p>	<p><b>9</b> Remove this section of the backing.</p>	<p><b>10</b> Bend the WaterStopper to your corner angle. Make sure that the outer edge curls up rather than down.</p>
<p><b>11</b> With one finger or thumb in the inside pit of the cut, press the WaterStopper down onto the shower.</p>	<p><b>12</b> Hold the center cut down with one hand and use the other to stretch tight and stick the exposed section of the adhesive down to the corner of your shower.</p>	<p><b>13</b> Run your thumbs or fingers along the outside bend, sticking the curled section down.</p>	<p><b>14</b> Your corner is finished. Continue with Steps 9-11 on the WaterStopper Standard Application instructions (FORM 1077) to add end caps and complete installation.</p>

**Angle Templates:**





## Semi-Permanent Threshold Adaptor

Part Numbers TAS, TASW, and TASM

### ACCESSORY KIT CONTENTS:

- Threshold adaptor
- 100% silicone

### SUPPLIES AND TOOLS NEEDED:

- Pencil
- Masking tape (optional)

### HOW TO INSTALL

1. Put the adaptor in place and trace a pencil line around it on the shower bottom (*Figure 1*).
2. Place a 1/4" bead of silicone just inside the pencil line.
3. Carefully put the threshold in position (*Figure 2*).
4. Smooth out the excess silicone with a wet finger. A strip of masking tape, positioned 1/4" from the pencil line on the shower and 1/4" from the edge of the adaptor, will help ensure a smooth edge and make excess silicone easier to remove (*Figures 2 and 3*).
5. Remove the masking tape and touch up with a wet finger to smooth and feather edges of the silicone.
6. Do not disturb for 12 hours.

#### To remove the adaptor:

1. Holding the blade flat, carefully cut through all the silicone with a utility knife.
2. Pivot the threshold sideways into the shower and pull it up.
3. Carefully remove the silicone with a single-edged razor blade and Goof Off® Remover or other caulk remover (available at most hardware stores).

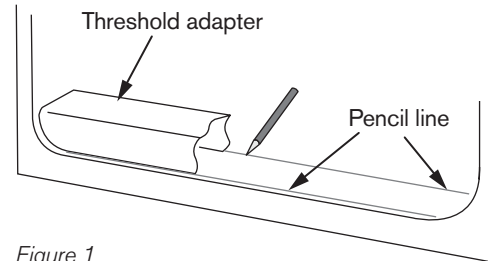


Figure 1

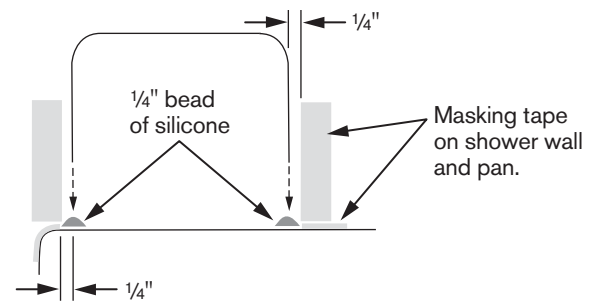


Figure 2

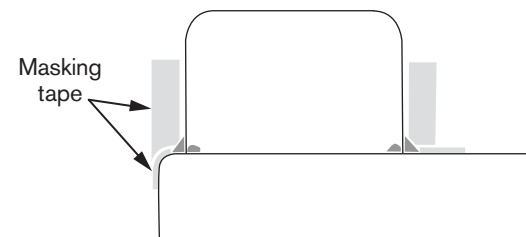


Figure 3

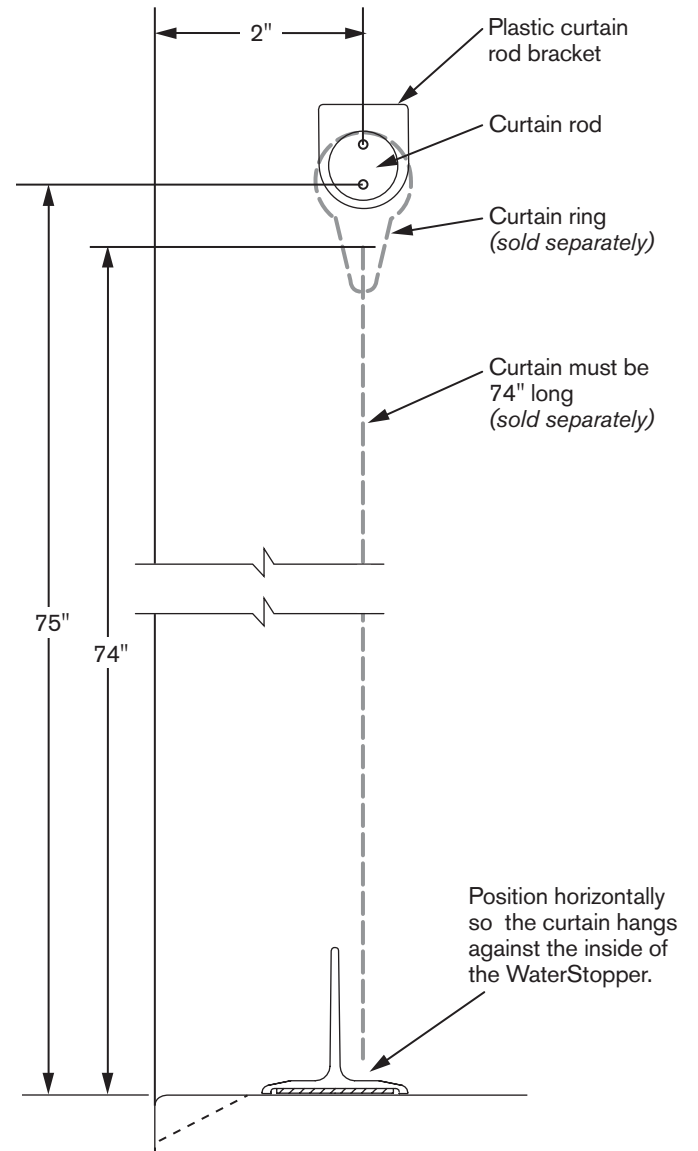
## Curtain and Rod

### ■ ACCESSORY KIT CONTENTS:

- Curtain rod
- Curtain rod bracket (2) with screws

### ■ HOW TO INSTALL

- Cut the curtain rod to the correct length based on whether it will be installed on the walls of the shower or on the walls above the shower unit.
- Use screws to attach a bracket at the right level on each side of the shower unit (or wall above).



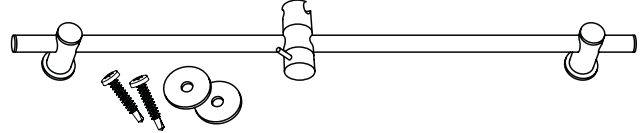


## Standard 26" Glide Bar

### ACCESSORY KIT CONTENTS:

- Glide bar assembly
- #10x1" TEK screws (2)
- #10x3/4" Fender washers (2)

### KIT CONTENTS (ASSEMBLED)



### HOW TO INSTALL

- Refer to Figures 1–3 below.

#### DISASSEMBLE KIT PARTS

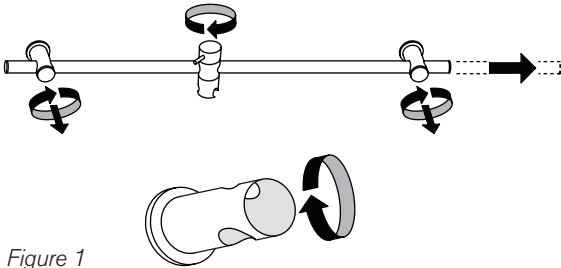


Figure 1

#### MARK AND INSTALL FLANGES

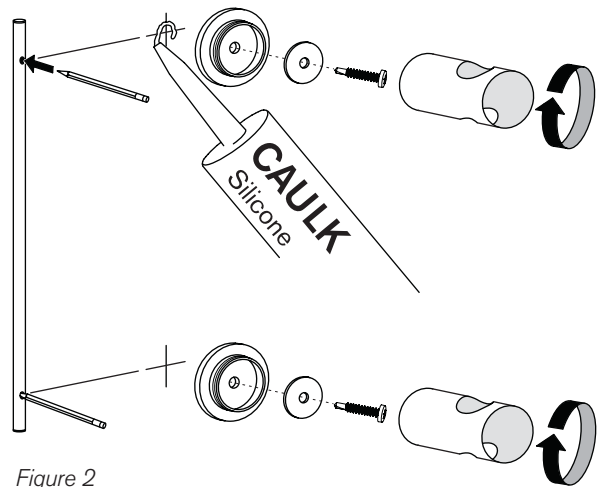


Figure 2

#### RE-ASSEMBLE GLIDE BAR ON FLANGES

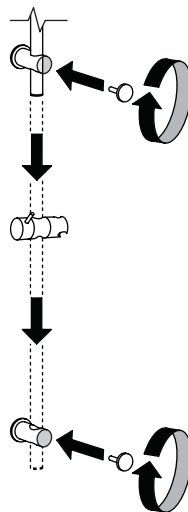


Figure 3

## Flange Trim Kit for Wing Wall



### APPLICATION:

For use as an easy way of covering the nailing flange where drywall or other wall material is already installed BEHIND a shower with a wing wall.

### ACCESSORY KIT CONTENTS:

- Back wall section
- Typical side front sections (2)
- Typical side top section
- Universal side top section
- Wing wall top section
- Loctite® Power Grab® construction adhesive
- 100% silicone

### MATERIALS & SUPPLIES NEEDED:

- Paintable latex caulk

### HOW TO INSTALL

#### Installation:

1. Measure the distance along the back wall between the drywall on each side of the shower.
2. Trim the back wall section to the correct size with a hacksaw.
3. Apply dollops of Power Grab® adhesive, approximately 3/4" tall and spaced 8" apart, to the nailing flange. Press the trim in place.
4. Repeat Steps 1–3 with the remaining sections.
5. Caulk around all edges. Use 100% silicone between shower and trim; use paintable latex between trim and drywall (Figure 3).

### TRIM SHOWN BEFORE INSTALLATION

Make sure you measure horizontal side pieces from the "step" and not from the end. See dimension A below.

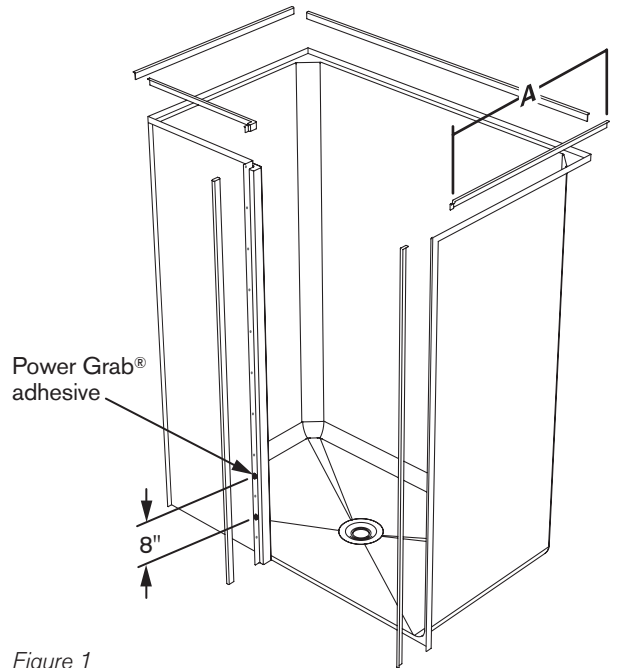


Figure 1

### TRIM CROSS-SECTION

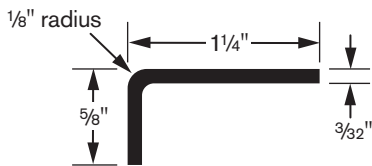


Figure 2

### TRIM CROSS-SECTION (INSTALLED)

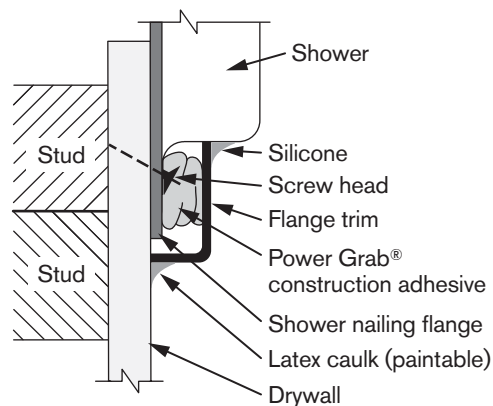


Figure 3

### LEFT WING WALL SHOWN

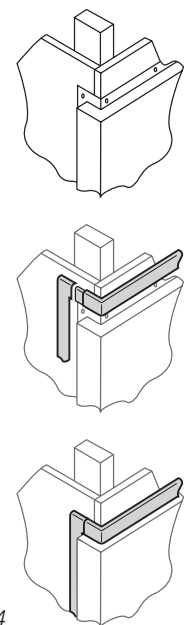


Figure 4

## Flange Trim Kit for Remodel

Part Numbers FTKR3, XFTKR3, and FTKTR3



### APPLICATION:

- For use on remodels where dry wall is either:
- cut out to install the shower (Figure 3); or
  - damaged in such a way that it will not be concealed by our narrower 1 1/4" FTK125 molding kit (Figure 4).

### ACCESSORY KIT CONTENTS:

- Back wall section
- Left front section
- Left top section
- Right front section
- Right top section
- Loctite® Power Grab® construction adhesive (2)
- 100% silicone

Kit Part Number	Shower Height
FTKR3	42" to 83"
XFTKR3	83" to 94 1/2"
FTKTR3	15" to 42"

### MATERIALS & SUPPLIES NEEDED:

- Paintable latex caulk

### HOW TO INSTALL

1. Measure the distance along the back wall between the drywall on each side of the shower.
2. Trim the back wall section to the correct size with a hacksaw.
3. Apply dollops of Power Grab® adhesive, approximately 3/4" tall and spaced 8" apart, on both the nailing flange and drywall. Press the trim in place.
4. Repeat Steps 1–3 with the remaining sections.
5. Clear away any excess adhesive, then caulk around all edges. Use 100% silicone between shower and trim; use paintable latex between trim and drywall (Figures 3 and 4).

### TRIM SHOWN BEFORE INSTALLATION

Make sure you measure horizontal side pieces from the "step" and not from the end. See dimension A below.

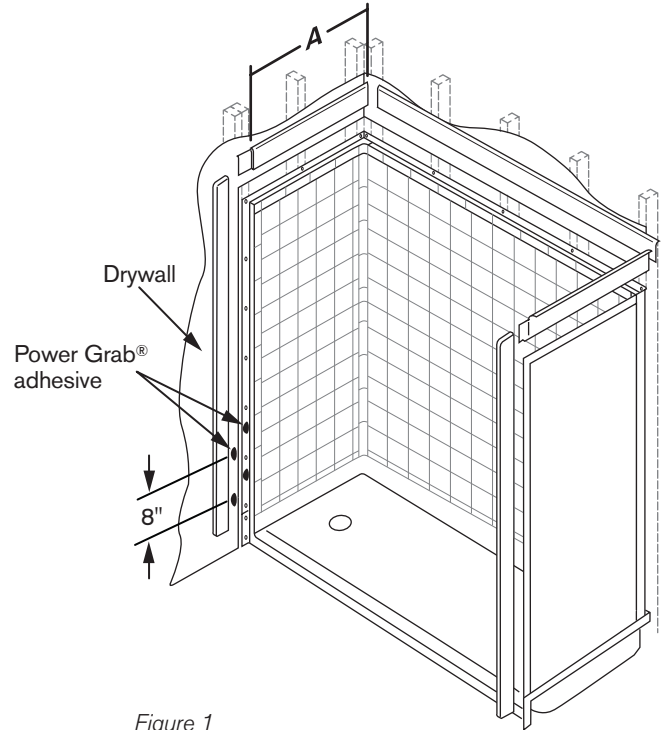


Figure 1

### TRIM CROSS-SECTION

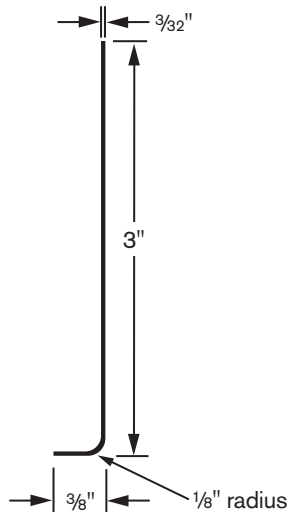


Figure 2

### TYPICAL TRIM CROSS-SECTION (INSTALLED)

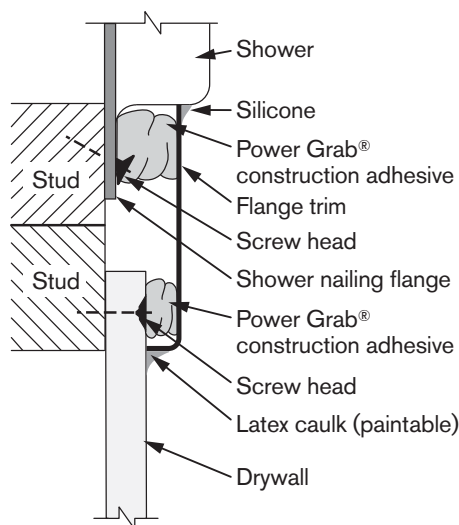


Figure 3

### NON-TYPICAL TRIM CROSS-SECTION, INSTALLED ON SHOWER OVER DAMAGED DRYWALL

Use when drywall is damaged beyond coverage with the 1 1/4" kit.

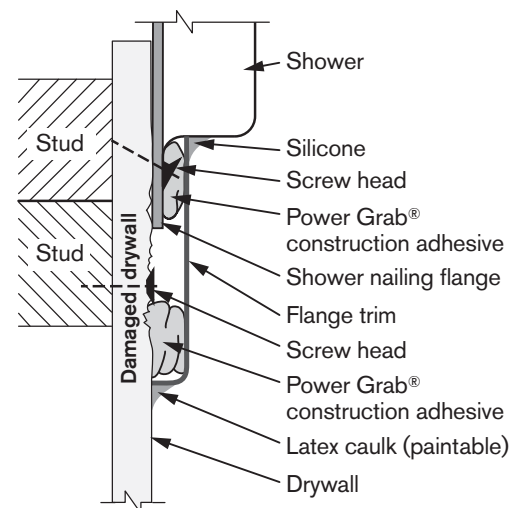


Figure 4

## Flange Trim Kit with Reveal

Part Numbers FTK125RVL and FTK125DRVL



### APPLICATION:

For use as an easy way of covering the nailing flange on showers or tub/showers with one or two reveal-type flanges where drywall or other wall material is already installed BEHIND the unit.

### ACCESSORY KIT CONTENTS:

- Non-reveal front section (2)
- Non-reveal top section
- Reveal front section (1 or 2\*)
- Reveal top section (1 or 2\*)
- Back wall section
- Loctite® Power Grab® construction adhesive
- 100% silicone

\* Doubles will have 2 sections.

Kit Part Number	Type	Shower Height
FTK125RVL	Single reveal	42" to 82¾"
XFTK125RVL	Single reveal	83" to 94½"
FTK125DRVL	Double reveal	42" to 82¾"
XFTK125DRVL	Double reveal	83" to 94½"

### MATERIALS & SUPPLIES NEEDED:

- Paintable latex caulk

### HOW TO INSTALL

#### Installation:

1. Measure the distance along the back wall between the drywall on each side of the shower.
2. Trim the back wall section to size with a hacksaw.
3. Apply dollops of Power Grab® adhesive, approximately ¾" tall and spaced 8" apart, to the nailing flange. Press the trim in place.
4. Repeat Steps 1–3 with the remaining sections.
5. Clear away any excess adhesive, then caulk around all edges. Use 100% silicone between shower and trim; use paintable latex between trim and drywall (Figure 3).

### TRIM SHOWN BEFORE INSTALLATION

Make sure you measure horizontal side pieces from the "step" and not from the end. See dimension A below.

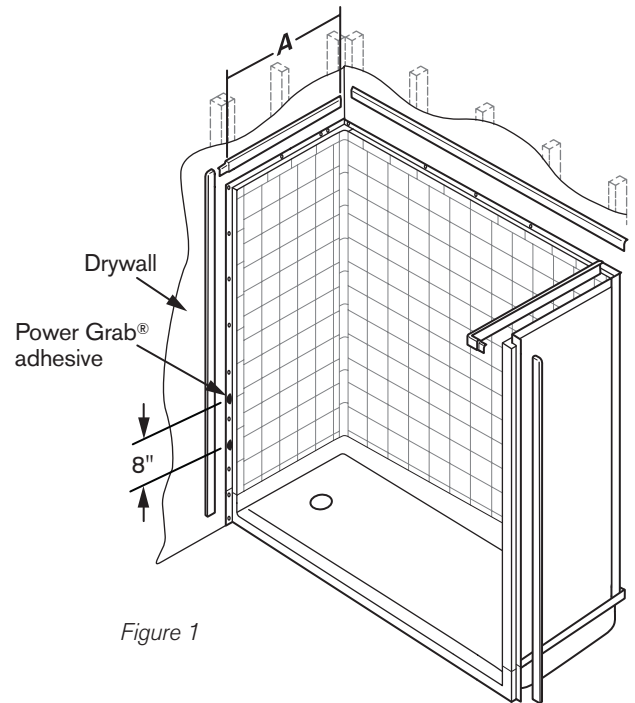


Figure 1

### TRIM CROSS-SECTION

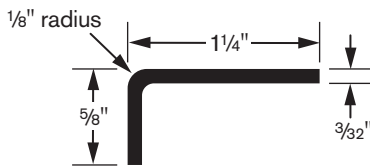


Figure 2

### TRIM CROSS-SECTION (INSTALLED)

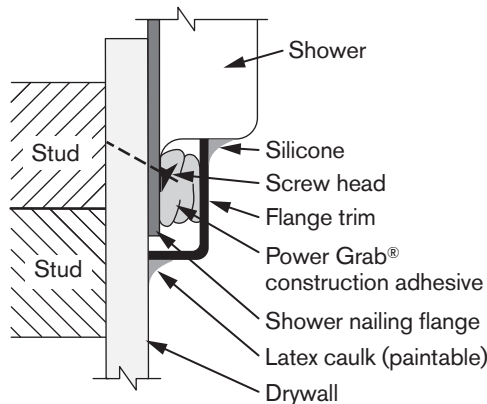


Figure 3

### RIGHT REVEAL SHOWN

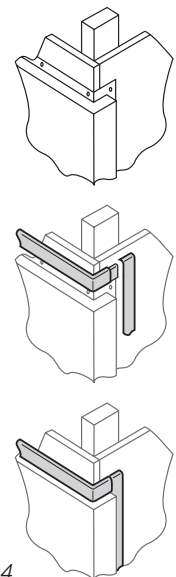


Figure 4

## Flange Trim Kit for New Construction

Part Numbers FTK125 and XFTKT125



### APPLICATION:

For use as an easy way of covering the nailing flange where drywall or other wall material is already installed BEHIND a shower or tub-shower unit.

### ACCESSORY KIT CONTENTS:

- Back wall section
- Left front section
- Left top section
- Right front section
- Right top section
- Loctite® Power Grab® construction adhesive
- 100% silicone

Kit Part Number	Shower Height
FTK125	83" or less
XFTKT125	83" to 94½"

### MATERIALS & SUPPLIES NEEDED:

- Paintable latex caulk

### HOW TO INSTALL

1. Measure the distance along the back wall between the drywall on each side of the shower.
2. Trim the back wall section to the correct size with a hacksaw.
3. Apply dollops of Power Grab® adhesive, approximately ¾" tall and spaced 8" apart, to the nailing flange. Press the trim in place.
4. Repeat Steps 1–3 with the remaining sections.
5. Clear away any excess adhesive, then caulk around all edges. Use 100% silicone between shower and trim; use paintable latex between trim and drywall (Figure 3).

**TRIM SHOWN BEFORE INSTALLATION**  
 Make sure you measure horizontal side pieces from the "step" and not from the end. See dimension A below.

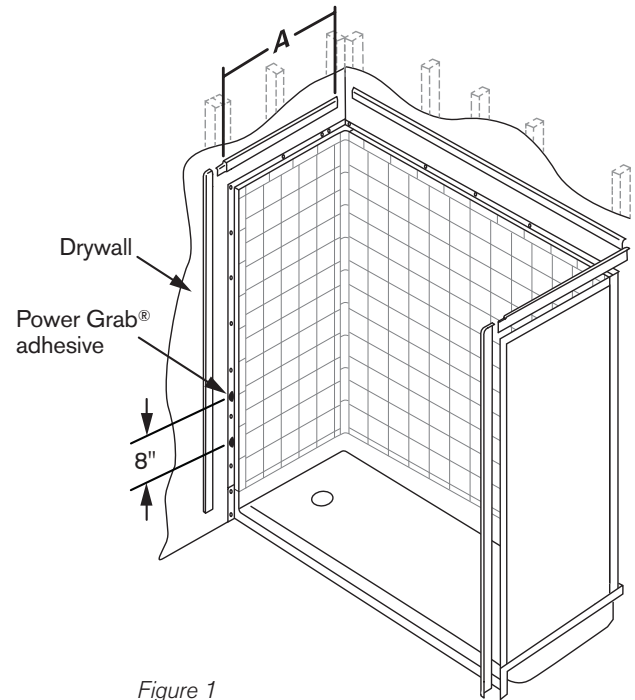


Figure 1

### TRIM CROSS-SECTION

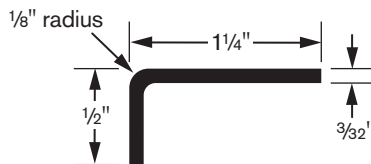


Figure 2

### TRIM CROSS-SECTION (INSTALLED)

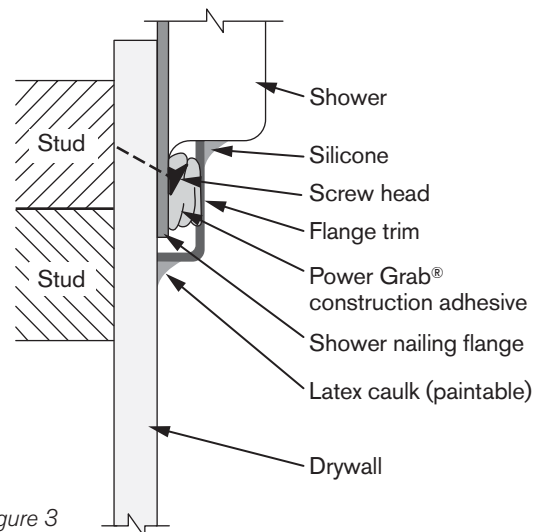


Figure 3

# INSTALLATION INSTRUCTIONS

## Window Trim Kit — up to 37" width

Part Numbers WTK37 and WTK37H (with header)



1088

### ACCESSORY KIT CONTENTS:

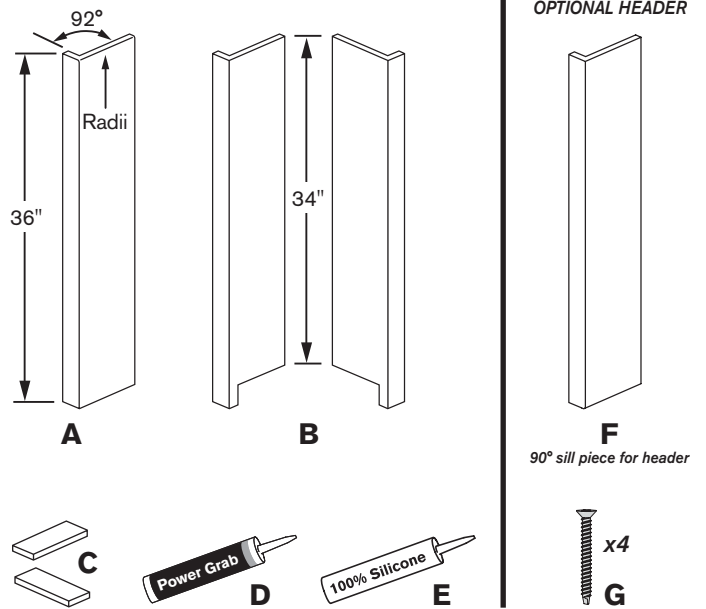
- **A** 36" long sill with 92° angle for drain-off; radii at left end
- **B** 36" long side with 90° angle (2)
- **C** Top trim (2) *not included with header kit*
- **D** Loctite® Power Grab® construction adhesive
- **E** 100% silicone

### Optional header components:

- **F** 36" long sill with 90° angle
- **G** #8 x 1½" header mounting screws (4)

### HOW TO INSTALL

1. Cut side pieces (**B**) to length and width (Figure 3). For cut edges that will not be covered with silicone, use a jig saw with a bi-metal blade to help prevent a rough edge; otherwise use a power saw.
2. Install side pieces with Power Grab® adhesive and brace or tape as needed until the adhesive hardens.
3. Cut sill piece (**A**) to length and width (cut slightly narrower than side pieces) and install *tipped forward* approximately 2° (or 1/16" – 1/8") for water run-off (Figure 4).
4. Cut top trim pieces (**C**) to fit and install (Figure 5).
5. Caulk all joints and corners with silicone (Figure 5).



CROSS-SECTION: SILL PIECE (A)

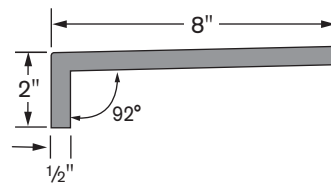


Figure 1

CROSS-SECTION: SIDE PIECE (B) (and optional header)

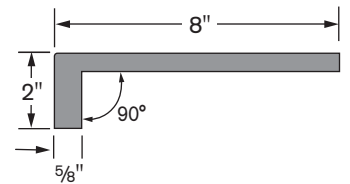


Figure 2

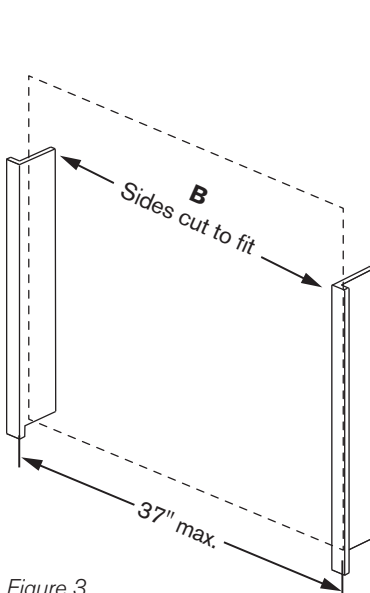


Figure 3

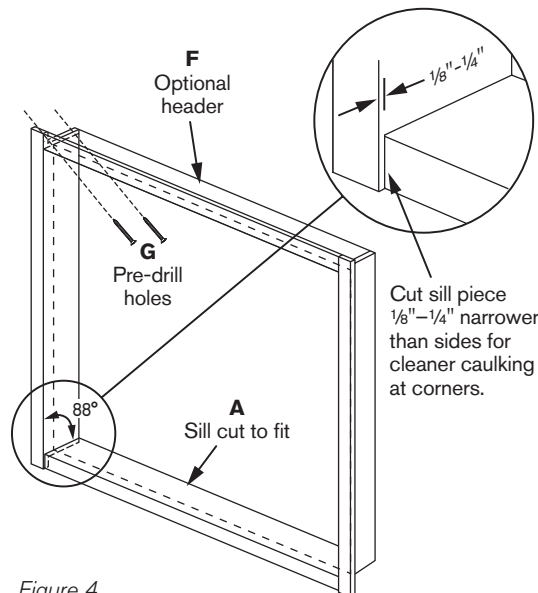


Figure 4

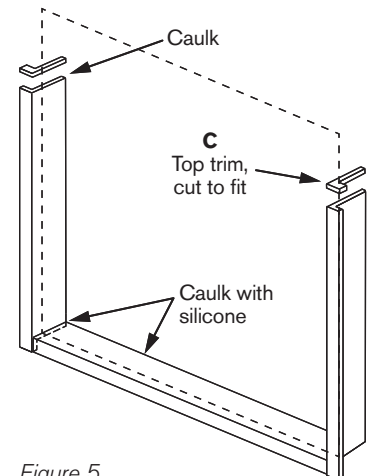


Figure 5

## Window Trim Kit — up to 73" width

Part Numbers WTK73 and WTK73H (with header)



1087

### ACCESSORY KIT CONTENTS:

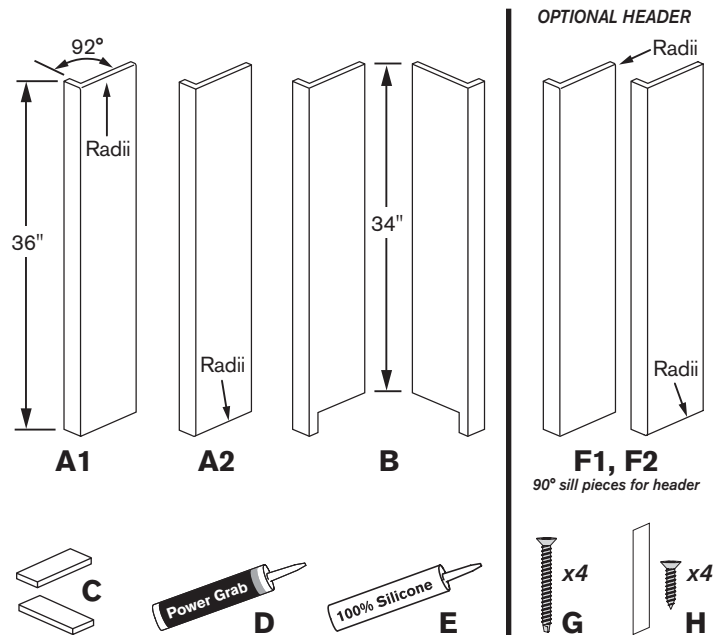
- **A1** 36" long sill with 92° angle for drain-off; radii on left end
- **A2** 36" long sill with 92° angle for drain-off; radii on right end
- **B** 36" long side with 90° angle (2)
- **C** Top trim (2) *not included with header kit*
- **D** Loctite® Power Grab® construction adhesive
- **E** 100% silicone

### Optional header components:

- **F1** 36" long sill with 90° angle; radii on left end
- **F2** 36" long sill with 90° angle; radii on right end
- **G** #8 x 1 1/2" header mounting screws (4)
- **H** #8 x 1/2" screws (4) with header connecting strip

### HOW TO INSTALL

1. Cut side pieces (**B**) to length and width (*Figure 3*). For cut edges that will not be covered with silicone, use a jig saw with a bi-metal blade to help prevent a rough edge; otherwise use a power saw.
2. Install side pieces with Power Grab® adhesive and brace or tape as needed until the adhesive hardens.
3. Cut sill pieces (**A1, A2**) to length and width (cut slightly narrower than side pieces) and install *tipped forward* approximately 2° (or 1/16" – 1/8") for water run-off (*Figure 4*).
4. Cut top trim pieces (**C**) to fit and install (*Figure 5*).
5. Caulk all joints and corners with silicone (*Figure 5*).



CROSS-SECTION: SILL PIECE (A)

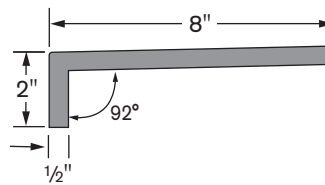


Figure 1

CROSS-SECTION: SIDE PIECE (B) (and optional header)

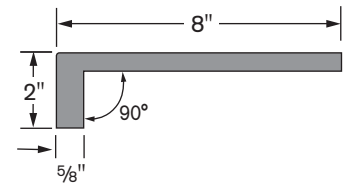


Figure 2

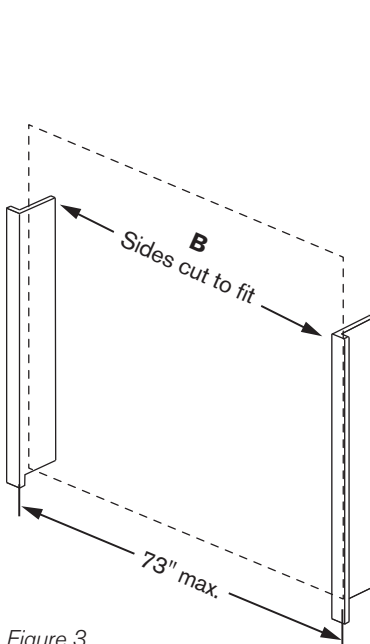


Figure 3

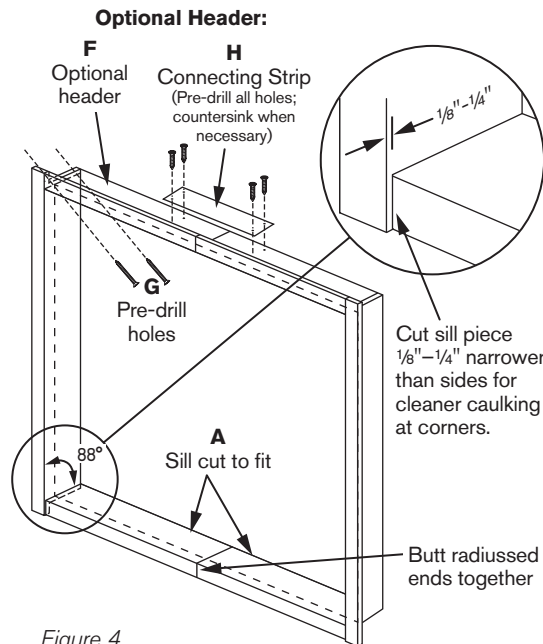


Figure 4

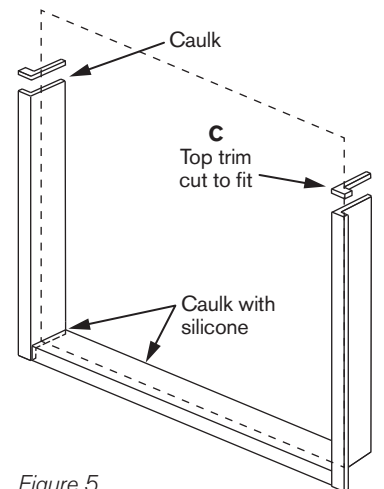


Figure 5



## Cleaning and Maintenance Recommendations



### ■ CARING FOR YOUR BESTBATH SHOWER OR TUB

*It is important to perform regular cleaning and maintenance on your Bestbath® unit. Doing so will help ensure that continues to function at its best for many years. Read and follow the care and maintenance recommendations noted here and keep these care instructions for future reference.*

#### Basic Cleaning

Best cleaning results are obtained by using automotive paste wax or gel gloss on the **walls only**. The walls of the shower bathing unit should be waxed before use and then once every two or three months. A furniture wax may also be used.

In almost all instances, polish or paste wax will remove dirt accumulated during normal use. If a cleaner is needed, use only a non-abrasive liquid. Cleaners designed specifically for fiberglass work very well.

**!** *Do not apply wax to the floor of the shower, shower pan or tub! This could make the surface slippery and increase the risk of injury due to falling.*

#### Stain and Residue Removal

- Stains or burns can be removed by using an automotive rubbing compound, which will also restore surface luster.
- Difficult stains may require light sanding with wet 600 grit or finer sandpaper prior to using rubbing compound.
- The label on the inside of the unit may only be removed by the occupant. The adhesive residue from this label can be removed with lighter fluid, nail polish remover or Goof Off® Remover (available at most hardware stores).

**!** *Avoid using caustic drain openers/clog removers (such as Drano) as they can damage the surface if allowed to stand.*

- **DO NOT** apply wax to the floor of the shower, shower pan or tub, as it could make the surface slippery.
- **DO NOT** use caustic drain clog removers as they can damage the surface if allowed to stand.