

# showerbuddy®



OWNERS MANUAL  
SB1 SHOWERBUDDY

## Will the SB1 ShowerBuddy fit your bathroom?

Try our online bathroom calculator at [BathCheck.com](https://BathCheck.com) or **scan the QR code** to download the mobile app.



SCAN ME (SB1)

**Want to see a video of how to install SB1?**

**Scan the QR code** to watch the video.

**Accessories are available to adapt your SB1 to suit you and your room** – refer to our website for full details here.

<https://shower-buddy.com/mobility-products/showerbuddy-sb1/>



Be careful! Fingers or other body parts of a user and/or assistant can be trapped between the device's parts during folding, unfolding or adjusting of the device. Be extremely careful when adjusting the device. Observe the dimensions of gaps between the device's parts to avoid trapping your fingers or other body parts.

## contents

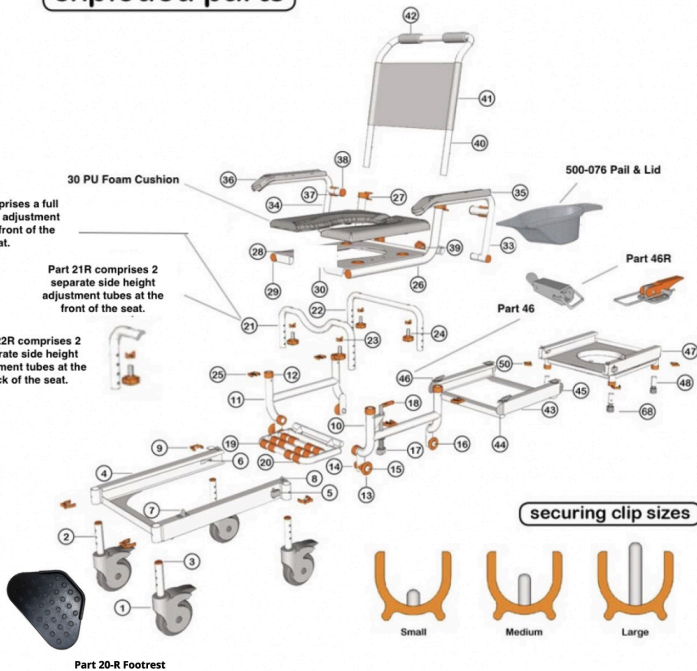
Exploded Parts .....	3
Parts List .....	4
Showerbuddy Assembly .....	5
Bridge Support Bracket .....	10
Showerbuddy Setup .....	13
Showerbuddy Operation .....	17
Cleaning + Maintenance .....	23
Safety Information .....	24
Warranty Information .....	27

# exploded parts

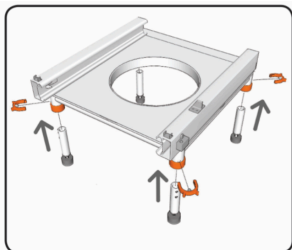
Part 21 comprises a full width height adjustment tube at the front of the seat.

Part 21R comprises 2 separate side height adjustment tubes at the front of the seat.

Part 22R comprises 2 separate side height adjustment tubes at the back of the seat.



**HEIGHT ADJUSTMENT CLIPS** Please note the correct clip and part number relative to where they fit on the chair. The clips have the same plastic clamp size but different length stainless steel pin that goes through the height adjustment hole to set the chair, bridge support legs or shower base height.



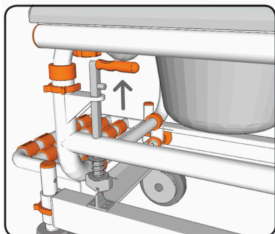
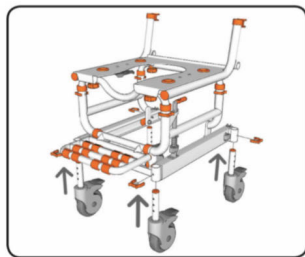
Small

Use Part # 50  
Short pin height  
adjustment clip in  
the shower base  
only.

Use Part # 9 Medium  
pin height adjustment  
clip in the caster  
wheels leg. It is also  
used in the height  
adjustment leg on the  
bridge support.



Medium



Use Part #25 Long Pin  
in the main frame  
height adjustment  
tubes



Large

# parts list

See the exploded chair image for the location of parts.

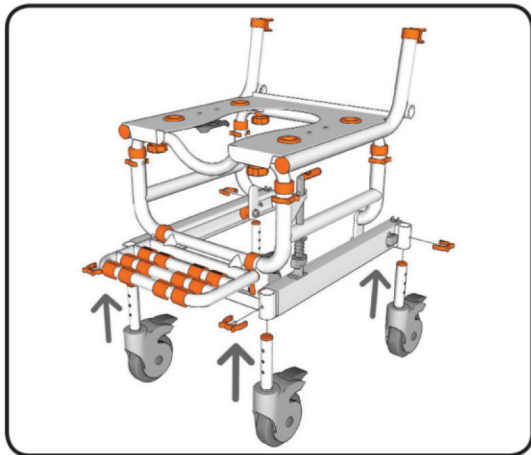
- |   |   |
|---|---|
| ① 5" Castor Wheel                       | ②⑥ Seat Base                              |
| ② Height Adjustment Tube (Castor Wheel) | ②⑦ Arm Rest Clip                          |
| ③ Tube Cap                              | ②⑧ Cushion Connector                      |
| ④ Rolling Track                         | ②⑧ Tube Cap (32mm)                        |
| ⑤ Secondary Brake (Left)                |   |
| ⑥ Secondary Brake (Right)               |   |
| ⑦ Primary Brake Latch                   |   |
| ⑧ Latch Hook                            | ③③ Arm Rest (Left)                        |
| ⑨ Securing Clip (Medium)                | ③④ Arm Rest (Right)                       |
| ⑩ Base Leg (Left)                       | ③⑧ Arm Rest Padding (Left)                |
| ⑪ Base Leg (Right)                      | ③⑧ Arm Rest Padding (Right)               |
| ⑫ Leg Tube Cap                          | ③⑦ Arm Rest Lock                          |
| ⑬ Track Wheel                           | ③⑧ Arm Rest Cap                           |
| ⑭ Tube Washer (32mm)                    | ③⑧ Arm Rest Knob                          |
| ⑮ Track Wheel Axle (Front)              | ④⑩ Back Rest Frame                        |
| ⑯ Track Wheel Axle (Rear)               | ④① Back Rest Fabric                       |
| ⑰ Primary Brake Lever                   | ④② Hand Grips                             |
| ⑱ Primary Brake Handle Sleeve           | ④③ Bridge                                 |
| ⑲ Foot Rest                             | ④④ Bridge Tongue (Long)                   |
| ⑳ Foot Rest Grips                       | ④⑤ Bridge Tongue (Short)                  |
| ㉑ Height Adjustment Tube (Front)        |   |
| ㉒ Height Adjustment Tube (Rear)         | ④⑦ Shower Track                           |
| ㉓ Tube Washer (25mm)                    | ④⑤ Height Adjustment Tubes (Shower Track) |
| ㉔ Fixing Knob                           | ④⑧ Rubber Feet                            |
| ㉕ Securing Clip (Large)                 | ④⑩ Securing Clip (Small)                  |
| ㉖ Bridge Support Bracket                |   |

Note: Part #97 the bridge support system is not shown in the exploded drawings but is detailed later in this user manual. It must be fitted to the bridge and used during transfers.

**Part # 20-R Footrest, plastic tray style.**

- Part # 21 Front height adjustment tube. This is a 1-piece tube, side to side
- Part # 21R Front height adjustment tubes (a LH and RH tube), removes the section of tube in the centre front to allow better access by the care giver.
- Part # 30 Cushion, PU Foam, Open Front
- Part # 46 Latch fitted to bridge
- Part # 46R Latch fitted to bridge (as SB2-2T design) with adjustable length hoop
- Part # 500-076 Commode bucket and lid
- Part # 500-117 Arm rest lock (sliding plastic lock)
- Part # 22-R Rear height adjustment tubes (LH and RH tube)

## step 1



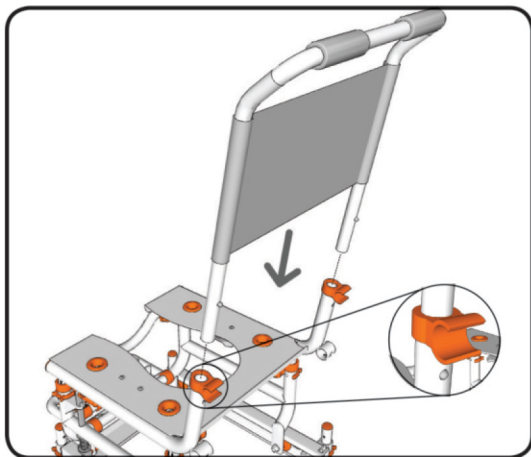
Insert each 5" castor wheel into the wheeled track.

Secure each castor wheel at the required height using 1 medium securing clip.

### NOTE

- Each height adjustment hole raises the wheeled track 1".
- Check to ensure all securing clips are fully inserted.
- Ensure all castor wheels are aligned at the same height.

## step 2



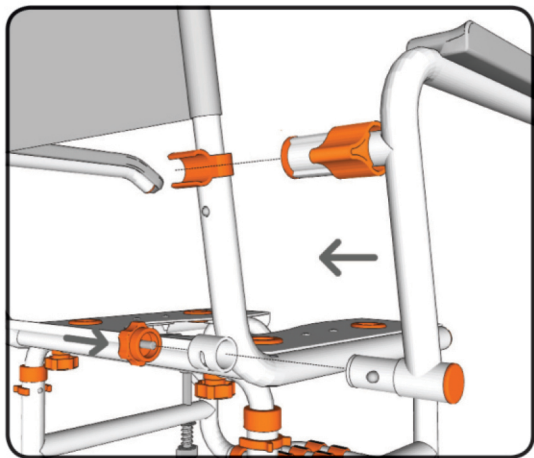
Insert the back rest frame into the seat base.

Slide the back rest frame into the seat base until the clip pins click into the holes on the seat base.

The clip pins secure the chair back frame in position.

### NOTE

- To remove the seat back press the clip pins in and slide the seat back out of the seat base.

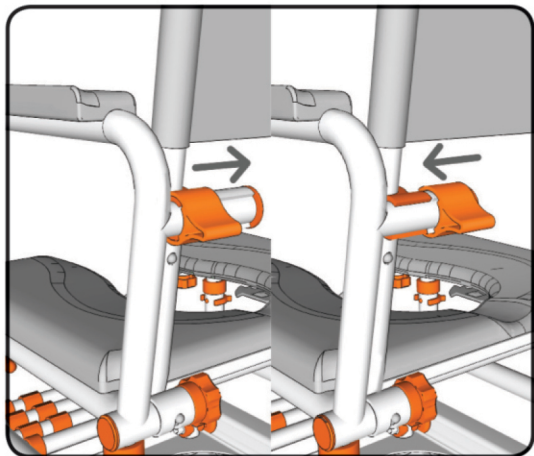


## step 3

Insert the arm rests into the sockets on the seat base until the clip pin clicks and locates the arm rests in position.

Swing the arm rest forward so that it locks into position in the arm rest clip.

Slide the arm rest lock over the arm rest clip to lock the arm rest in position.



## step 4

By sliding the armrest lock you can easily swing the armrest out of the way or secure the armrest in position.

To unlock the armrest slide the armrest lock away from the armrest.

To lock the armrest slide the armrest lock towards the armrest.

### NOTE

- The armrest locks should always be used when the armrests aren't in the swing-away position.



## step 5

The armrests can be easily swung-away when required.

Unlock the armrest by sliding the armrest lock away from the armrest. Once this is done the armrest can be swung away. The clip pin which secures the armrest in position stops the armrest from rotating to far.

**NOTE** - The armrest locks should always be used when the armrests aren't in the swing-away position.



Be careful! Fingers or other body parts of a user and/or assistant can be trapped between the device's parts during folding, unfolding or adjusting of the device. Be extremely careful when adjusting the device. Observe the dimensions of gaps between the device's parts to avoid trapping your fingers or other body parts.

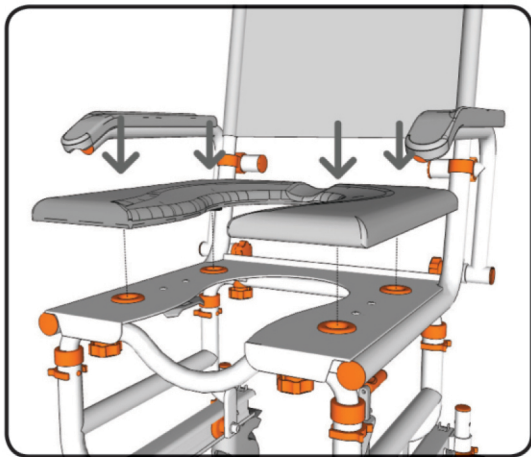
## step 6

Ensuring the correct orientation attach the seat cushion to the seat base by pushing the 4 locating lugs on the underside of the cushion into the connectors on the seat base.

Firmly press the cushion into position so that the 4 locating lugs are securely located in the connectors.

### **NOTE**

- To remove the cushion, carefully remove one lug at a time from the connectors until all 4 locating lugs are removed.

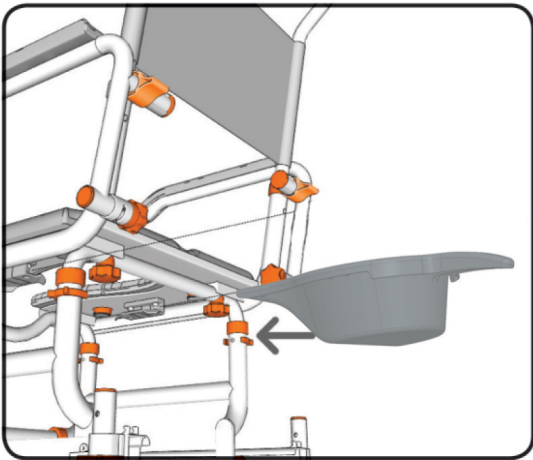


## step 7

Rotate the chair so that you have easy access to the underside of the seat base.

From the back of the chair slide the commode bucket into the 2 brackets on the underside of the seat base.

Ensure the commode bucket is pushed in far enough that the brackets securely hold the commode bucket in position. The commode bucket should be centred under the opening in the cushion.



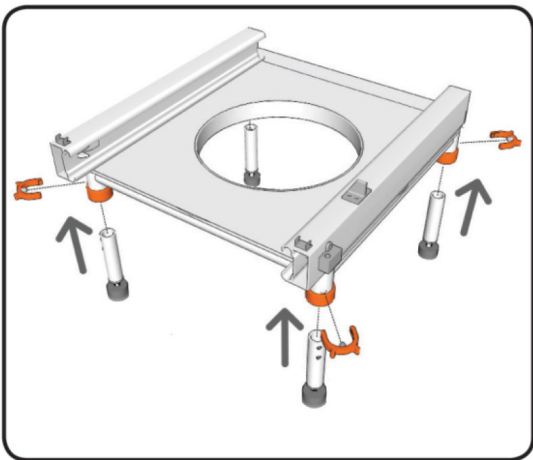
## step 8

Insert the rubber feet into the shower track.

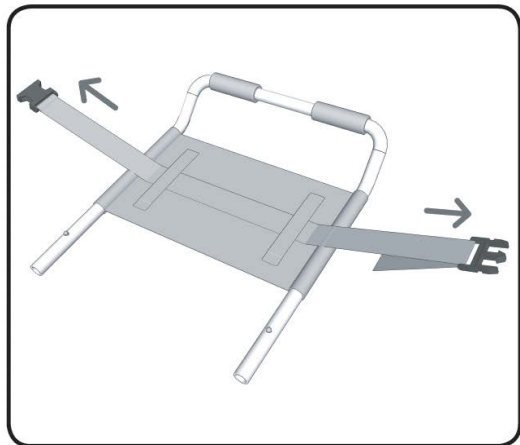
Secure each rubber foot at the required height using 1 small securing clip.

### NOTE

- Each height adjustment hole raises the shower track 1".
- Check to ensure all securing clips are fully inserted. Ensure all rubber feet are aligned at the same height.



## step 9

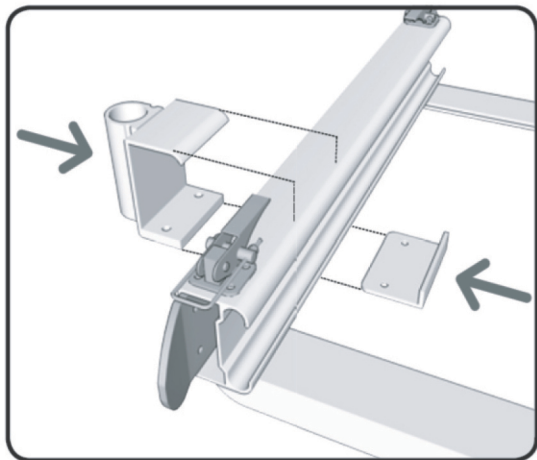


To attach the chest belt rotate the chair so that you have easy access to the back of the back rest.

Slide the chest belt through the 2 attachment loops on the back rest.

Before use adjust the length of the chest belt to suit the user.

## Bridge Support Bracket step 1



Attach the bridge support bracket to the bridge by sliding the 'U' shaped bracket over the bridge so that height adjustment tube connector is on the outside of the bridge.

Ensure the 'U' shaped bracket fits tight against the outside of the bridge track.

Slide the 'L' shaped bracket under the bridge from the inside so that it sits on top of the bottom piece of 'U' shaped bracket.

Slide this under the track until the bracket sits flush with the inside lip of the bridge track.

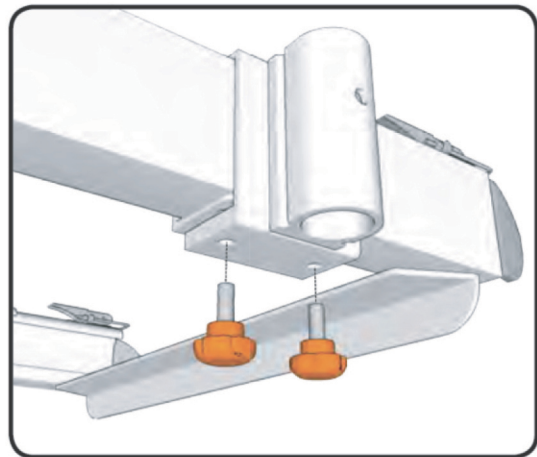
## step 2

On the underside of the 'U' shaped bracket there are 2 threaded holes.

Screw the provided knobs into the threaded holes until they secure both parts of the bracket in position.

Do not fully tight the knobs yet.

Repeat this process for both brackets so that there is a bracket on both sides of the bridge.

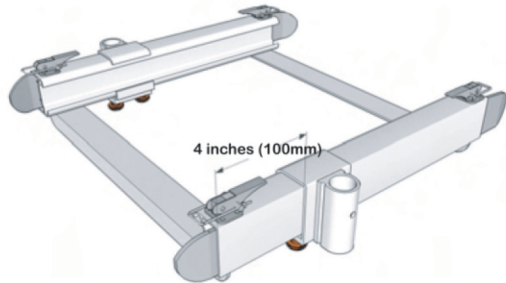


## step 3

Adjust the location of both brackets so that they are approximately 4 inches (100mm) from the end of the bridge.

Ensure the brackets are located on the end of the bridge which attaches to the shower base (this is the end of the bridge with the smaller attachment tongues).

Once both sides are adjusted to the correct position fully tighten the knobs on the underside of the bracket so that the bracket is securely held in position.



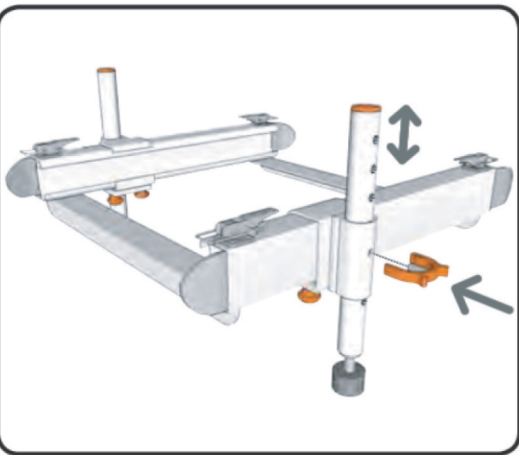
## step 4

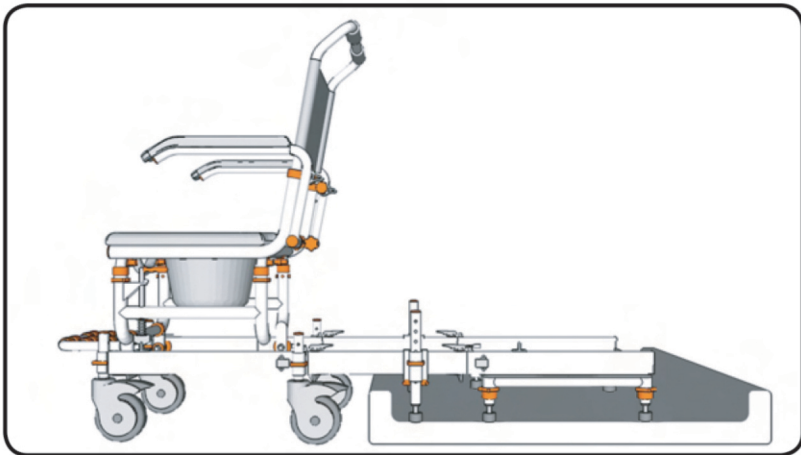
To adjust the height of the bridge remove the medium securing clip from the height adjustment tube connector and adjust to the required height.

For smaller adjustments screw the thread on the rubber foot up or down depending on which way the height needs to be adjusted.

### NOTE

- Each height adjustment hole raises the bridge track 1 inch (25mm).
- Check to ensure all securing clips are fully inserted.
- Ensure both height adjustment tubes are aligned at the same height.





## step 5

With the wheeled base, bridge and shower base securely connected together using the latches check that the entire length of the track is level horizontally.

Before continuing with the setup it is important to ensure that the tracks are level horizontally.

To do this adjust the height of the shower base up or down so that the track is level with the wheeled base. Do this while the wheeled base, bridge and shower base are all connected if possible.

Then adjust the height of the bridge height adjustment tubes up or down so that the bridge is level with the wheeled base and shower base track.

## step 1

## setup

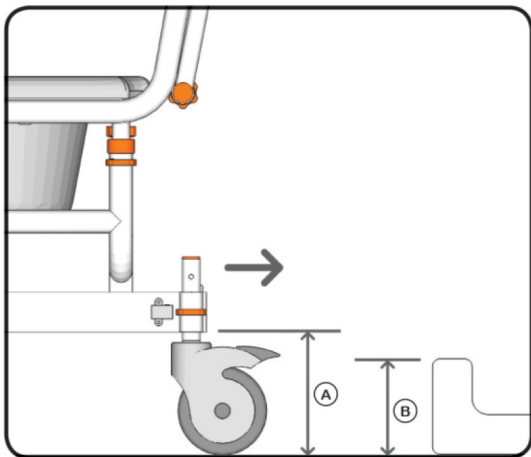
Align the back of your chair with the threshold of your shower.

Check to ensure that the height of the bottom of the wheeled track (A) is higher than the shower threshold (B).

If required the height of the wheeled track can be raised or lowered depending on the shower threshold height.

### NOTE

- Each height adjustment hole raises the wheeled track 1".



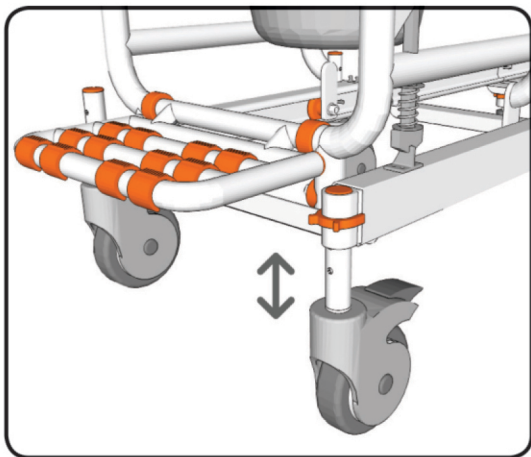
## step 2

If the bottom of the wheeled track needs to be raised to clear the shower threshold adjust the height of the castors.

To do this remove the medium securing clips from each castor. Adjust the height of the wheeled base to the required height and replace the medium securing clips.

### NOTE

- Each height adjustment hole raises the wheeled track 1".  
- Check to ensure all securing clips are fully inserted.  
- Ensure all castor wheels are aligned at the same height.

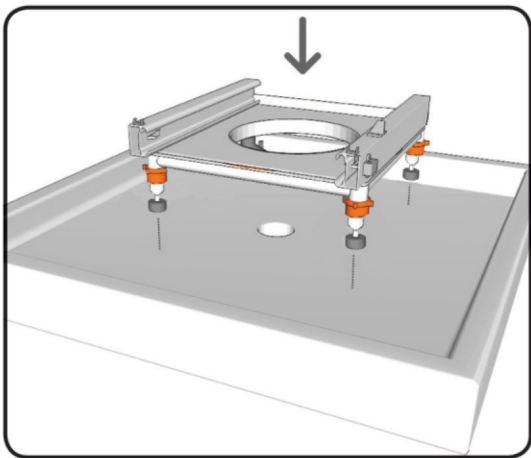


## step 3

Place the shower base into your shower stall.

### NOTE

- When positioning the shower base ensure it is located so there is enough room to allow the chair to rotate freely. Ensure the position of the shower base allows the chair to transfer without hitting the shower door or any other obstructions.

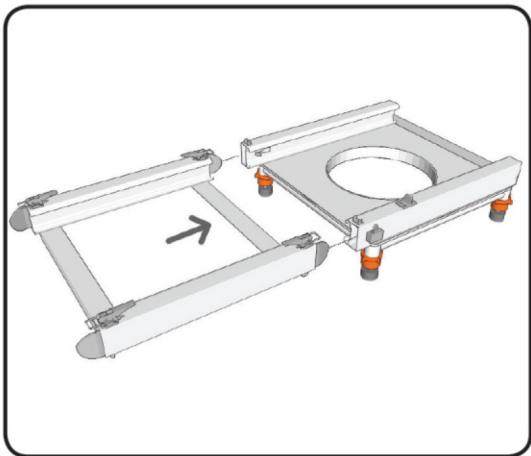


## step 4

Align the bridge with the shower base and insert the tongues into the shower base.

Firmly push the tongues on the bridge into the shower base so the secondary brakes are pushed out of the way.

Secure the bridge to the shower base using the 2 latches on the top of the bridge track.



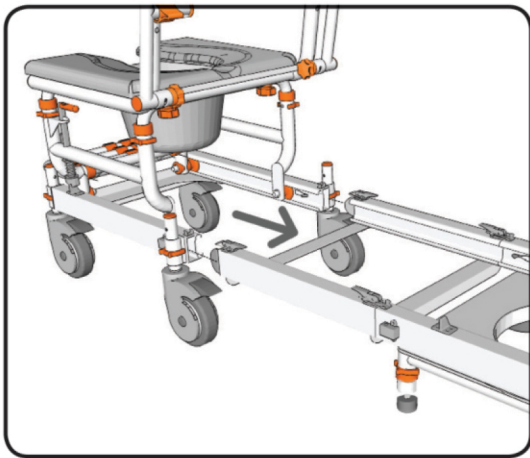


## step 5

Align the back of your chair with the bridge which is connected to the shower base.

Firmly push the wheeled base onto the tongues on the bridge so the secondary brakes are pushed out of the way.

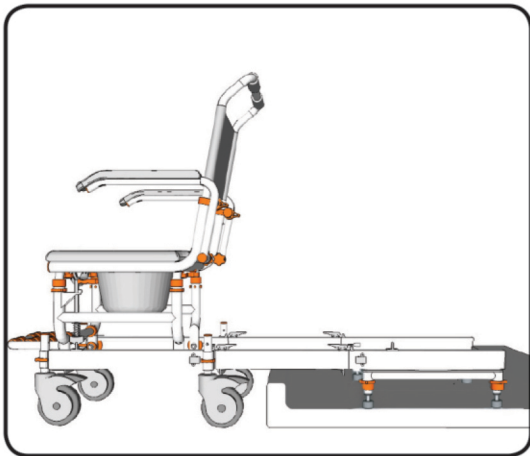
Secure the bridge to the wheeled base using the 2 latches on the top of the bridge track.



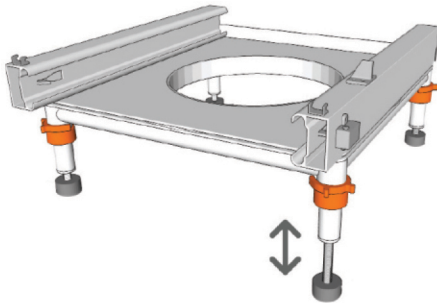
## step 6

The wheeled base, bridge and shower base should now be securely connected together using the latches.

Before continuing with the setup it is important to ensure that the tracks are level horizontally.



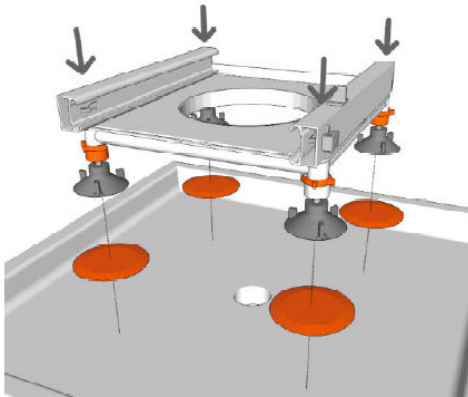
## step 7



If the tracks are not level horizontally, adjust the height of the shower base until the tracks are level.

To do this screw the thread on the rubber feet up or down depending on which way the height needs to be adjusted.

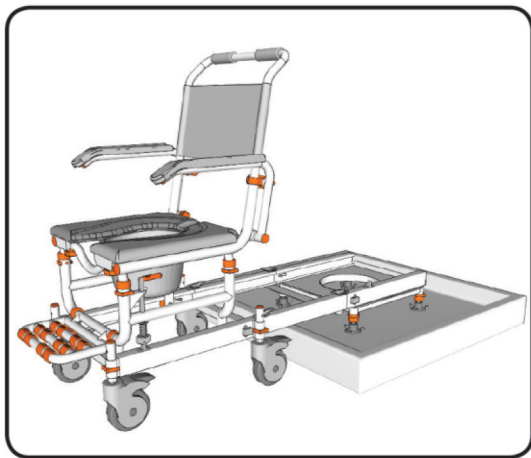
**NOTE** - The threaded adjustment is for micro adjustment only. Do not unscrew the thread more than 1" (25mm). If you require more height, raise the bath base track by adjusting the height adjustment tubes up or down.



### Note

**if the shower floor is tiled and a grout line is where the feet go, or is not a smooth surface, you may need Part#SD which are orange plastic discs to be adhered to the floor where the suction cup feet are located for better suction. We recommend using a STP Polymer Technology but check with your local hardware store for the correct product.**

## step 1



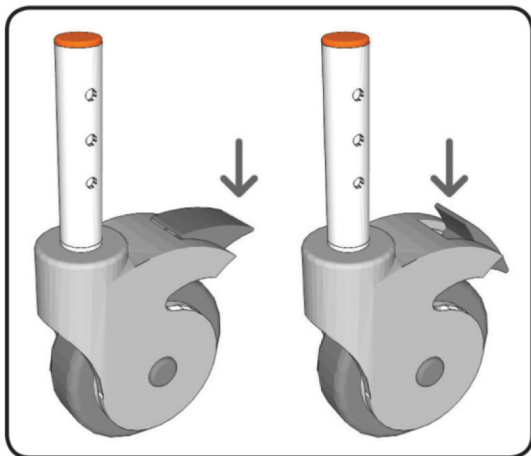
Wheel your Showerbuddy to your shower.

Securely attach the bridge to the shower base using the latches. Next securely attach the bridge to the wheeled base using the latches.

### NOTE

- Ensure all latches securely 'snap' into the locked position. Ensure you lock all castor wheels before beginning the transfer. Never attach the bridge to the shower base without the wheeled base attached.

## step 2



To lock the castor wheels press down firmly on the end of brake with your foot. This will lock the castor so that it will not move or rotate.

To unlock the castor wheels press down firmly on the front of the brake with your foot. This will allow the castor to move freely again.

### NOTE

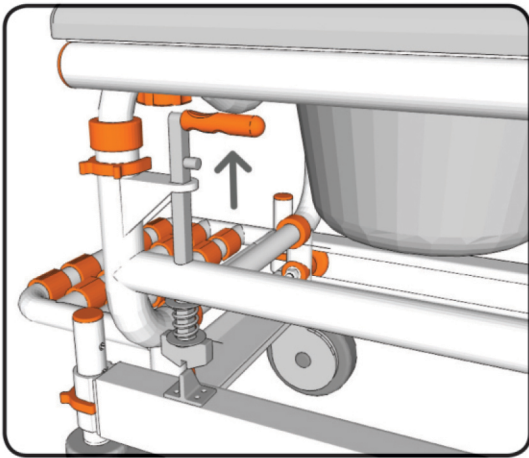
- The castor wheels should always be locked when performing transfers. The castor wheels can be rotated forward to make the chair more stable.

## step 3

With your Showerbuddy assembled you are now ready to transfer the chair into the shower.

Lift and hold the primary brake lever located on the right side of your Showerbuddy to release the chair.

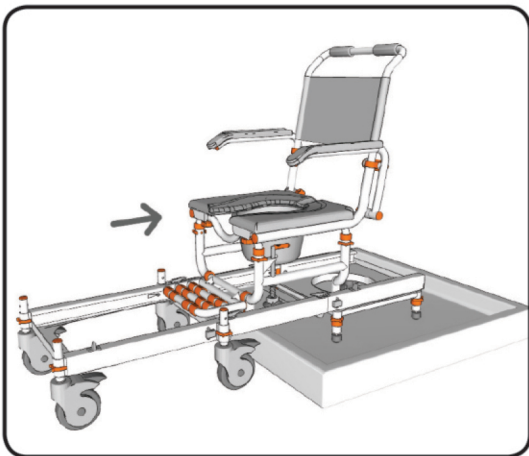
Once the chair has begun transferring you can release the primary brake lever. The lever will drop back into the correct position.



## step 4

Transfer your Showerbuddy from the wheeled base onto the shower base.

Ensure the chair is transferred all the way onto the shower base and primary brake clicks to secure the chair in position.



## step 5

With your Showerbuddy secured in position on the shower base remove the bridge and wheeled base.

Release the latches which connect the bridge to the shower base and roll the wheeled base and bridge away. If space is limited release the latches on the bridge to remove the bridge from the wheeled base.

### NOTE

- Never attach the bridge to the shower base without the wheeled base attached.

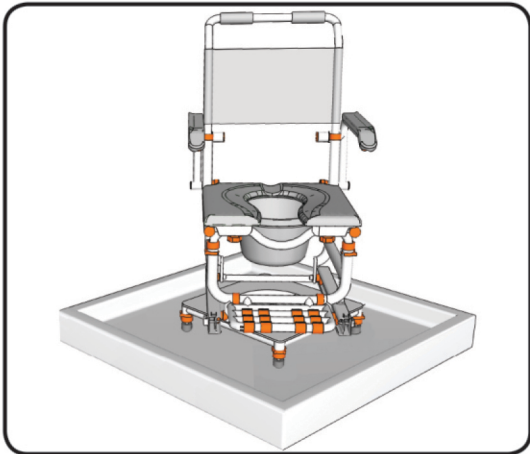
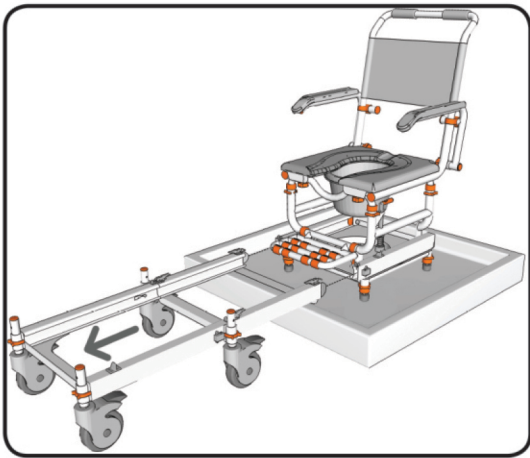
## step 6

Once the transfer to the shower base is complete and the chair is secured in position you can rotate your showerbuddy.

Hold the seat back and the front of the cushion and push to rotate the chair on the shower base.

### NOTE

- The chair will rotate a lot easier once the shower base is wet.



## step 7

Rotate the chair so that you can connect the bridge to transfer your Showerbuddy back to the wheeled base.

Reconnect the bridge to the wheeled base and secure in position with the latches then reconnect the bridge to the shower and secure in position with the latches.

### NOTE

- Ensure all latches securely 'snap' into the locked position.
- Ensure you lock all castor wheels before beginning the transfer.
- Never attach the bridge to the shower base without the wheeled base attached.

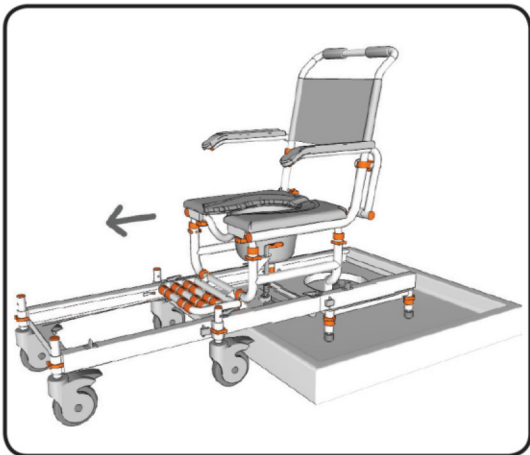
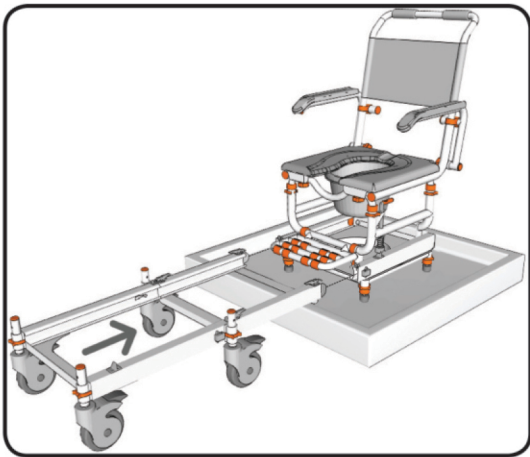
## step 8

Transfer your Showerbuddy from the shower base onto the wheeled base.

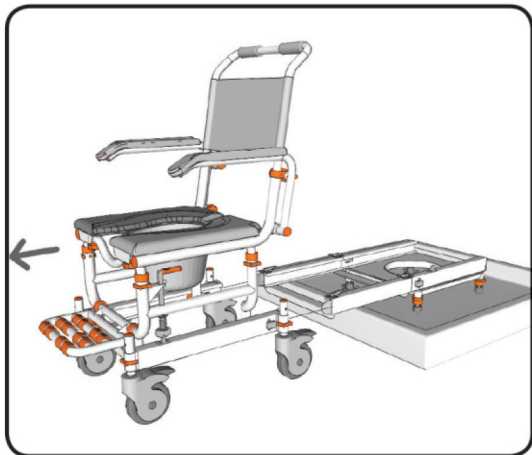
Ensure the chair is transferred all the way onto the wheeled base and primary brake clicks to secure the chair in position.

### NOTE

- Ensure all latches securely 'snap' into the locked position.
- Ensure you lock all castor wheels before beginning the transfer.



## step 9



Ensure the primary brake securely locks your Showerbuddy in position on the wheeled base before disconnecting the bridge.

Unlock the brakes on the castor wheels. Release the latches which connect the bridge to the wheeled base and roll the wheeled base away.

## Reuse

This medical device can be reused by another owner if the original owner of the product doesn't need it anymore. Before reuse the device must be carefully inspected by authorized technical staff.

Following elements should be checked:

- rigidity of the structure,
- tightness of bolts and nuts,
- condition of plastic elements,
- condition of wheels and ball bearings,
- efficiency and condition of brakes.

If any of above elements are torn or broken, they should be replaced with new parts. It is specially recommended to install new wheels, seat and backrest for every new user of the device. All loose bolts and nuts must be tightened. The product must be precisely cleaned and disinfected. Every new owner must receive the device with this user's manual attached.

**WARNING!** It is forbidden to reuse the device if the main frame is bent or broken.

## Disposal of Your device

The device should not be deposited with normal garbage. Your shower chair must be disposed according to applicable local and national statutory regulations. Contact your local waste disposal agency or authorized dealer of rehab equipment for information on proper disposal of the chair, packaging, metal frame components, plastic components and other materials.



# cleaning + maintenance

It is recommended that your shower chair is serviced annually by your Showerbuddy Dealer or an authorised, competent service agent, in addition:

1. Regularly inspect all parts of the chair for defects. Any defective part should be removed promptly.
2. Clean the seat using a damp cloth and a mild cleanser. Always read the manufacturers instructions prior to applying the cleanser.

When using Sodium Hypochlorite (Bleach) on the seat, a solution of 0.1% Sodium Hypochlorite should have no adverse effects on the cleaning of chairs. However, when using a solution of 1.0%, care should be taken to rinse the chairs thoroughly with clean water after application. Over a period of time bleaching may occur, but the integrity of the product will remain unaffected.

3. Dry off the shower chair after use.
4. Do not oil or grease any parts.
5. Keep the castors free from lime scale, soap residue and hair by cleaning after use in the shower.

## Caring for stainless steel.

Stainless steel has excellent corrosion resistance, but it is not stain or rust proof. Regular maintenance will keep stainless steel clean and free of contaminants. In most applications stainless steel will not rust or stain even after many years of service, but when used in certain environments such as concentrated chlorine or other corrosive elements stainless steel requires proper care and maintenance. Do not leave stainless in contact with iron, steel or other metals.

1. Clean stainless steel frequently with soap and water. Any cleaner safe for glass is usually safe for stainless steel; apply with a cotton cloth.
2. Use a coating such as a good wax to help safeguard the stainless steel.
3. Remove discolouration or rust spots as soon as possible with a brass, silver or chrome cleaner. Irreversible pitting will develop under rust that remains on stainless steel for any period of time. Apply a mild cleaner such as Ajax or an equivalent with a wet cotton cloth in the direction of the grain of the finish. Rinse thoroughly and wipe dry. Do not use abrasives such as sandpaper or steel wool on stainless steel.
4. Do not clean with mineral acids or bleaches.
5. Do not store near any chlorine product.

# (safety instructions)

## Safety Warning!

**Failure to comply with these safety instructions may result in injury or damage!**

It is important that the user(s), and/or the caregivers of the user(s), learn how to safely operate the Showerbuddy shower chair.

The following must be read before use of the Showerbuddy shower chair to ensure the safe operation of your Showerbuddy shower chair:

The User(s) Manual must be read and understood before using the Showerbuddy shower chair.

**If you don't understand any parts of the User(s) Manual, clarification should be sought prior to using the product.**

For further clarification of any part of the Showerbuddy User(s) Manual call your local dealer or visit the website below.

**[www.shower-buddy.com](http://www.shower-buddy.com)**

Transfers to and from the Showerbuddy shower chair can be dangerous. Consult a physical or occupational therapist to ensure safe and reliable transfer techniques are practiced. Individuals who have not learned these skills must have assistance during transfers.

Do not use the Showerbuddy shower chair for any application outside of the manufacturers intended use, this can result in damage to the shower chair and components. Not complying with the manufacturer's instructions can result in injury to the user(s) or caregiver. Showerbuddy will not be held responsible for any injury or damage resulting from the misuse or inappropriate operation of the Showerbuddy shower chair.

If any part of the Showerbuddy shower chair requires maintenance please don't hesitate to contact your dealer. Any problems that could affect the safe operation of the chair **MUST** be attended to immediately.

## Safety instructions:

The **MAXIMUM USER** weight for this Showerbuddy shower chair is: 350lbs (160kg)

**ALWAYS** ensure that your Showerbuddy shower chair is capable of maneuvering over the surfaces that will be encountered, prior to operating the shower chair with any user(s). This chair is only intended for use indoors, on flat surfaces, without thresholds, steps, curbs or obstacles.

**ALWAYS** lock the Showerbuddy shower chair 5" castor wheels when the chair is stationary. To do this step-on the levers which activates the wheel locks

**DO NOT** STAND or step on the footrest, as the chair will tip forward possibly causing injury to the User. The footrests are not load bearing and are not intended or designed as a step..

**DO NOT** lean forward or sideways out of the Showerbuddy shower chair as this may cause the chair to tip.

**DO NOT** wheel the Showerbuddy shower chair down an incline without a caregiver who can control the chair during its descent.

**DO NOT** use the Showerbuddy shower chair castor wheel locks as brakes when travelling down inclines.

**DO NOT** position the Showerbuddy shower chair sideways on a slope as this could cause it to tip.

## **Important!**

Although every effort has been made by the Showerbuddy team to ensure the stability of the Showerbuddy shower chairs during use, it is important to recognize that the most dangerous part of using any shower chair is the transfer. If you are unsure of how to perform transfers in a way that can be repeatedly performed safely, then contact a physical or occupational therapist who is familiar with transfer techniques and options.

The wheel locks on the castors are designed to prevent the castor wheels from rotating when the shower chair is stationary in use. These **DO NOT** and **CANNOT** prevent the wheels from sliding if the floor is slippery. A slippery floor can be caused by dust, water, soap or any substance that doesn't allow the tires (tyres) to grip. Transfers should never be attempted with the Showerbuddy shower chair positioned on slippery surfaces since the wheel locks can only prevent the wheels from rotating. It is recommended that transfers be performed on clean, dry non slippery surfaces.

**Transferring onto a Showerbuddy Shower Chair** – always lock all castors in their outward position (front castors positioned in the forward and out position / rear castors positioned to the rearward and out position) for maximum chair stability.

Never use the foot rests to assist with transfers. This could cause the chair to tip forward. The footrests should be swung away or removed entirely during transfers to provide unobstructed access to the shower chair.

The fasteners – the nuts, bolts, washers – should be checked periodically to ensure that they are securely fastened. All nuts used on your Showerbuddy shower chair are lock nuts. Lock nuts that are removed for any reason should be replaced rather than re-used. Your dealer should be called to check the fasteners and other components at least once per year.

All Showerbuddy shower chairs are supplied with chest and lap restraining straps which ensure the correct and safe operation of the shower chair for both the user(s) and the caregiver. It is important that these straps are used every time the shower chair is operated. Please contact your local dealer for a detailed list of straps available as optional accessories. Your Showerbuddy shower chair is equipped with fitting points so that these can be easily and effortlessly attached.

## Important!

### ADJUSTMENTS SHOULD NEVER BE ATTEMPTED WITH THE USER(S) IN THE CHAIR!

Your authorized Showerbuddy dealer can help you with any adjustments you may want to make on your Showerbuddy shower chair or can provide clarification on any of the information contained herein.

All castor wheel shafts must be adjusted to the same height. Never attempt to change the frame angle by changing the castor position. If the castor wheels are uneven this will cause the chair's stability to be compromised and may result in tipping.



### How to lift the chair

Lift the wheelchair up using the push handles and the front upper corners of the wheelchair frame, where the footrests are placed.

**WARNING!** It is not allowed to lift the wheelchair up by gripping the footrests or armrests! We recommend to detach footrests before lifting the chair

# warranty information

## SHOWERBUDDY WARRANTY

### CHAIR FRAME

- Lifetime warranty against corrosion of Structural Frame parts.
- 2-year warranty against manufacturing defects of original parts.

### ALL OTHER COMPONENTS

- 1-year warranty against manufacturing defects of original parts.

### WARRANTY CONDITIONS

- The Warranty period starts from the customer purchase date and ends as above.
- Any claim made must include the chair serial number, image of the problem and proof of purchase by the customer.
- Any claim should be submitted to the retail store or mobility equipment supplier from where the chair was purchased. If the store is unable to service the chair, and the above conditions have been adhered to, parts will be provided by Showerbuddy directly to the chair owner with freight payable by the owner.

## **INTENDED USAGE:**

The Showerbuddy shower/commode chair is a medical device indicated for use by persons with limited mobility who are unable to stand, walk and/or seat independently. The device is specifically designed for individuals who require additional support and stability during washing, toileting and other hygienic activities. It is a class 1 medical device, which is intended to be used only as a seating option for toilet issues, showering and bathing. Its purpose is to help physically handicapped people during their hygienic activities. Any other use is prohibited.

## **INDICATIONS:**

The device is specifically indicated for individuals who (because of the wide variety of possible health problems) are unable to stand and [or walk and so they need an assistance device to maintain some or all daily hygienic tasks.

## **CONTRADICTIONS:**

This type of device must not be used by a disabled person alone. The user should always be accompanied by a caregiver or assistance person. The device is not recommended for persons with flaccid paralysis or other diseases that cause serious body control problems. Such persons require special wheelchairs designed for extra stability and support of the user's body. The need for this type of specialty wheelchair should be always estimated and indicated by a physician or a physical therapist.

**WARNING** — Included in this packaging and fitted to the Showerbuddy chair are small parts, plastic wrap and polystyrene packing that could be dangerous to children under 5.

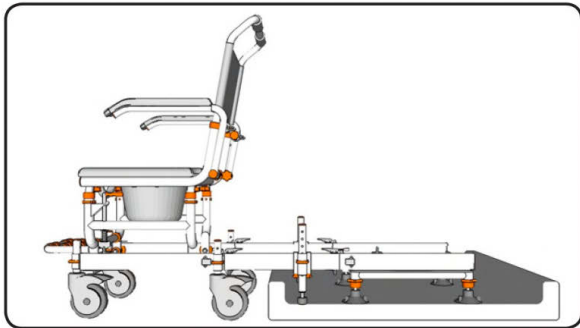
Keep children away from this device and do not let them play with any parts. It must be kept away from children under 5 years old.



Be careful! Fingers or other body parts of a user and/or assistant can be trapped between the device's parts during folding, unfolding or adjusting of the device. Be extremely careful when adjusting the device. Observe the dimensions of gaps between the device's parts to avoid trapping your fingers or other body parts.

As a final check before use:

*It is **important** to ensure that the tracks are level horizontally before you use the chair to transfer into the shower.*



***And that you have fitted the Bridge Support Legs.***

Remember – Do Not transfer or slide the chair unless all 3-components of the Chair – Bridge – Shower Base are connected together.

***Never slide the chair unless all 3 parts are connected.***

**International Office**

**Showerbuddy New Zealand Ltd**

**Wellington 6021**

**New Zealand**

**For all enquiries**

**Email: [admin@shower-buddy.com](mailto:admin@shower-buddy.com)**

**[shower-buddy.com](https://shower-buddy.com)**

**shower**buddy**®**

**ACCESS YOUR BATHROOM WITHOUT A REMODEL**

**Designed in  
New Zealand**



All ShowerBuddy products are CE, TUV, ISO9001 and TGA certified and comply with AS-NZS 3973.  
Copyright © 2023 by Showerbuddy New Zealand Ltd, New Zealand. [eadmin@shower-buddy.com](mailto:eadmin@shower-buddy.com)

All rights reserved