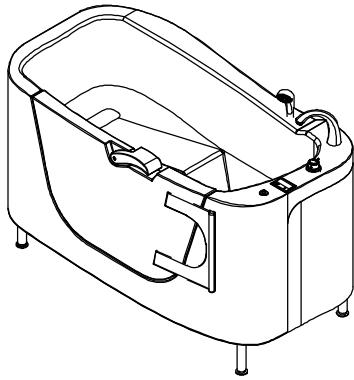
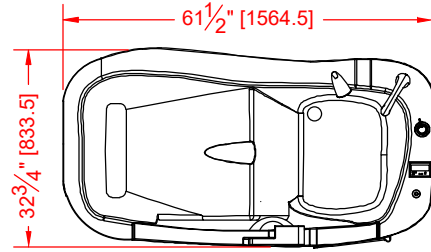


# MODEL: RK12E ERIE

\*ALL ACCESSORIES OPTIONAL



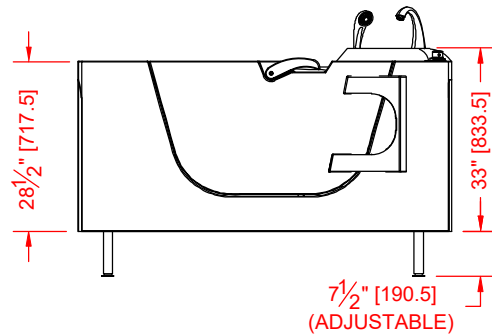
**PERSPECTIVE VIEW - N.T.S.**  
**MODEL SHOWN HERE AS:**  
 LEFT SEAT  
 RIGHT DRAIN  
 (Right hand model only)



**TOP VIEW - SCALE  $\frac{3}{8}$ " = 1'-0"**

## Features:

- Walk in style bathtub with an outward right swinging door
- KEYLOCK™ Design unique handle prompting door compression and water tight seal
- Hot & Cold Water Supply Connections: 3/4" NPT - male
- TMV Thermal mixing valve, access from top
- Optional front valve and side valve configurations.
- Factory installed overflow
- Drain Outlet: 1 1/2"
- Seat height is designed for ease of transfer from wheelchair/walker
- Optional air spa
- Paricare void
- Reverse plumbing capable
- Temperature readout on tub and shower wand



**FRONT ELEVATION - SCALE:  $\frac{3}{8}$ " = 1'-0"**

## PRODUCT SPECIFICATIONS:

-Professional healthcare walk-in soaker or therapy bathtub shall be of gelcoat/composite construction with aircraft grade aluminum welded frame, have a front access panel, a cable drain with safety chain, KEYLOCK™ Design unique handle prompting door compression and water tight seal  
 -Rough-In: Stud opening +1/4" -0" Nominal Dimensions.

C.S.I. FORMAT SPECIFICATION TEXT AVAILABLE

### PRODUCT INFORMATION:

- Accessories: factory installed tub bar and optional plumbing rough-in, all other accessories installed by others
- Colors: White standard
- Total weight of soaker tub, bather, and water: approx. 925 lbs.
- Weight capacity (occupant): 600 pounds
- 4 adjustable feet from 0" to 2"
- Bathwell Capacity (unoccupied - at overflow level): 48 gallons; water depth 21 1/2" from tub floor
- KEYLOCK™ Design unique handle prompting door compression and water tight seal

### OPTIONAL ACCESSORIES:

- INSTALLED AT FACTORY:**
- CleanRane™ air spa
  - Lap & Shoulder Harness fittings
  - Secondary safety latch
- INSTALLED BY OTHERS:**
- Head pillow with suction cups
  - Gel pillow
  - Gel seat cushion
  - 3/4" supply lines (3' or 5' available)
  - Disinfection cabinet

### CODES:

Designed and manufactured in compliance with the following standards and codes:

- C.S.A. B45.5-10 / A.N.S.I. Z124-2011 Plastic Plumbing Fixtures
- A.S.M.E. A112.19.7M-1995 Whirlpool Bathtub Appliances
- A.S.M.E. A112.19.8M-1987 Suction Fittings for use in Whirlpool Bathtubs
- Underwriters Laboratories 1795 Hydro Massage Bathtubs

### NOTICE OF LIMITATION:

Compatible with most lifts (floor/ceiling) please see manufacturer for dimensions.



*We reserve the right to make revisions without notice in the design of fixtures or in packaging unless this right has specifically been waived at the time the order is accepted.*