

Free Standing Tub



1 Determine final location and review framework for the tub. Rough-in plumbing and electrical hook-up must meet building codes and regulations. Please review space requirements for lifting devices.

2 Remove all packing material and cardboard packaging from tub. Set aside the accessory box which is located underneath or inside the tub. Remove the tub from the pallet.

3 Move the tub into the final location. Use a level across the back and side of the tub. If adjustment is needed, level the unit by turning the adjustable legs to raise or lower the tub. See picture below for more information.

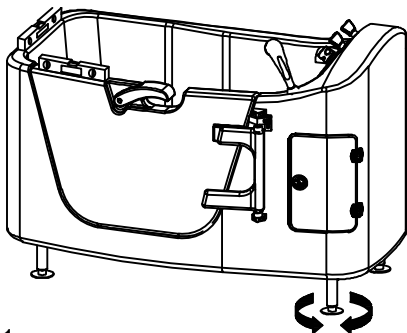


Figure 1

4 Before hooking up the two 3/4 water lines, clean the main hot and cold water supply lines of debris prior to connection. Valves, shower wand, and accessories may become clogged and or damaged if the lines are not free of debris. Make sure that the screens are present and the hoses are not kinked or bent after hookup. The threaded connections are NOT "hose thread", but rather "National Pipe Thread" (NPT).

***The warranty does not cover damage caused by debris in the lines.**

5 Connect the hot and cold water hoses, drain, and electrical connection. Double check all connections for proper fit and installation.

! Make sure the unit is level prior to fastening to the floor. Do not over tighten the floor connections. This could cause the unit to become un-level.

! If mobile lifts are used for transferring, verify that the lift base clears the plumbing and electrical connections. If possible damage could occur, you must install blocking or a stop to prevent contact between the lift base and the plumbing and electrical connections.

6 Once unit has been leveled, have a plumber rough in the plumbing to the drain and overflow. Make sure the tub drains properly by pouring water in it.

***DO NOT COMPLETELY FILL TUB AT THIS TIME**

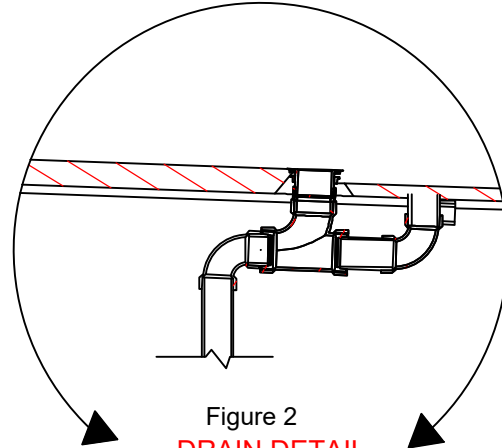


Figure 2
**DRAIN DETAIL
NOT TO SCALE**

Post Drain Assembly:

7 Attach any accessories, including shower wand and disinfectant hose assembly (Concealed inside tub and able to be pulled out)

8 If air spa is included, plug in the electrical cord into the GFCI outlet.

9 Thoroughly clean out tub with non abrasive cleaner and rinse to ensure no debris is left in the unit. failure to do so may cause damage to the air spa system. test the tub for proper operation and ensure there are no leaks.

10 After the tub has been tested for proper function, remove any installation labels and directions.

! The thorough inspection and startup of the tub is required before first use. It is the installer's responsibility to check and tighten threaded and drain connections before using tub.

! To prevent abnormal wear or damage to door seal, door is to be stored on the open position when not in use. After each use clean and wipe down unit. Failure to follow these installation instruction may void warranty.