

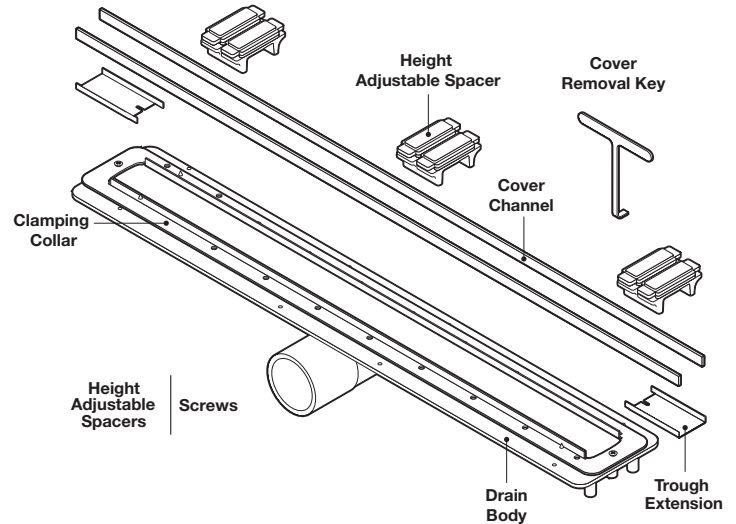


# PVC2430D15-SWO, PVC2430D20-SWO, \*PVC3240D20-SWO TECHNICAL SPECIFICATION

Job Name _____	Item # _____
Location _____	
Engineer _____	Contractor _____
PO # _____	Tag _____
Representative _____	

## DESCRIPTION

- Most important special feature is the internally sloped trough. This feature is a key to no stagnant water sitting in the trough at any time and eliminates hard water build up
- Length adjustability of drain body with use of trough extensions (5" for each side, 10" total) to accommodate drain sizes from 24" – 72"
- Height adjustability of drain cover with use of spacers for different thicknesses of finish material from 3/8" to 3/4"
- Compatible to the following kinds of waterproofing: topical sheet waterproofing (QTS, Kerdi™, Noble TS™), topical liquid waterproofing (AquaDefense™, RedGard™, Hydro Ban™, Ardex 8+9™), hot mop, PolyVinyl Chloride (PVC) vinyl liner, rubber liner, Chlorinated PolyEthylene (CPE)
- Drain capacity for 2" outlet is 12 GPM in a shower pan with curb and 5 GPM in a shower pan without a curb at the entry. For 1.5" outlet it's 9 GPM and 3.5 GPM. (The actual volume is limited by the plumbing lines and P-trap).



## DRAIN ASSEMBLY INCLUDES

- PVC Parts: Drain body (1), Height Adjustable Spacers\*
- 304 Stainless Steel Parts: Clamping collar (1), Cover Channel (2), Trough Extension (2), Screws\*
- Other: Cover Removal Key (2)



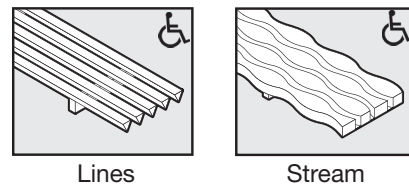
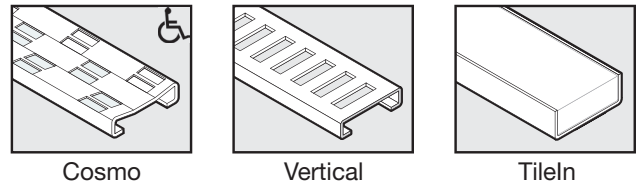
\*See chart for part quantities of different drain lengths.

## REQUIRED PART (NOT INCLUDED)

- Drain Cover: Available in the designs below and in these lengths: 32", 40", 48", 56", 64", and 72"
- QTS waterproofing sheet

## APPROVALS AND LISTINGS

Before installing QuickDrain USA system, check with your local building department/plumbing inspector to ensure compliance with the local building codes. QuickDrain USA LLC is not responsible for any conflicts with local building codes. QuickDrain USA LLC is not responsible for improper installation of any part of the assembly or the waterproofing membrane. Dimensions are subject to manufacturer's tolerance and can change without notice.



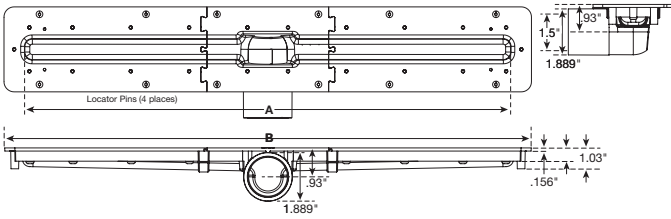
MODEL NUMBER	HEIGHT ADJUSTABLE SPACERS	SCREWS
PVC2430D15-SWO, PVC2430D20-SWO	4	22
PVC3240D20-SWO	4	26

Access BIM/Revit content through [www.quickdrain.com](http://www.quickdrain.com)



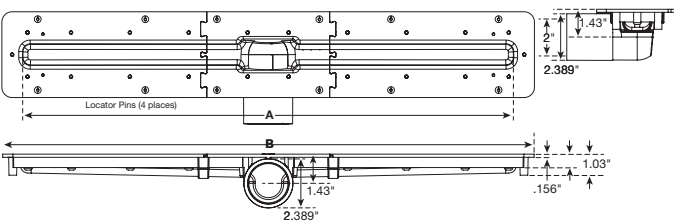
# PVC2430D15-SWO, PVC2430D20-SWO, \*PVC3240D20-SWO TECHNICAL SPECIFICATION

## DIMENSIONS (1-1/2" SIDE WASTE OUTLET)



MODEL	A	B
PVC2430D15-SWO	24"	26"

## DIMENSIONS (2" SIDE WASTE OUTLET)

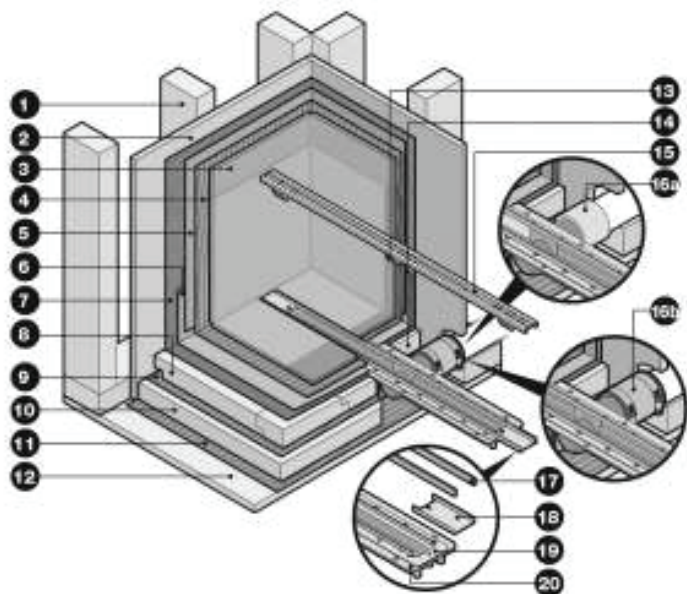


MODEL	A	B
PVC2430D20-SWO	24"	26"
PVC3240D20-SWO	32"	34"

## INSTALLATION NOTES

- Drain body can not be cut, but can be extended with use of trough extensions.
- Drain cover can be cut on site to fit wall to wall (curb) installation!
- Cutaway illustration (shown) is sheet waterproofing with foam panel installation. **For different types of installations, please see other cutaway illustrations at [www.quickdrain.com](http://www.quickdrain.com)**

- 1 Stud wall
- 2 Backer board
- 3 Wall tile and grout
- 4 Thin-set (for wall tile)
- 5 Sheet wall waterproofing
- 6 Sheet shower pan waterproofing
- 7 Thin-set
- 8 Pre-sloped interlocking PET foam panels
- 9 Thin-set
- 10 Flat foam panel
- 11 Thin-set
- 12 Sub-floor
- 13 Height adjustable spacer
- 14 Pre-sloped interlocking drain support frame
- 15 Drain cover
- 16a PVC-to-PVC connection
- 16b Shielded no-hub coupling
- 17 Cover channel
- 18 Through extension
- 19 Clamping collar
- 20 Drain body



Access BIM/Revit content through [www.quickdrain.com](http://www.quickdrain.com)