



HH – 2200 Series

## Corner Shelf

Stainless steel screws for wood backing and 4 hollow wall togglers included with every bar!

Corner  
Shelf  
Grab Bar

### Application Use:



### Specifications

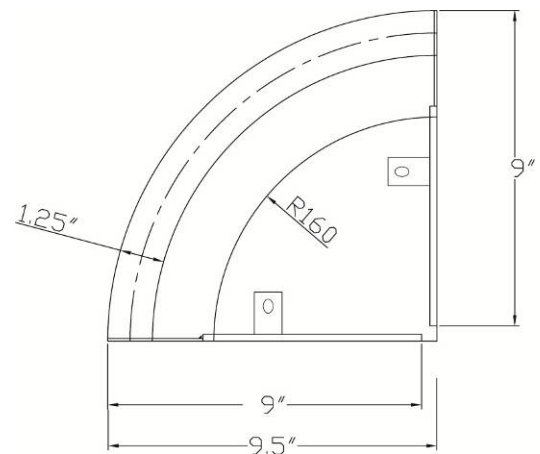
The Corner Shelf Grab Bar is manufactured using high quality 18 gauge 1.25" diameter 304 stainless steel. 4 convenient mounting holes allow for easy installation and preserving the clean finished look. 4 hollow wall togglers included with every bar. The Bilanx Bathing Collection has been designed, built, and tested to 500lbs exceeding HUD, FHA, VA, ADA, ANSI and other federal, provincial, and local codes. \*Grab Bars can only be as strong as what they are mounted to. It is imperative when installing any safety product to consult with a qualified contractor to insure you have the sufficient installation.



## The Bilanx Bathing Collection

All Corner Shelf Grab Bars ship complete with easy to follow instructions, mounting hardware for stud framing and hollow walls. The Bilanx Bathing Collection has been designed, built and tested to 500lbs. The Corner Shelf Grab Bar comes in 3 standard finishes.

HH-2200PS	POLISHED STAINLESS
HH-2200BS	BRUSHED STAINLESS
HH-2200ORB	OIL RUBBED BRONZE



Dimension tolerances +/- 3/16"

Buy ONLINE at [ezable.com](http://ezable.com)  
<https://ezable.com/corner-shelf-integrated-grab-bar-bilanx-collection/>  
 877-392-2531