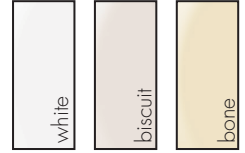
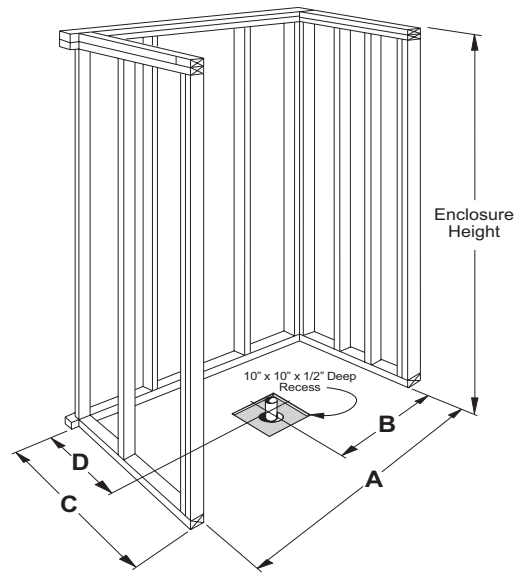
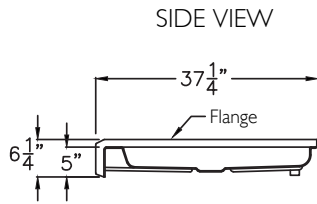
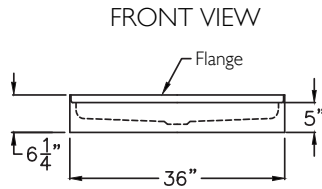
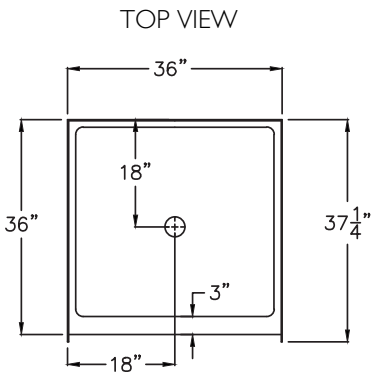


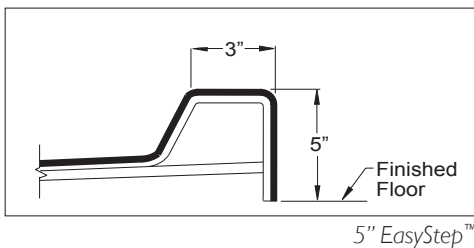
AcryIX™ APPLIED ACRYLIC shower bases



G 3636 SH PAN 36" x 36" x 6"
 AcryIX™ shower base with EasyStep™ 5" threshold.
 HANDED center drain
 WEIGHT 60
 CODES IPC, UPC, ANSI Z 124.2



CENTER DRAIN	A	B	C	D
G 3636 SH PAN	36 1/4"	18 1/8"	37 1/4"	18"



upgrade to SOLID SURFACE

Solid Surface is available as an upgrade to standard AcryIX™ and has a lifetime warranty.

