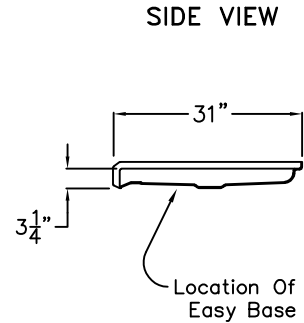
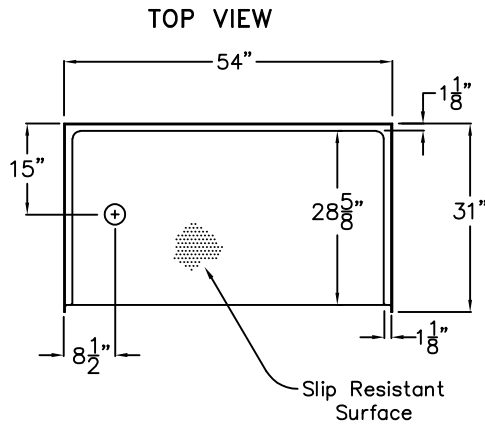


Comfort Series

SUBMITTAL DATA © 2002



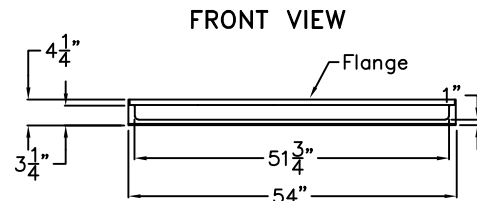
Shower Pan

This shower pan shall be Model EZAP 5430 BF 1.0 right or left drain. Finished surface shall be of sanitary-grade applied acrylic. The unit shall have outside dimensions of 54" x 31" x 4 1/2". The unit shall meet ANSI Z124.1.2, and CSA B45.5-11.

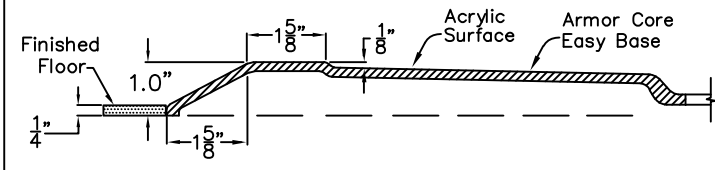
The enclosure shall be equipped with the following factory installed accessories:

- 1) Left or right drain location,
- 2) Armor Core Easy Base,
- 3) 1.0" change of level threshold.

NOTE: DUE TO THE COMPACT SIZE OF THIS PRODUCT, THE INTERIOR DEPTH DOES NOT COMPLY WITH IRC, IPC, AND UPC CODES.



Detail of 1.0" Threshold



DUE TO THE NATURE OF THE MATERIALS INVOLVED UNIT DIMENSIONS MAY VARY ± 1/2 INCH

Job Name:	EZABLE		
Approved by Print Name:	Drawing#: EZAP 5430 BF 1.0 Easy Base Pan		
Approved by Signature:	Date:	Date: 3-31-09	Revised: 9-12-19
Rep.:	Wholesaler:	Quote No.	