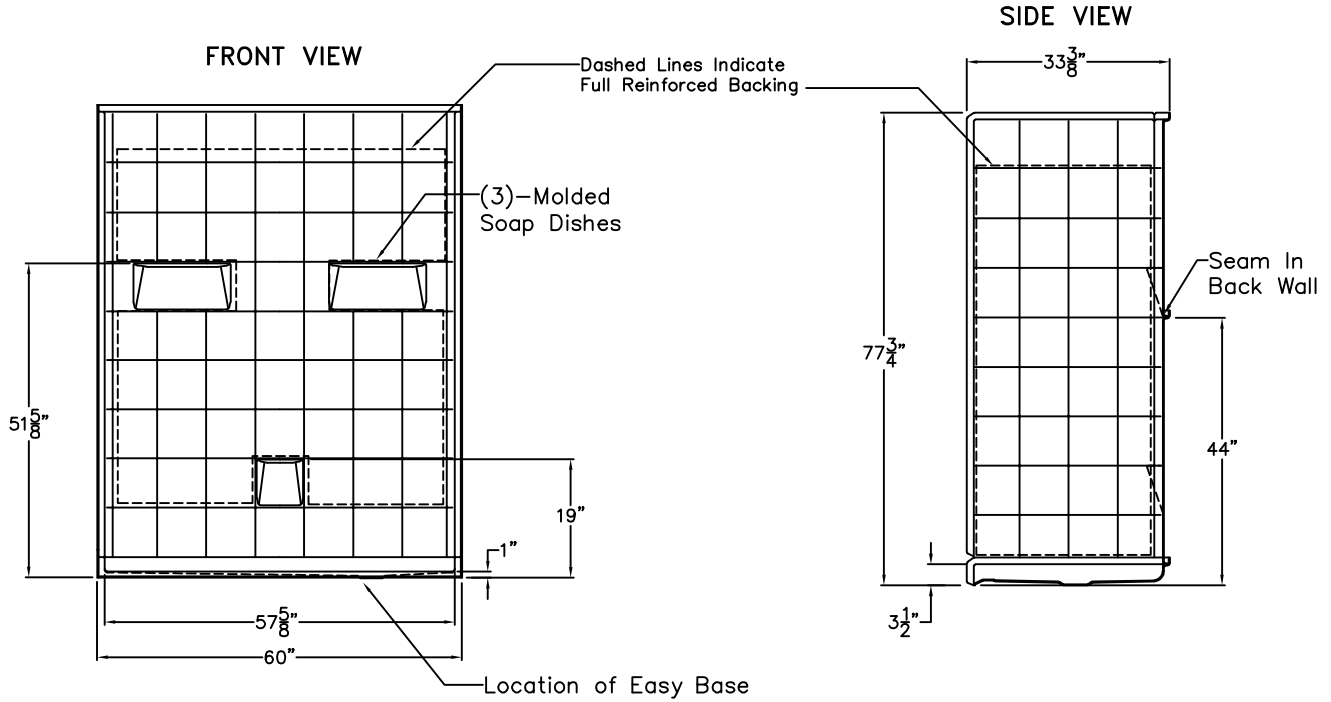
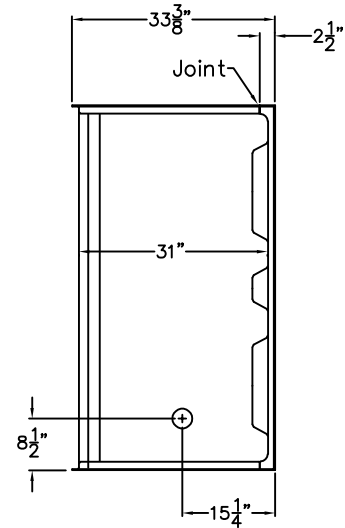


Comfort Series

SUBMITTAL DATA © 2002



TOP VIEW



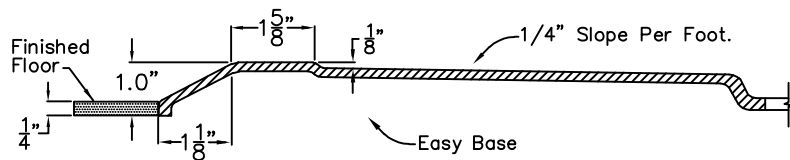
Sectional Shower

This shower enclosure shall be Model 6033 BF 5P 1.0 left or right drain location. Finished surface shall be of sanitary-grade applied acrylic. The unit shall have outside dimensions of 60" x 33 3/8" x 77 3/4". The unit shall meet IAPMO Z124-2011, and CSA B45.5-11.

The enclosure shall be equipped with the following factory installed accessories:

- 1) Molded soap ledges,
- 2) Molded lower ledge on back wall,
- 3) Tile finish,
- 4) Five piece sectional design,
- 5) Full reinforced backing on all walls,
- 6) Factory installed Armor Core Easy Base,
- 7) Left or right hand drain location,
- 8) 1.0" threshold.

Detail of 1.0" Threshold



DUE TO THE NATURE OF THE MATERIALS INVOLVED
UNIT DIMENSIONS MAY VARY ± 1/2 INCH

Job Name:

EZABLE

Approved by Print Name:

Drawing#: EZA 6033 BF 5P 1.0 FWB
Easy Base

Approved by Signature:

Date:

Date: 3-31-09

Revised: 4-30-20

Rep.:

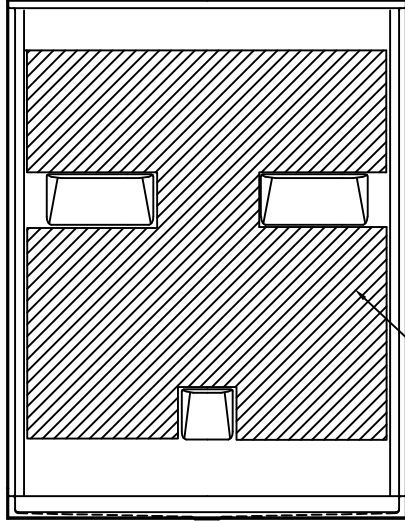
Wholesaler:

Quote No.

Backing Placement Drawing

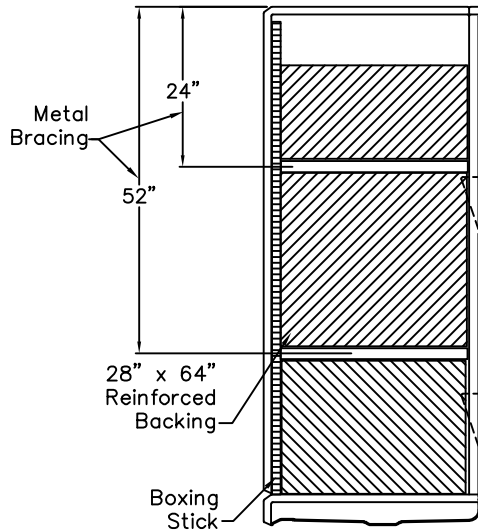
SUBMITTAL DATA © 2004

FRONT VIEW

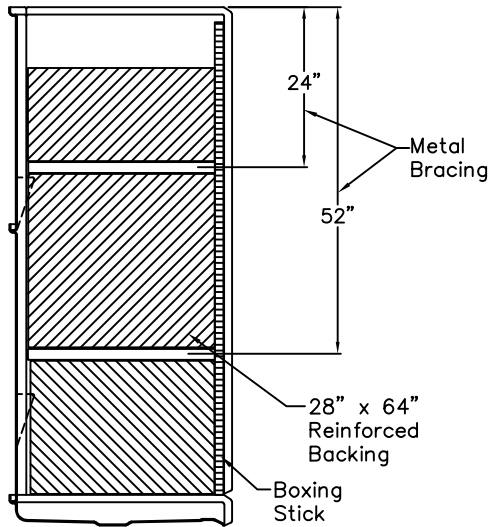


54" x 58"
Reinforced
Backing

SIDE VIEW



SIDE VIEW



DUE TO THE NATURE OF THE MATERIALS INVOLVED
UNIT DIMENSIONS MAY VARY ± 1/2 INCH

Job Name:

EZABLE

Approved by Print Name:

Drawing#: EZA 6033 BF 5P 1.0 FWB
Easy Base-BP

Approved by Signature:

Date:

Date: 3-31-09

Revised: 4-30-20

Rep.:

Wholesaler:

Quote No.: