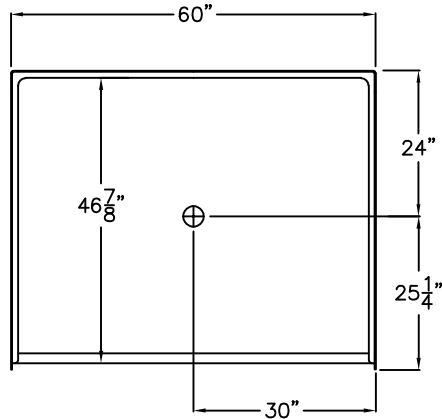


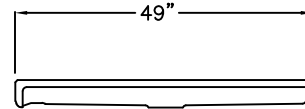
# Comfort Series

## SUBMITTAL DATA © 2002

TOP VIEW



SIDE VIEW



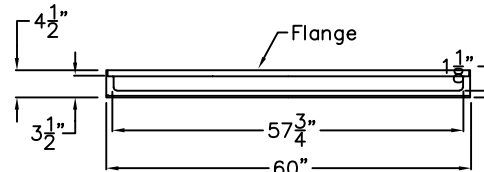
### Shower Pan

This shower pan shall be Model EZAP 6048 BF .875 center drain. Finished surface shall be of sanitary-grade applied acrylic. The unit shall have outside dimensions of 60" x 49" x 4 1/2". The unit shall meet ANSI Z124.1.2, and CSA B45.5-11.

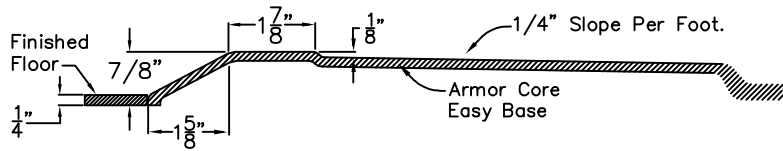
The enclosure shall be equipped with the following factory installed accessories:

- 1) Center drain location,
- 2) Factory installed Armor Core Easy Base,
- 3) 7/8" Threshold.

FRONT VIEW



### Detail of 7/8" Threshold



DUE TO THE NATURE OF THE MATERIALS INVOLVED  
UNIT DIMENSIONS MAY VARY ± 1/2 INCH

Job Name:	EZABLE		
Approved by Print Name:	Drawing#: EZA 6048 BF .875 Easy Base Pan		
Approved by Signature:	Date:	Date: 3-31-09	Revised: 9-12-19
Rep.:	Wholesaler:	Quote No.	