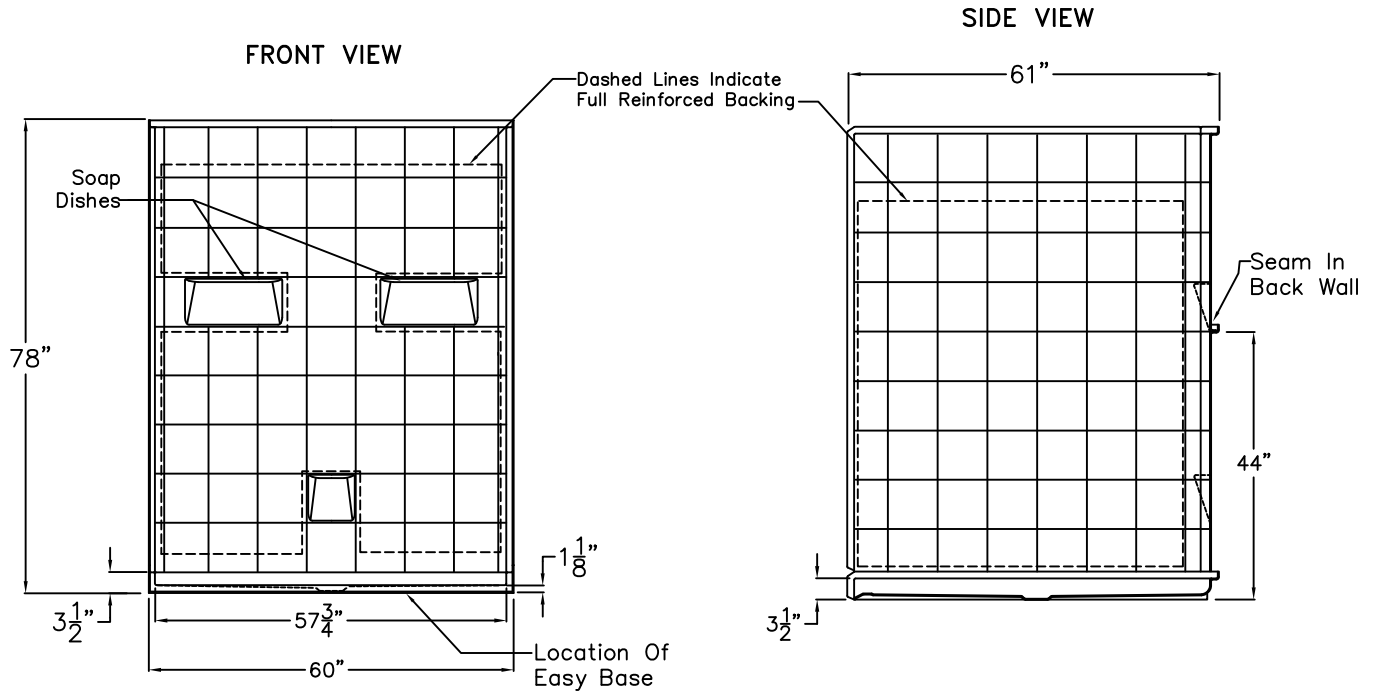


Comfort Series

SUBMITTAL DATA



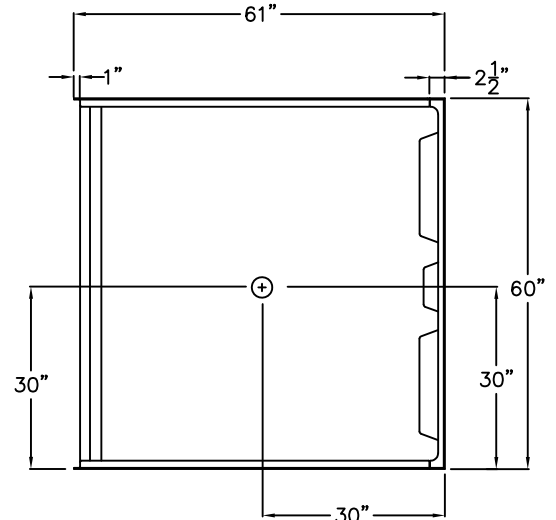
Sectional Shower

This shower enclosure shall be Model EZA 6060 BF 5P 1.125 center drain location. Finished surface shall be of sanitary-grade applied acrylic. The unit shall have outside dimensions of 60" x 61" x 78". The unit shall meet IAPMO Z124-2011, and CSA B45.5-11.

The enclosure shall be equipped with the following factory installed accessories:

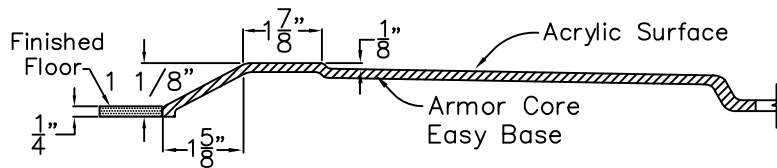
- 1) Molded soap ledges,
- 2) Molded lower ledge on back wall,
- 3) Tile finish,
- 4) Five piece sectional design,
- 5) Full reinforced backing on all walls,
- 6) Factory installed Armor Core Easy Base,
- 7) Center drain location,
- 8) 1 1/8" threshold.

TOP VIEW



DUE TO THE NATURE OF THE MATERIALS INVOLVED
UNIT DIMENSIONS MAY VARY ± 1/2 INCH

CROSS SECTION OF THRESHOLD

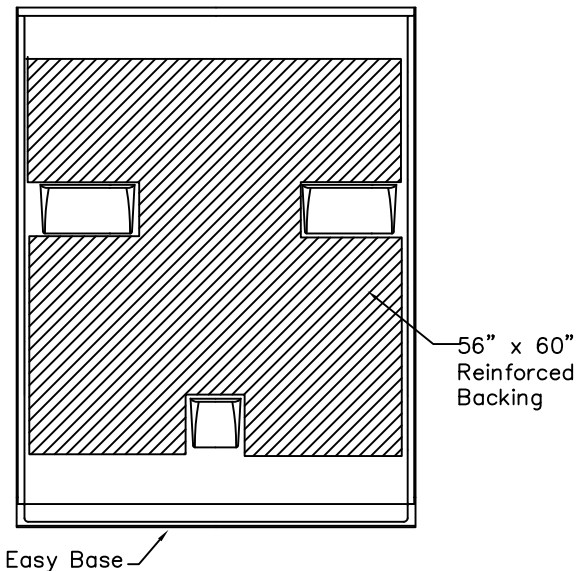


Job Name:	EZABLE
Approved by Print Name:	Drawing#: EZA 6060 BF 5P 1.125 FWB Easy Base
Approved by Signature:	Date: 3-31-09 Revised: 8-17-17
Rep.:	Wholesaler: Quote No.

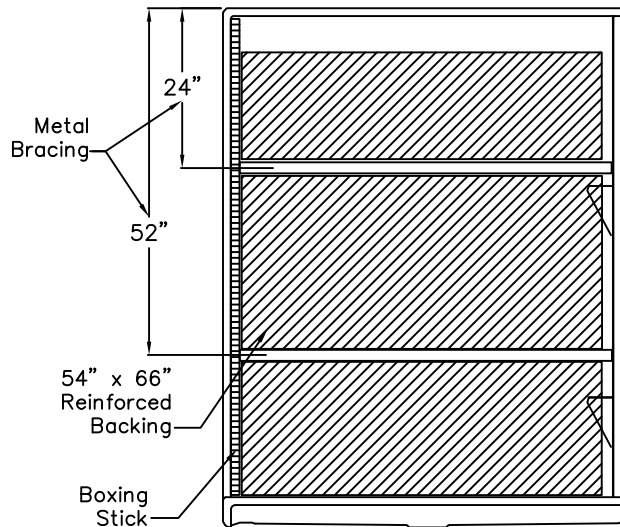
Backing Placement Drawing

SUBMITTAL DATA

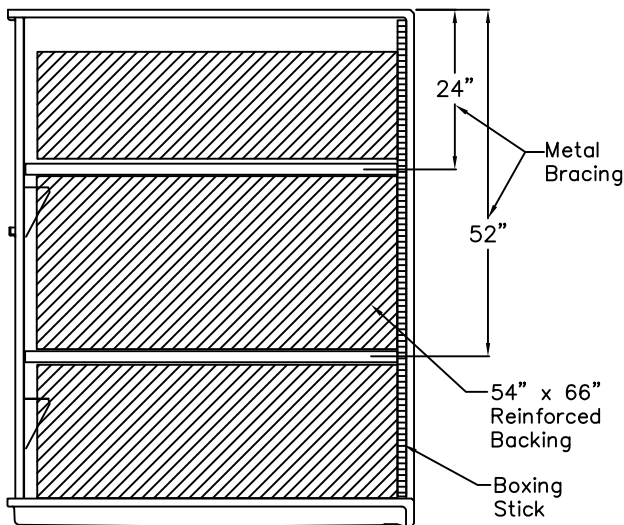
FRONT VIEW



SIDE VIEW



SIDE VIEW



DUE TO THE NATURE OF THE MATERIALS INVOLVED
UNIT DIMENSIONS MAY VARY $\pm 1/2$ INCH

Job Name:

EZABLE

Approved by Print Name:

Drawing#: EZA 6060 BF 5P 1.125 FWB
Easy Base-BP

Approved by Signature:

Date:

Date: 3-31-09

Revised: 8-17-17

Rep.:

Wholesaler:

Quote No.: