



60 x 48 Shower Features:

Standard Color Choices: white, bone, biscuit

8 inch X 8 inch Tile Pattern

5 Piece unit that you can easily get into your existing bathroom.

Simulated tile pattern and smooth walls

Easy to clean

Molded soap ledges

Molded leg ledges

Integrated backing

Lifetime Warranty*

Self-supporting pre-leveled bottom eliminates mud setting and drainage issues

Shipping Included

Code Compliance: IPC, UPC, ANSI Z 124.2, HUD, FHA

Acrylx™ Applied Acrylic:

Thick, 22 mil applied Acrylx™

Class B fire retardant

LEEDS Credits

USA & CANADIAN PATENTED
DESIGN PROCESS

USA patents March 2006, No. 7,007,315;

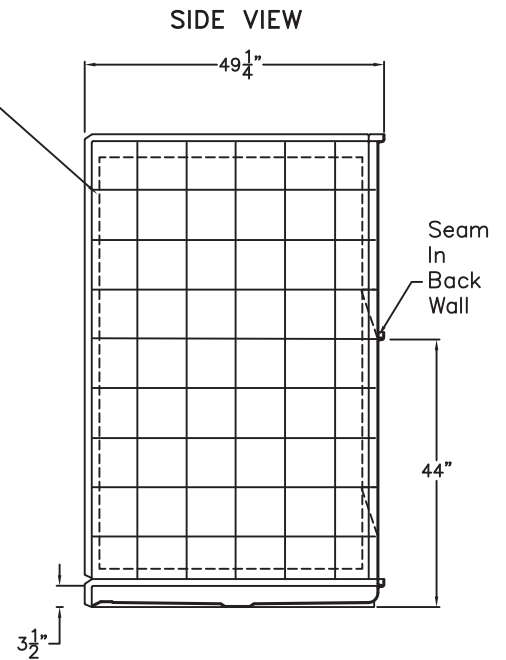
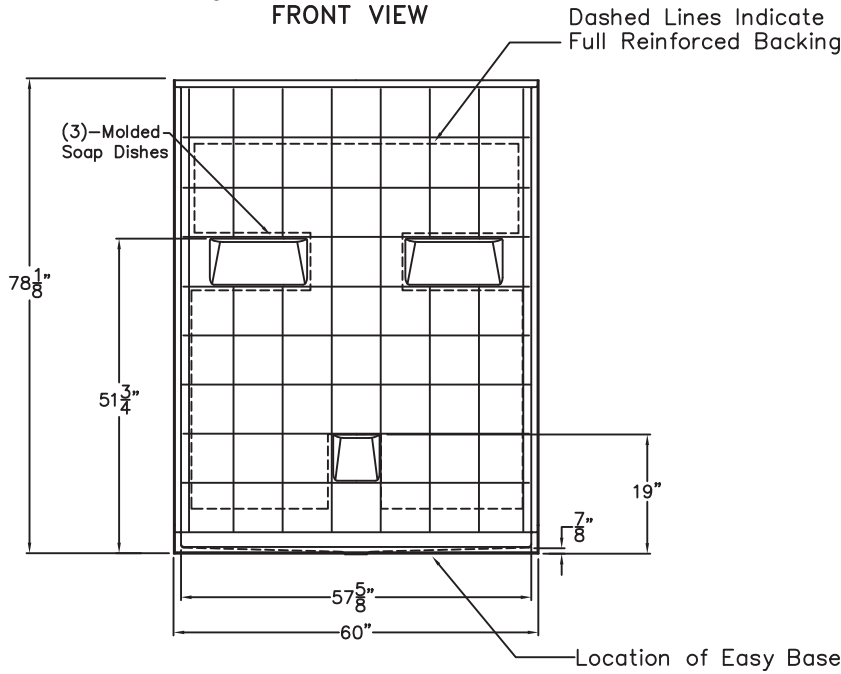
Canadian patent May 2008, No. 2,444,083

* Visit Product online to view warranty



Flexible Financing | See Details at Check-out

SUBMITTAL DATA © 2002

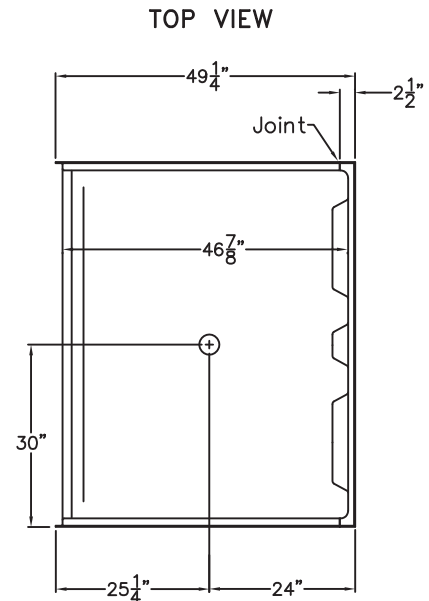
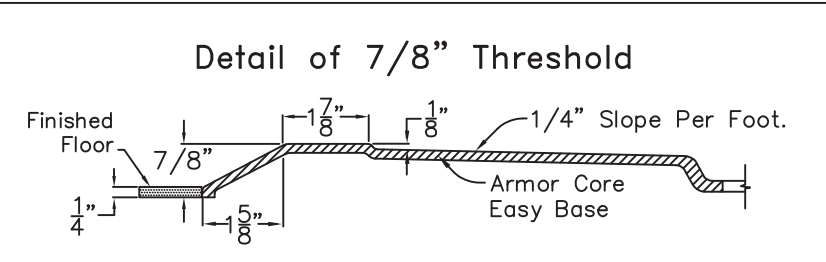


Sectional Shower

This shower enclosure shall be Model 6048 BF 5P .875 center drain location. Finished surface shall be of sanitary-grade applied acrylic. The unit shall have outside dimensions of 60" x 49 1/4" x 78 1/8". The unit shall meet IAPMO Z124-2011, and CSA B45.5-11.

The enclosure shall be equipped with the following factory installed accessories:

- 1) Molded soap ledges,
- 2) Molded lower ledge on back wall,
- 3) Tile finish,
- 4) Five piece sectional design,
- 5) Full reinforced backing on all walls,
- 6) Factory installed Armor Core Easy Base,
- 7) Center drain location,
- 8) 7/8" threshold.



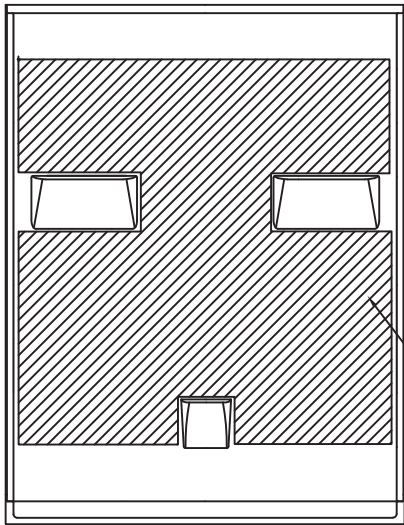
DUE TO THE NATURE OF THE MATERIALS INVOLVED UNIT DIMENSIONS MAY VARY ± 1/2 INCH

| | | |
|-------------------------|--|-------------------------------------|
| Job Name: | EZABLE | |
| Approved by Print Name: | Drawing#: EZA 6048 BF 5P .875 FWB Easy Base | |
| Approved by Signature: | Date: | Date: 3-31-09 Revised: 8-17-17 |
| Rep.: | Wholesaler: | Quote No. |

Backing Placement Drawing

SUBMITTAL DATA © 2004

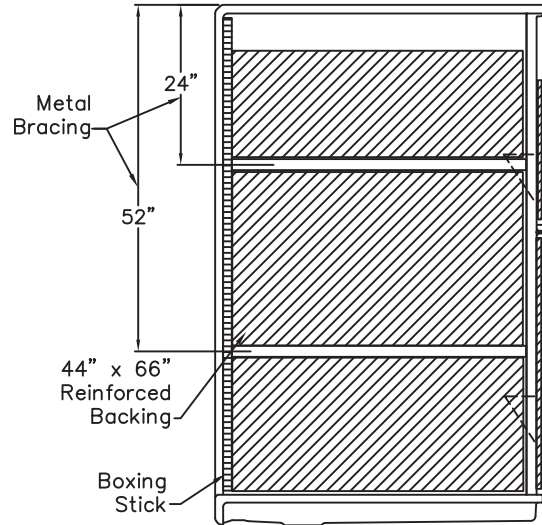
FRONT VIEW



56" x 58"
Reinforced
Backing

Easy Base

SIDE VIEW



Metal
Bracing

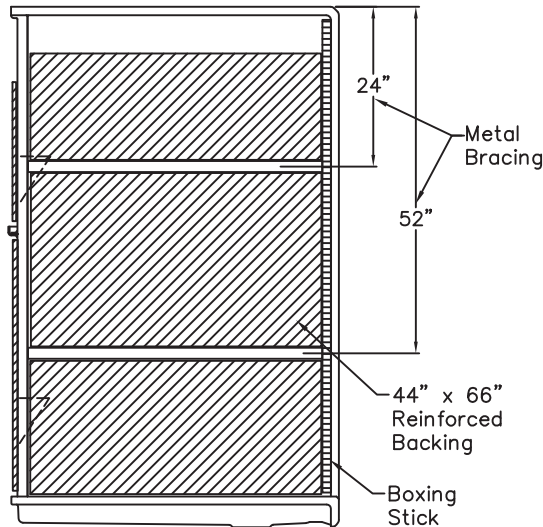
24"

52"

44" x 66"
Reinforced
Backing

Boxing
Stick

SIDE VIEW



Metal
Bracing

24"

52"

44" x 66"
Reinforced
Backing

Boxing
Stick

Stock Color Options



W HITE



BISCUIT



BONE

DUE TO THE NATURE OF THE MATERIALS INVOLVED
UNIT DIMENSIONS MAY VARY ± 1/2 INCH

Job Name:

EZABLE

Approved by Print Name:

Drawing#: EZA 6048 BF 5P .875 FWB
Easy Base-BP

Approved by Signature:

Date:

Date: 3-31-09

Revised: 8-17-17

Rep.:

Wholesaler:

Quote No.:

OPTIONAL SOLID SURFACE FINISH

Strong, Long Lasting,
 Seamless, Non-Porous,
 Ten Year Limited Warranty

CenturyStone™ SOLID SURFACE

Available only on EZ Able® Shower Bases and Shower Enclosures.



cotton seed



ashley



almond granite



beach



dune



mink



violet

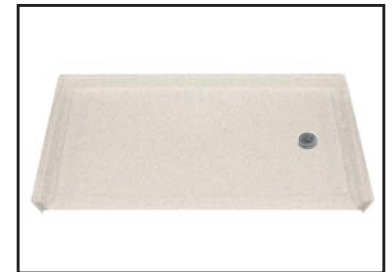


coco

CenturyStone™ NATURAL



EZA6032 SH 3P 1S
 shown in CenturyStone™
 Natural dune

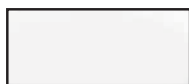


EZAP 6030 BF shown in
 CenturyStone™ Natural
 cotton seed

CenturyStone™ Solid Surface is engineered solid surface capable of creating beautifully sculpted, seamless shapes; thus providing the finest luxury bathing fixtures that out perform all others in long lasting strength and beauty.

CenturyStone™ Solid Surface is warranted for ten years.

CenturyStone™ SOLIDS



white



biscuit



bone