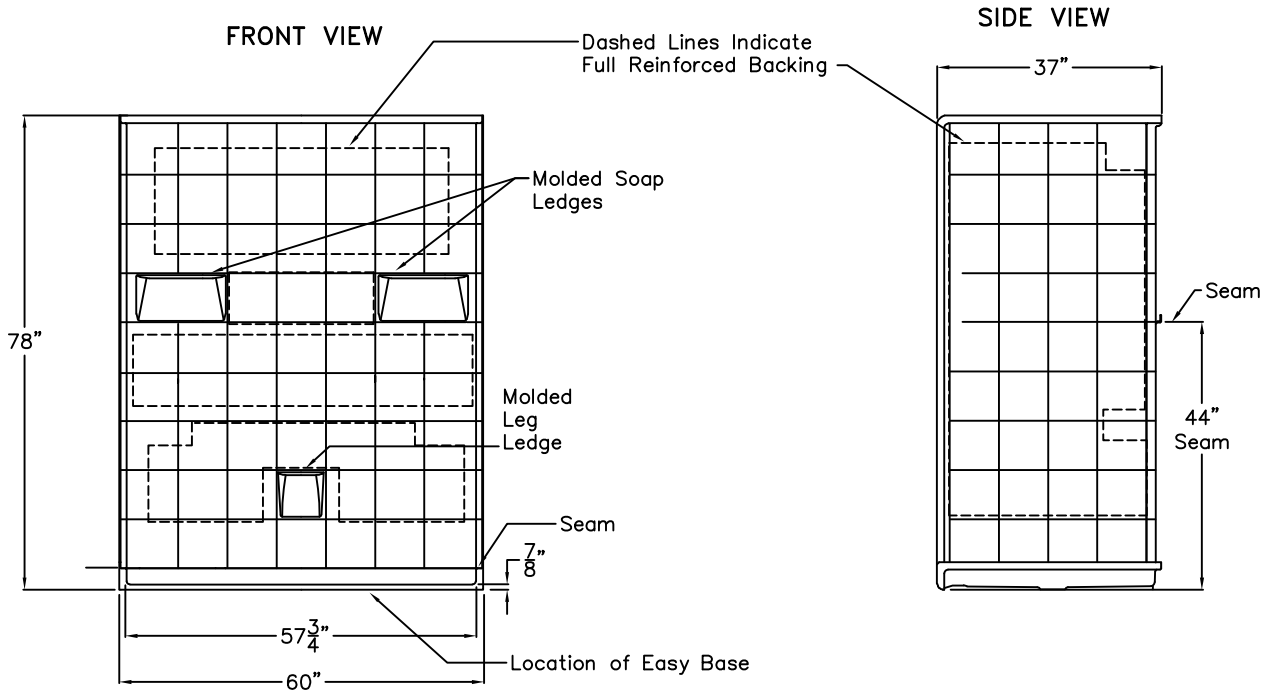


Comfort Series

SUBMITTAL DATA © 2002



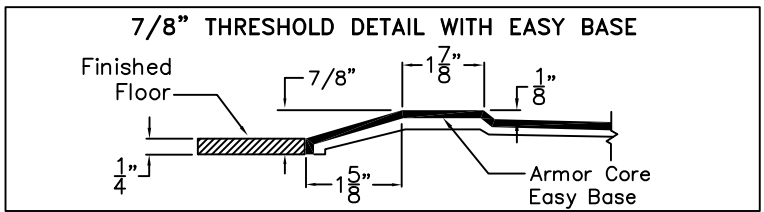
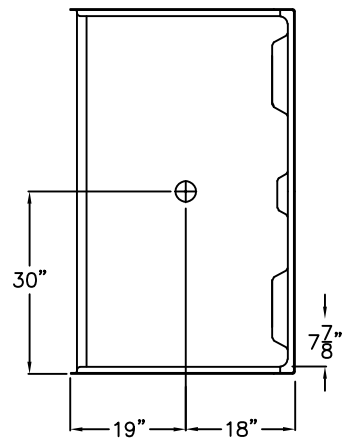
Sectional Shower

This shower enclosure shall be Model 6036 BF 5P 1.0 center drain location. Finished surface shall be of sanitary-grade acrylic. The unit shall have outside dimensions of 60" x 37" x 78". The unit shall meet IAPMO Z124-2011, and CSA B45.5-11.

The enclosure shall be equipped with the following factory installed accessories:

- 1) Molded soap ledges,
- 2) Molded lower ledge on back wall,
- 3) Tile finish,
- 4) Five piece sectional design,
- 5) Full reinforced backing on all walls,
- 6) Factory installed Armor Core Easy Base,
- 7) Center drain location,
- 8) 7/8" threshold.

TOP VIEW



DUE TO THE NATURE OF THE MATERIALS INVOLVED
UNIT DIMENSIONS MAY VARY ± 1/2 INCH

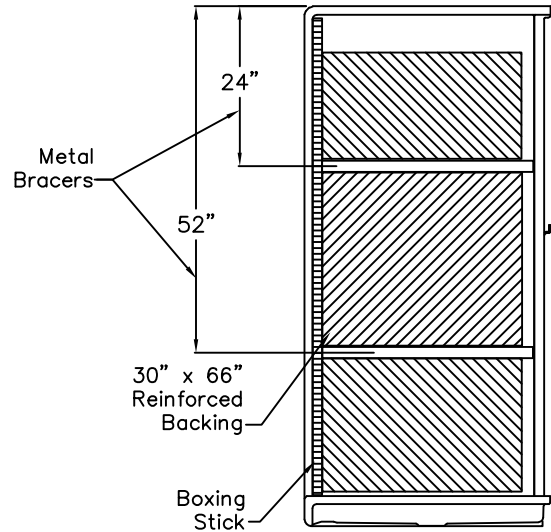
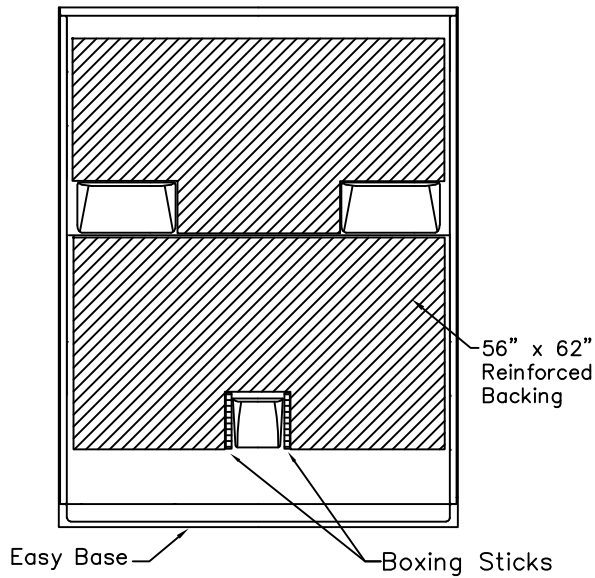
Job Name:	EZABLE		
Approved by Print Name:	Drawing#: EZA 6036 BF 5P .875 FWB Easy Base		
Approved by Signature:	Date:	Date: 3-31-09	Revised: 8-17-17
Rep.:	Wholesaler:	Quote No.	

Backing Placement Drawing

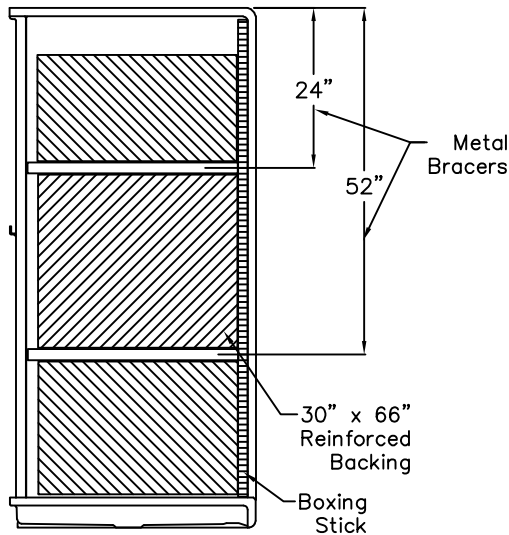
SUBMITTAL DATA © 2004

FRONT VIEW

SIDE VIEW



SIDE VIEW



DUE TO THE NATURE OF THE MATERIALS INVOLVED
UNIT DIMENSIONS MAY VARY $\pm 1/2$ INCH

Job Name:	EZABLE		
Approved by Print Name:	Drawing#: EZA 6036 BF 5P .875 FWB Easy Base-BP		
Approved by Signature:	Date:	Date: 3-31-09	Revised: 8-17-17
Rep.:	Wholesaler:	Quote No.:	