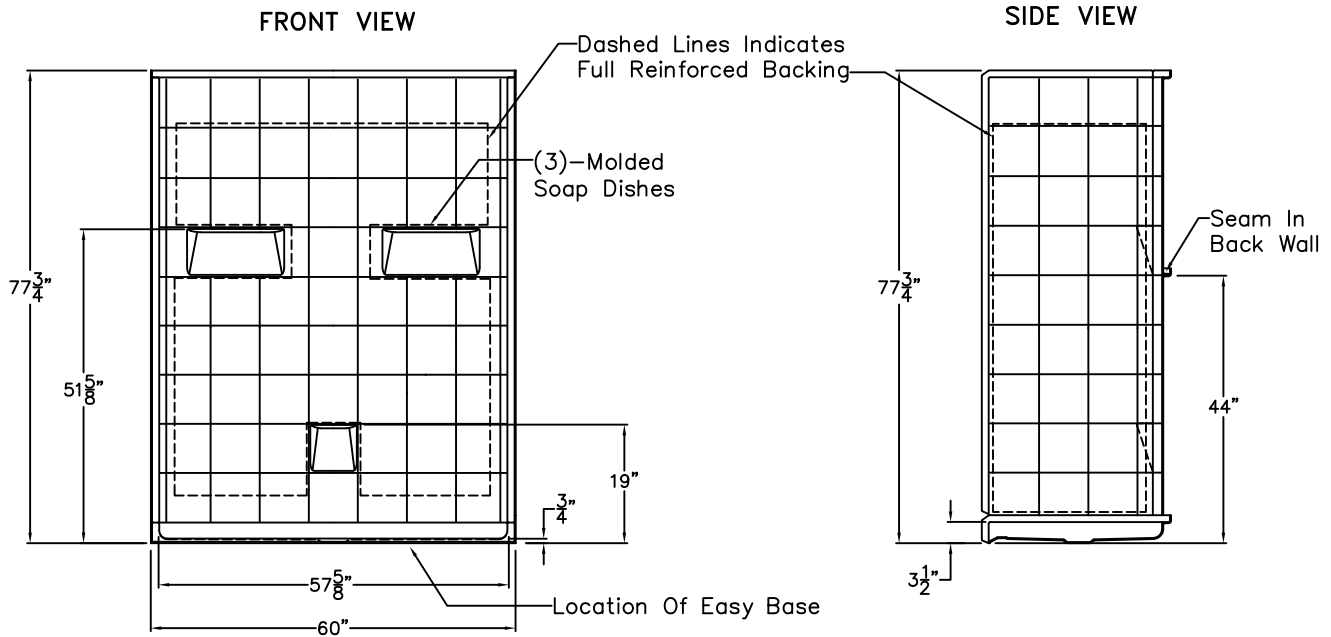


Comfort Series

SUBMITTAL DATA © 2002

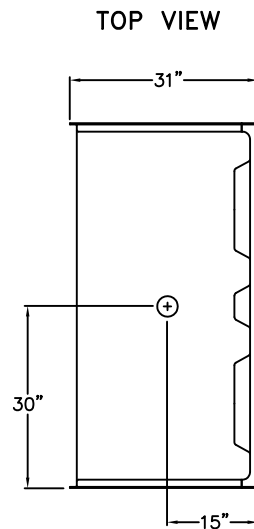


Sectional Shower

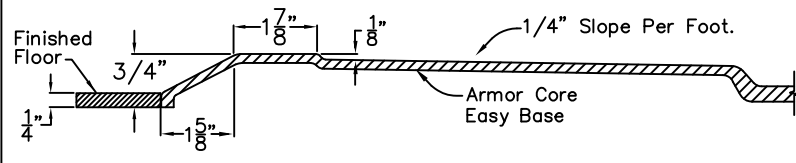
This shower enclosure shall be Model 6030 BF 5P .75 center drain. Finished surface shall be of sanitary-grade applied acrylic. The unit shall have outside dimensions of 60" x 31" x 77 3/4". The unit shall meet IAPMO Z124-2011, and CSA B45.5-11.

The enclosure shall be equipped with the following factory installed accessories:

- 1) Molded soap ledges,
- 2) Molded lower ledge on back wall,
- 2) Tile finish,
- 3) Five piece sectional design,
- 4) Full wood backing on all walls,
- 5) Factory installed Easy Base self sustaining bottom,
- 6) Center drain location,
- 7) 3/4" threshold.



Detail of 3/4" Threshold



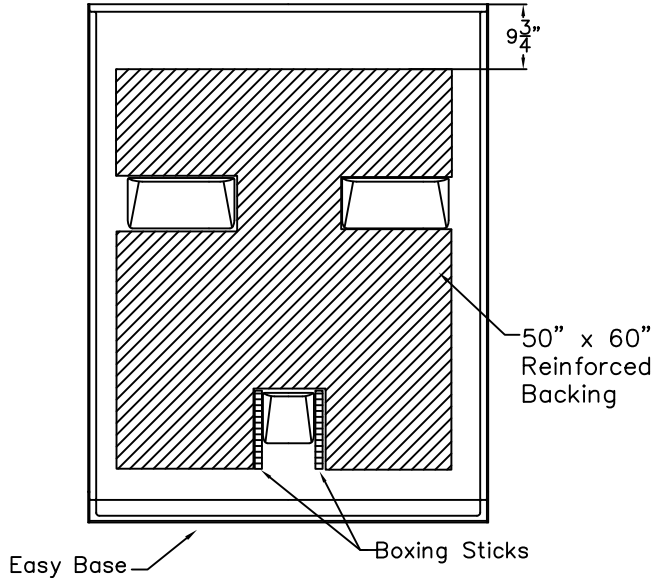
DUE TO THE NATURE OF THE MATERIALS INVOLVED
UNIT DIMENSIONS MAY VARY ± 1/2 INCH

Job Name:	EZABLE
Approved by Print Name:	Drawing#: EZA 6030 BF 5P .75 FWB Easy Base
Approved by Signature:	Date: 3-31-09 Revised: 8-17-17
Rep.:	Wholesaler: Quote No.

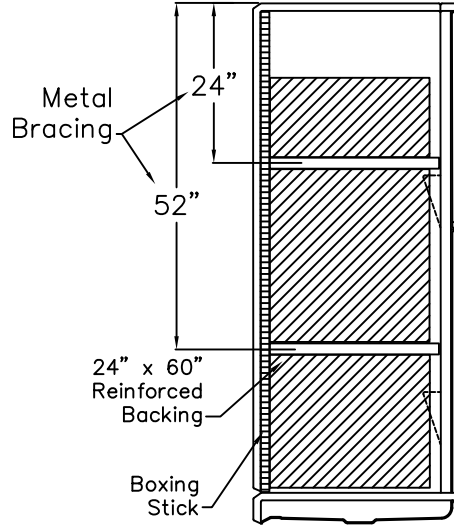
Backing Placement Drawing

SUBMITTAL DATA © 2004

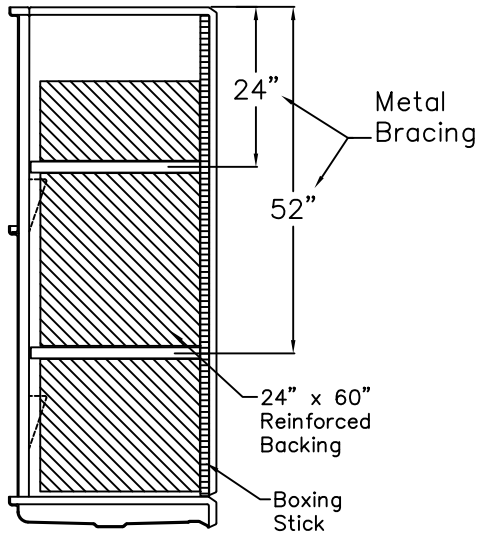
FRONT VIEW



SIDE VIEW



SIDE VIEW



DUE TO THE NATURE OF THE MATERIALS INVOLVED
UNIT DIMENSIONS MAY VARY ± 1/2 INCH

Job Name:	EZABLE	
Approved by Print Name:	Drawing#: EZA 6030 BF 5P .75 FWB Easy Base-BP	
Approved by Signature:	Date:	Date: 3-31-09 Revised: 8-17-17
Rep.:	Wholesaler:	Quote No.: