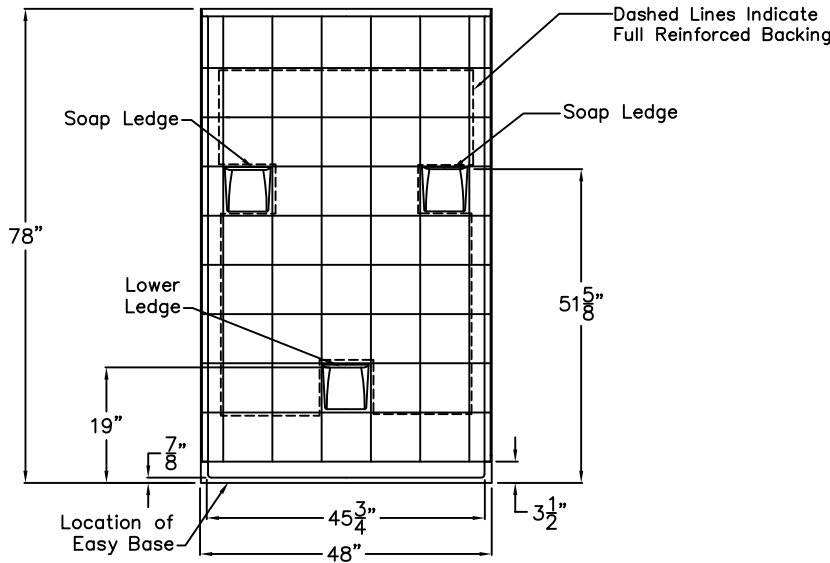


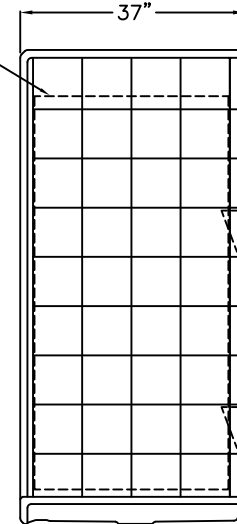
Comfort Series

SUBMITTAL DATA © 2002

FRONT VIEW



SIDE VIEW



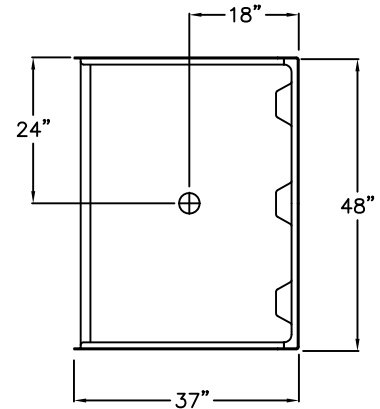
BF Sectional Shower

This shower enclosure shall be Model 4836 BF 4P .875 center drain. Finished surface shall be of sanitary-grade applied acrylic. The unit shall have outside dimensions of 48" x 37" x 78". The unit shall meet IAPMO Z124-2011, and CSA B45.5-11.

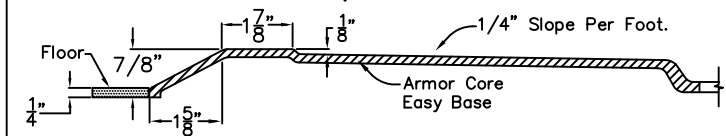
The enclosure shall be equipped with the following factory installed accessories:

- 1) Molded soap ledges,
- 2) Molded lower ledge on back wall,
- 3) Tile finish,
- 5) Diamond accents,
- 6) Full reinforced backing on all walls,
- 7) Factory installed Armor Core Easy Base,
- 8) 7/8" threshold.

TOP VIEW



Detail of 7/8" Threshold



DUE TO THE NATURE OF THE MATERIALS INVOLVED
UNIT DIMENSIONS MAY VARY ± 1/2 INCH

Job Name:

EZABLE

Approved by Print Name:

Drawing#: EZA 4836 BF 4P .875 FWB
Easy Base

Approved by Signature:

Date:

Date: 3-31-09

Revised: 8-17-17

Rep.:

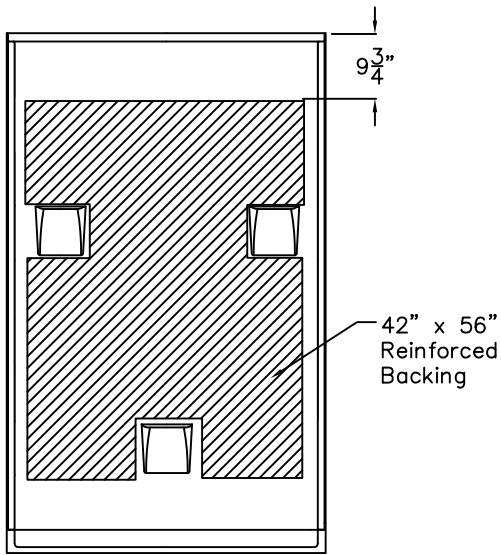
Wholesaler:

Quote No.

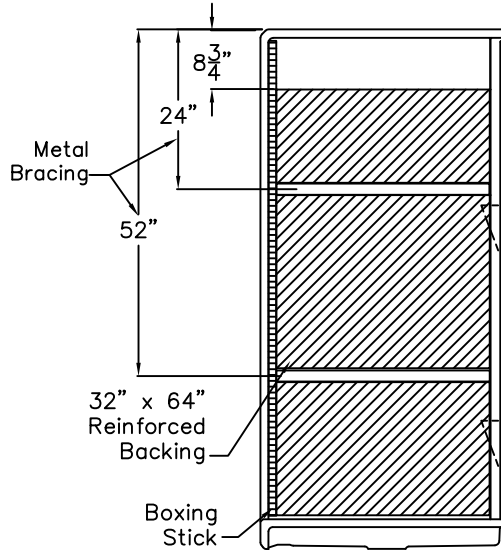
Backing Placement Drawing

SUBMITTAL DATA © 2004

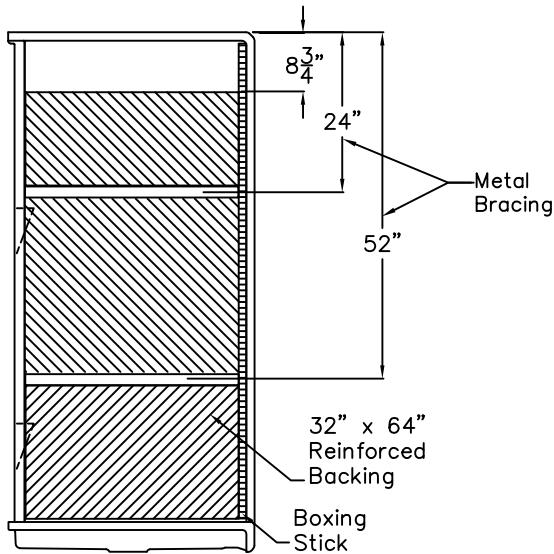
FRONT VIEW



SEAT SIDE VIEW



SIDE VIEW



Easy Base

DUE TO THE NATURE OF THE MATERIALS INVOLVED
UNIT DIMENSIONS MAY VARY ± 1/2 INCH

Job Name:	EZABLE	
Approved by Print Name:	Drawing#: EZA 4836 BF 4P .50 FWB Easy Base-BP	
Approved by Signature:	Date:	Date: 3-31-09 Revised: 8-17-17
Rep.:	Wholesaler:	Quote No.: