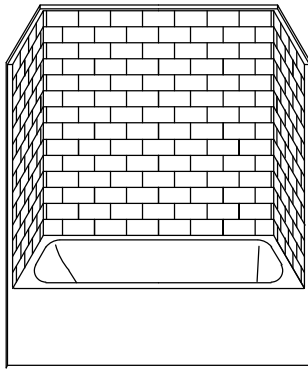


# MODEL: BTS6034A17\* L/R

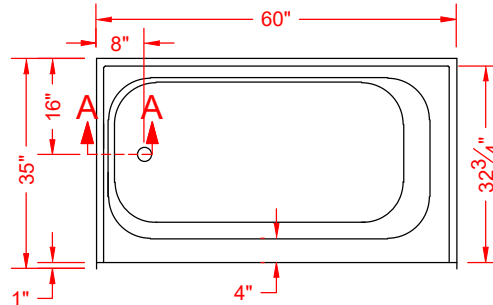
\*ALL ACCESSORIES OPTIONAL



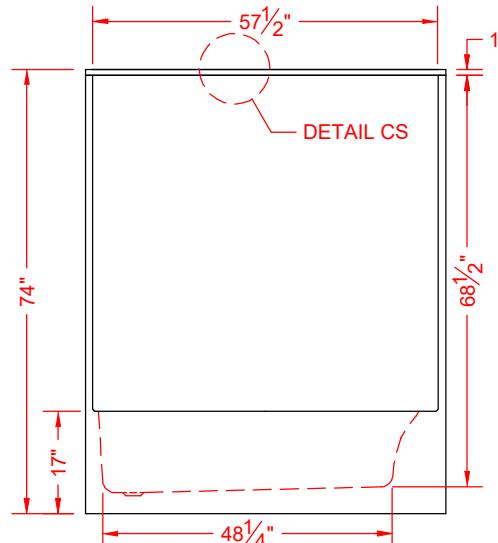
SEE OVER



PERSPECTIVE VIEW - N.T.S.  
MODEL SHOWN HERE AS:  
LEFT DRAIN



TOP VIEW - SCALE  $\frac{3}{8}'' = 1'-0''$



FRONT ELEVATION - SCALE:  $\frac{3}{8}'' = 1'-0''$

## Features:

- Molded, single-piece gelcoat/fiberglass tub-shower module
- Simulated "Subway Tile" wall finish. White (standard)
- Integral full wood backing for strength and unlimited accessory placement

\* - SEE BACK FOR DETAIL SECTIONS

## PRODUCT SPECIFICATIONS:

- Single-piece tub-shower module shall be constructed of gelcoat/fiberglass with full integral plywood backing in the walls
- Rough-In: Stud opening +1/4" / -0" nominal dimensions.

C.S.I. FORMAT SPECIFICATION TEXT AVAILABLE

## PRODUCT INFORMATION:

- Accessories: Factory installed, unless prone to damage during installation/shipping. Polished chrome/satin stainless standard, others available.
- Colors: White as standard, others to match any major fixture manufacturer, also available with sprayable solid surface in many colors

## OPTIONAL ACCESSORIES:

### INSTALLED BY FACTORY:

- Grab bar
- Mixing valve, pressure balanced, lever handle, pre-plumbed tree to supply elbow
- Soap dish
- Seat

### INSTALLED BY OTHERS:

- Curtain and rod

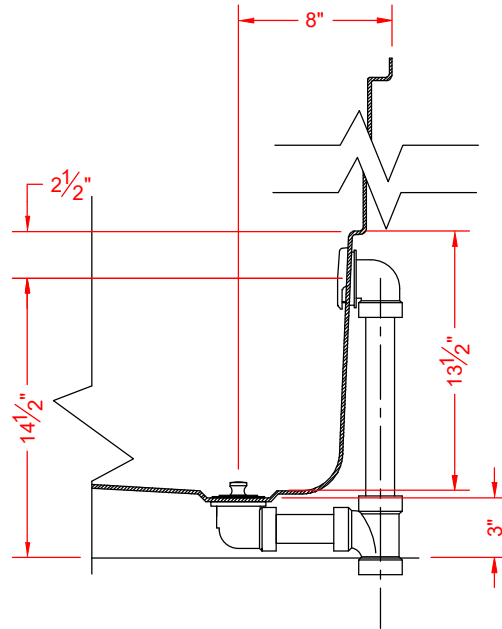
## CODES:

- Designed and manufactured in compliance with the following standards and codes:
- ANSI Z124.2 Standards for Plastic Showers
  - ADA Accessibility Guidelines for Buildings and Facilities
  - ANSI A117.1 A - Accessible and Usable Buildings and Facilities
  - ANSI A117.1 B - Accessible and Usable Buildings and Facilities
  - IPC International Plumbing Code
  - UPC Uniform Plumbing Code

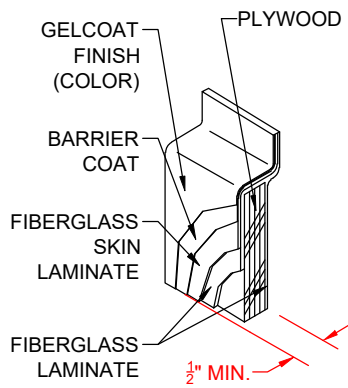
## NOTICE OF LIMITATION:



We reserve the right to make revisions without notice in the design of fixtures or in packaging unless this right has specifically been waived at the time the order is accepted.



**SECTION A-A - SCALE: 3" = 1'-0"**  
TUB DRAIN/OVERFLOW DETAIL



**DETAIL CS - SCALE: N.T.S.**  
CROSS SECTION DETAIL