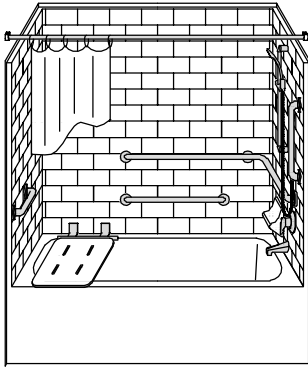
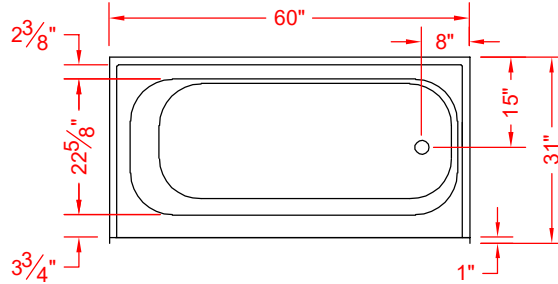


# MODEL: BTS6030A17\* L/R

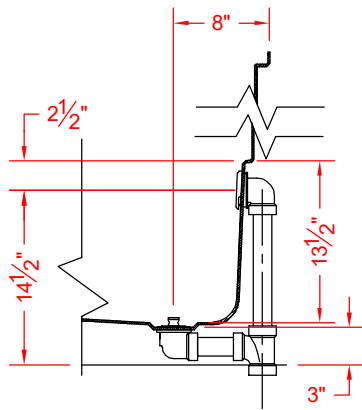
\*ALL ACCESSORIES OPTIONAL



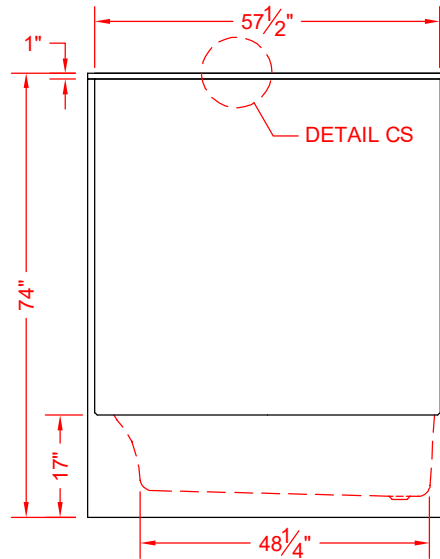
PERSPECTIVE VIEW - N.T.S.  
MODEL SHOWN HERE AS:  
RIGHT DRAIN



TOP VIEW - SCALE  $\frac{3}{8}'' = 1'-0''$



ROUGH-IN DETAIL - N.T.S.  
(PARTS SUPPLIED BY OTHERS)



FRONT ELEVATION - SCALE:  $\frac{3}{8}'' = 1'-0''$

## Features:

- ADA compliant single-piece tub-shower
- Molded, one-piece gelcoat/fiberglass tub-shower module
- Clearance for above floor rough-in
- "Subway Tile", 4" x 8" simulated tile wall finish, white (standard)
- Integral full wood backing for strength and unlimited accessory placement

\* - SEE BACK FOR DETAIL SECTIONS

## PRODUCT SPECIFICATIONS:

- Single-piece tub-shower module shall be constructed of gelcoat/fiberglass with full integral plywood backing in the walls
- Rough In: Stud Opening + 1/4" - 0 Nominal Dimensions.

C.S.I. FORMAT SPECIFICATION TEXT AVAILABLE

## PRODUCT INFORMATION:

- Accessories: Factory installed, unless prone to damage during installation/shipping. Polished chrome/satin stainless standard, others available.
- Colors: White as standard, others to match any major fixture manufacturer, also available with sprayable solid surface in many colors

## OPTIONAL ACCESSORIES:

### INSTALLED BY FACTORY:

- Seat, folding
- Grab bar
- Soap dish
- Mixing valve, pressure-balancing, lever handle, pre-plumbed tree to supply elbow

### INSTALLED BY OTHERS:

- Curtain and rod

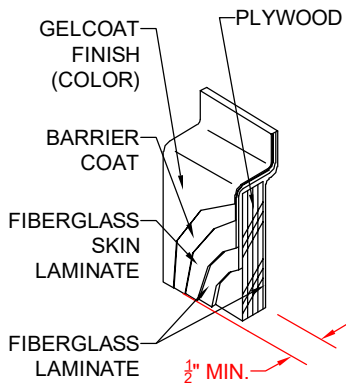
## CODES:

- Designed and manufactured in compliance with the following standards and codes:
- ANSI Z124.2 Standards for Plastic Showers
  - ADA Accessibility Guidelines for Buildings and Facilities
  - ANSI A117.1 A - Accessible and Usable Buildings and Facilities
  - ANSI A117.1 B - Accessible and Usable Buildings and Facilities
  - IPC International Plumbing Code
  - UPC Uniform Plumbing Code

## NOTICE OF LIMITATION:



We reserve the right to make revisions without notice in the design of fixtures or in packaging unless this right has specifically been waived at the time the order is accepted.



**DETAIL CS - SCALE: N.T.S.  
CROSS SECTION DETAIL**