

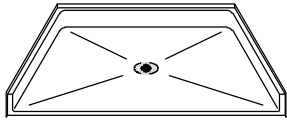
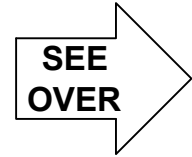
MODEL: P24550B5T*

*ALL ACCESSORIES OPTIONAL

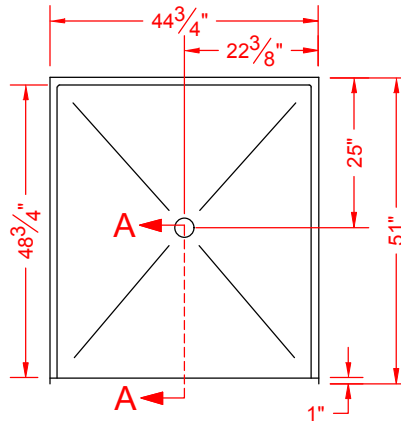
BARRIER FREE



CA TITLE 24
COMPLIANT



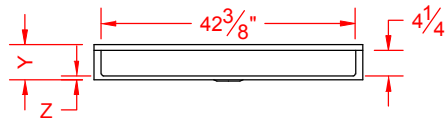
PERSPECTIVE VIEW - N.T.S.



TOP VIEW - SCALE $\frac{3}{8}'' = 1'-0''$

Features:

- Molded, one-piece gelcoat/fiberglass shower pan to meet 2010 CBC Title 24 1134A.6
- Available in various threshold heights
- On all threshold heights 1-1/4" or shorter, no mud set is required, but an epoxy adhesive kit is supplied
- On all threshold heights 1-1/2" or taller, no mud set is required



FRONT ELEVATION - SCALE: $\frac{3}{8}'' = 1'-0''$

MODEL #	UNIT HEIGHT	THRESHOLD HEIGHT
	Y	Z*
P24550B5T	5-7/8"	5/8" MIN.
P24550B2T	7-1/4"	2" MAX.

* - SEE BACK FOR DETAIL SECTIONS

PRODUCT SPECIFICATIONS:

- Single-piece shower pan shall be constructed of gelcoat/fiberglass
- Rough-In: Stud opening + 1/4"-0" Nominal Dimensions.

C.S.I. FORMAT SPECIFICATION TEXT AVAILABLE

PRODUCT INFORMATION:

- Colors: White as standard, others to match any major fixture manufacturer, also available with sprayable solid surface in many colors
- Custom curb heights, other than shown, are available (between min. and max.)

OPTIONAL ACCESSORIES:

INSTALLED BY OTHERS:

- T-shaped rubber WaterStopper kit
- Semi-permanent threshold adaptor
- No-caulk brass drain

CODES:

- Designed and manufactured in compliance with the following standards and codes:
- A.N.S.I. Z124.2 Standards for Plastic Showers
 - 2010 California Building Code Title 24 1134A.6

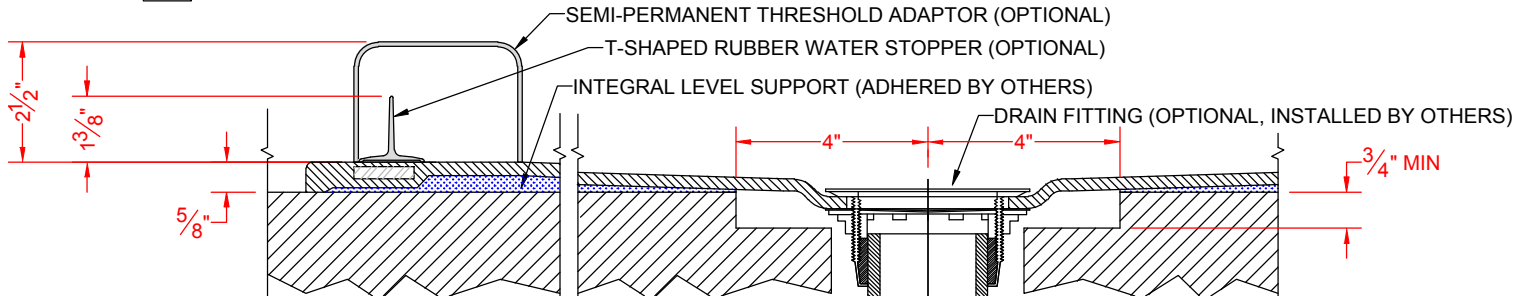
NOTICE OF LIMITATION:

- Adhere to floor as required



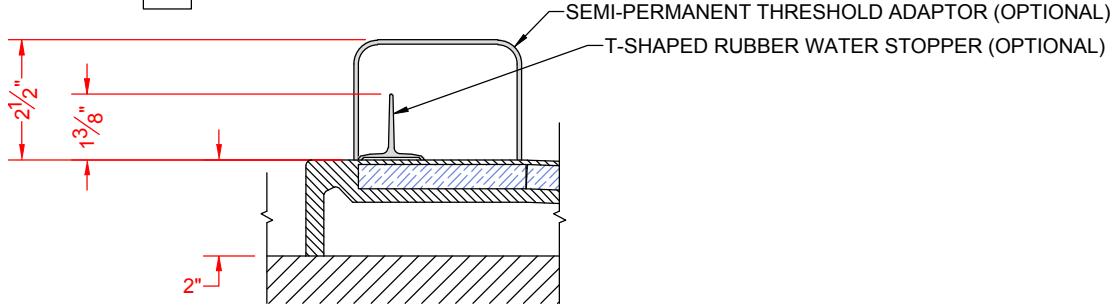
We reserve the right to make revisions without notice in the design of fixtures or in packaging unless this right has specifically been waived at the time the order is accepted.

P24550B5T



SECTION A-A - SCALE: 3" = 1'-0"

P24550B2T



SECTION A-A - SCALE: 3" = 1'-0"

****OTHER THRESHOLD HEIGHTS AVAILABLE UPON REQUEST****