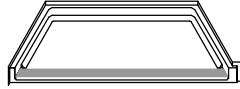
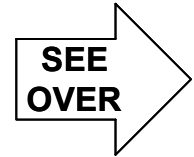
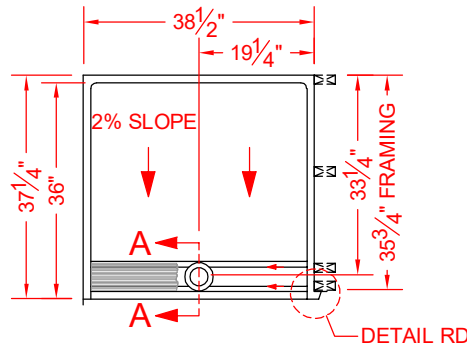


# MODEL: P24038A75FTT.V3\* L/R

\*ALL ACCESSORIES OPTIONAL



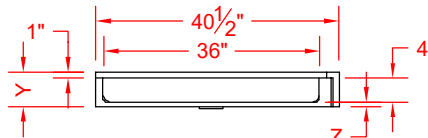
**PERSPECTIVE VIEW - N.T.S.**  
**MODEL SHOWN HERE AS:**  
 LEFT UNIT  
 RIGHT REVEAL



**TOP VIEW - SCALE  $\frac{3}{8}$ " = 1'-0"**

## Features:

- ADA compliant single-piece shower pan with a trench drain and stainless steel grate
- Molded, one-piece gelcoat/fiberglass shower pan
- Available in various threshold heights
- On all threshold heights 1-1/4" or shorter, no mud set is required and an anchoring adhesive kit is supplied
- On all threshold heights 1-1/2" or taller, no mud set is required



**FRONT ELEVATION - SCALE:  $\frac{3}{8}$ " = 1'-0"**

## \*OTHER THRESHOLD HEIGHTS AVAILABLE UPON REQUEST

MODEL #	UNIT THRESHOLD HEIGHT	
	Y	Z*
P24038A75FTT.V3	5-3/4"	3/4" MIN.
P24038A2FTT.V3	7"	2" MAX.

\* - SEE BACK FOR DETAIL SECTIONS

## PRODUCT SPECIFICATIONS:

- Single-piece shower pan module shall be constructed of gelcoat/fiberglass and have a stainless steel trench drain grate.
- Rough-In: Stud opening +1/4" -0" Nominal Dimensions.

C.S.I. FORMAT SPECIFICATION TEXT AVAILABLE

## PRODUCT INFORMATION:

- Accessories: Factory installed, unless prone to damage during installation/shipping. Polished chrome/satin stainless standard, others available.
- Colors: White as standard, others to match any major fixture manufacturer, also available with sprayable solid surface in many colors
- Custom curb heights, other than shown, are available (between min. and max.)

## OPTIONAL ACCESSORIES:

- INSTALLED BY OTHERS:**
- Trench grate and No-caulk brass drain (INCLUDED)

## CODES:

- Designed and manufactured in compliance with the following standards and codes:
- ANSI Z124.2 Standards for Plastic Showers
  - ADA Accessibility Guidelines for Buildings and Facilities
  - ANSI A117.1 A - Accessible and Usable Buildings and Facilities
  - ANSI A117.1 B - Accessible and Usable Buildings and Facilities
  - IPC International Plumbing Code
  - UPC Uniform Plumbing Code

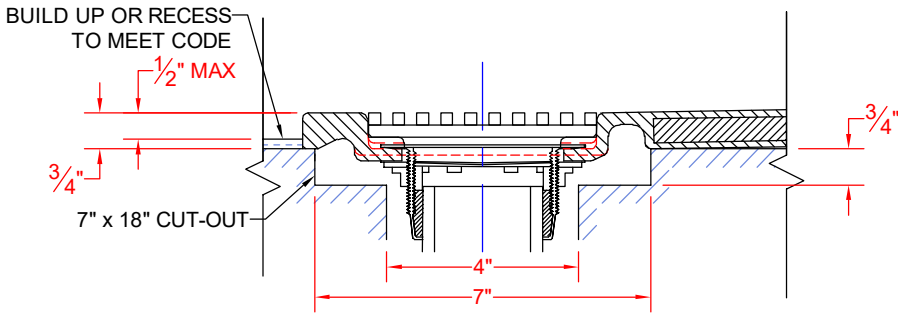
## NOTICE OF LIMITATION:

- Recess as needed for trench, see page 2
- Adhere to floor as required

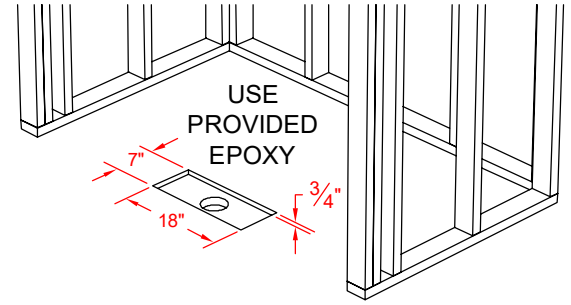


*We reserve the right to make revisions without notice in the design of fixtures or in packaging unless this right has specifically been waived at the time the order is accepted.*

□ P24038A75FTT.V3 L/R

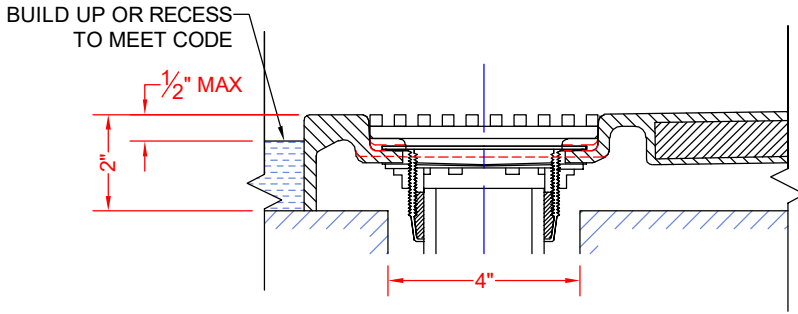


SECTION A-A - SCALE: 3" = 1'-0"

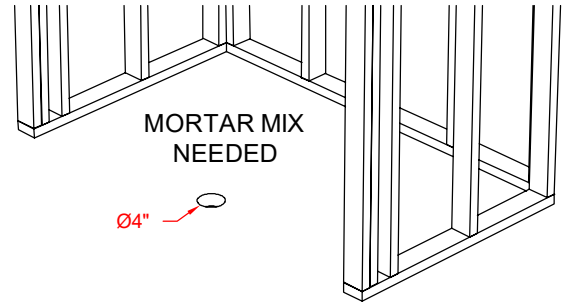


FOR MODELS ENDING IN A75FT\*.V3, INSTALLATION REQUIRES A 7" x 18" x 3/4" CUT-OUT.

□ P24038A2FTT.V3 L/R

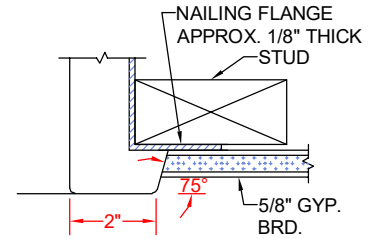


SECTION A-A - SCALE: 3" = 1'-0"



FOR MODELS ENDING IN A15FT\*.V3, A17FT\*.V3, OR A2FT\*.V3, INSTALLATION REQUIRES A 4" DRAIN HOLE.

**\*\*OTHER THRESHOLD HEIGHTS AVAILABLE UPON REQUEST\*\***



ISOMETRIC

DETAIL RD - SCALE: N.T.S.  
REVEAL DETAIL