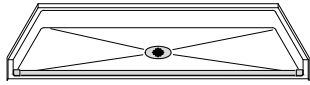


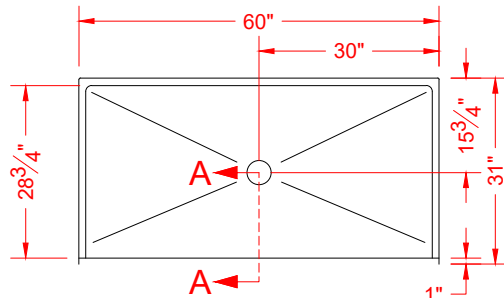
# MODEL: P6030B75T\*

\*ALL ACCESSORIES OPTIONAL

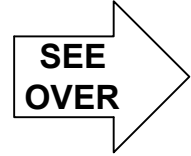
## BARRIER FREE



PERSPECTIVE VIEW - N.T.S.

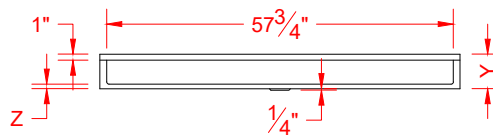


TOP VIEW - SCALE  $\frac{3}{8}$ " = 1'-0"



### Features:

- Molded, one-piece gelcoat/fiberglass shower pan
- Available in various Threshold heights
- On all threshold heights 1-1/4" or shorter, no mud set is required and an anchoring adhesive kit is supplied
- On all threshold heights 1-1/2" or taller, no mud set is required



FRONT ELEVATION - SCALE:  $\frac{3}{8}$ " = 1'-0"

### \*OTHER THRESHOLD HEIGHTS AVAILABLE UPON REQUEST

MODEL #	UNIT HEIGHT	THRESHOLD HEIGHT
	Y	Z*
P6030B75T	5-3/4"	3/4" MIN
P6030B2T	7"	2" MAX

\* - SEE BACK FOR DETAIL SECTIONS

### PRODUCT SPECIFICATIONS:

- Single-piece shower pan shall be constructed of gelcoat/fiberglass
- Rough-In: Stud opening +1/4" -0" Nominal Dimensions.

C.S.I. FORMAT SPECIFICATION TEXT AVAILABLE

### PRODUCT INFORMATION:

- Colors: White as standard, others to match any major fixture manufacturer, also available with sprayable solid surface in many colors

### OPTIONAL ACCESSORIES:

- INSTALLED BY OTHERS:
- T-shaped rubber WaterStopper kit
  - Semi-permanent threshold adapter
  - No-caulk brass drain

### CODES:

- Designed and manufactured in compliance with the following standards and codes:
- ANSI Z124.2 Standards for Plastic Showers
  - UPC / IPC compliant when in accordance with Section 408.6 (UPC, 2021)

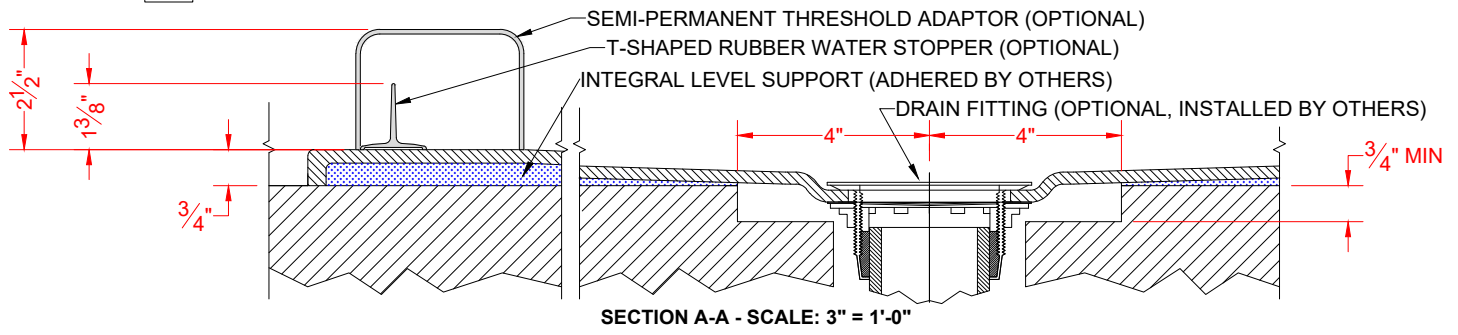
### NOTICE OF LIMITATION:

- Adhere to floor as required
- Not I.P.C. International Plumbing Code & U.P.C. Uniform Plumbing Code for new construction

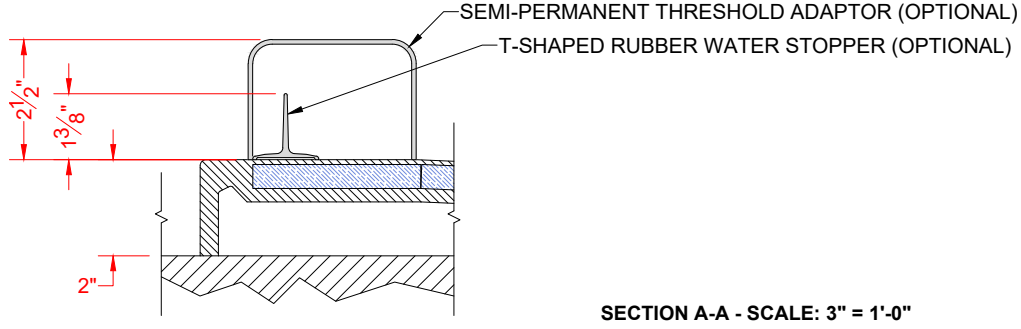


*We reserve the right to make revisions without notice in the design of fixtures or in packaging unless this right has specifically been waived at the time the order is accepted.*

□ P6030B75T



□ P6030B2T



**\*\*OTHER THRESHOLD HEIGHTS AVAILABLE UPON REQUEST\*\***