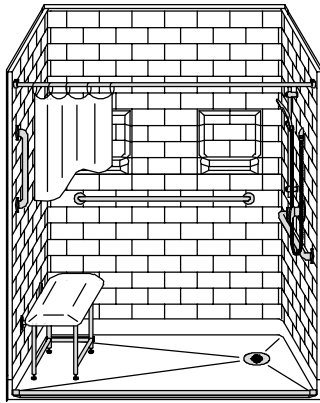


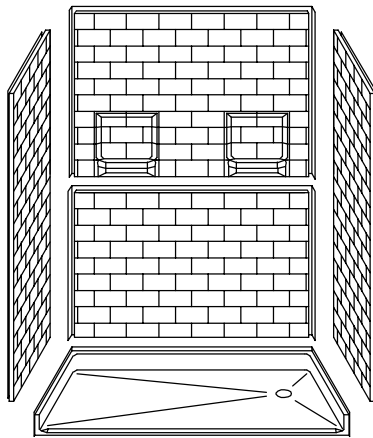
# MODEL: 5LBS6036E1B\* L/R

# BARRIER FREE

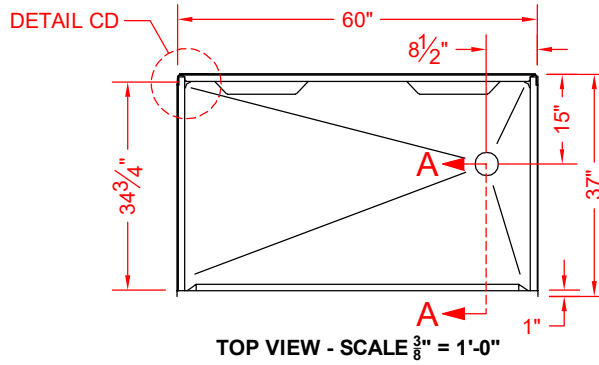
\*ALL ACCESSORIES OPTIONAL



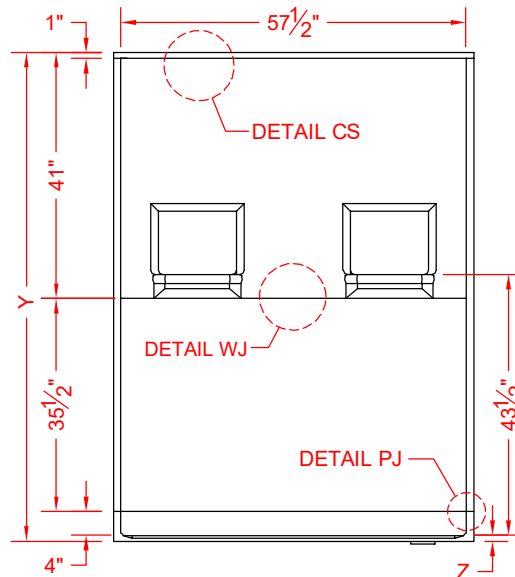
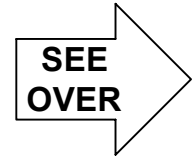
**PERSPECTIVE VIEW - N.T.S.**  
**MODEL SHOWN HERE AS:**  
 RIGHT PLUMBING  
 LEFT SEAT  
 RIGHT DRAIN



**ASSEMBLY VIEW - N.T.S.**



**TOP VIEW - SCALE  $\frac{3}{8}'' = 1'-0''$**



**FRONT ELEVATION - SCALE:  $\frac{3}{8}'' = 1'-0''$**

## Features:

- Molded, five-piece gelcoat/fiberglass shower module
- "Subway Tile", 4" x 8" simulated tile wall finish, white (standard)
- Integral full wood backing for strength and unlimited accessory placement
- Available in various threshold heights
- On all threshold heights 1-1/4" or shorter, no mud set is required and an anchoring adhesive kit is supplied
- On all threshold heights 1-1/2" or taller, no mud set is required

## \*OTHER THRESHOLD HEIGHTS AVAILABLE UPON REQUEST

MODEL #	UNIT HEIGHT	THRESHOLD HEIGHT
5LBS6036E1B	Y	Z*
5LBS6036E1B	81-1/2"	1" MIN.
5LBS6036E2B	82-1/2"	2" MAX.

\* - SEE BACK FOR DETAIL SECTIONS

## PRODUCT SPECIFICATIONS:

- Multi-piece shower module shall be constructed of gelcoat/fiberglass with full integral plywood backing
- Rough-In: Stud opening +1/4" -0" Nominal Dimensions.

C.S.I. FORMAT SPECIFICATION TEXT AVAILABLE

## PRODUCT INFORMATION:

- Accessories: Factory installed, unless prone to damage during installation/shipping. Polished chrome/satin stainless standard, others available.
- Colors: White as standard, others to match any major fixture manufacturer, also available with sprayable solid surface in many colors
- Custom curb heights, other than shown, are available (between min. and max.)

## OPTIONAL ACCESSORIES:

### INSTALLED BY OTHERS:

- Seat, folding
- Grab bar
- Soap dish
- Mixing valve, pressure-balancing, lever handle, pre-plumbed tree to supply elbow
- Curtain rod brackets
- Curtain and rod
- T-shaped WaterStopper kit
- Semi-permanent threshold adapter
- No-caulk brass drain

## CODES:

Designed and manufactured in compliance with the following standards and codes:  
 -ANSI Z124.2 Standards for Plastic Showers  
 -UPC / IPC compliant when in accordance with Section 408.5 (UPC, 2021)

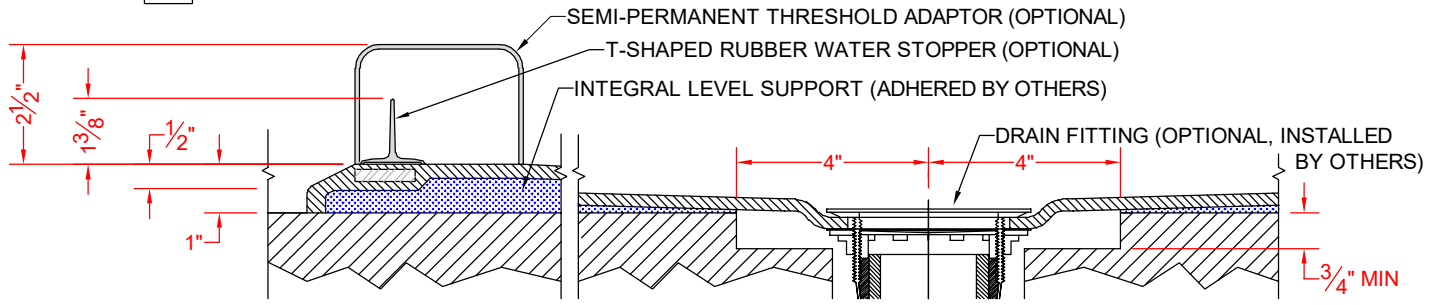
## NOTICE OF LIMITATION:

- Adhere to floor as required



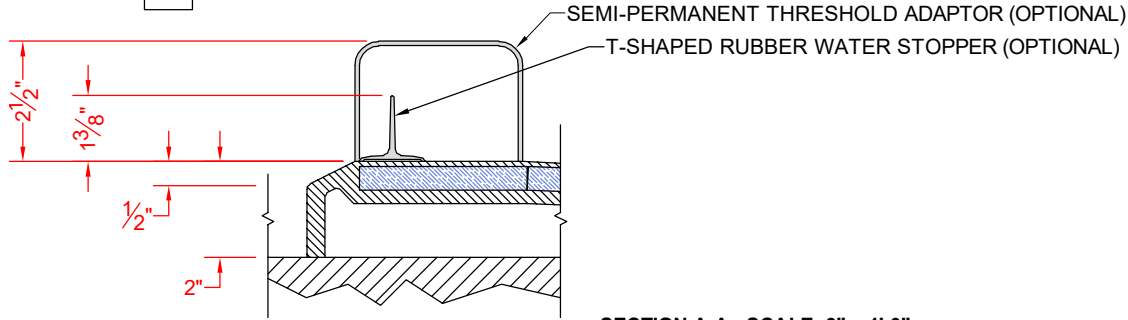
*We reserve the right to make revisions without notice in the design of fixtures or in packaging unless this right has specifically been waived at the time the order is accepted.*

**5LBS6036E1B L/R**



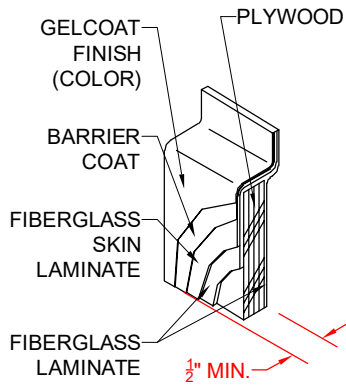
**SECTION A-A - SCALE: 3" = 1'-0"**

**5LBS6036E2B L/R**

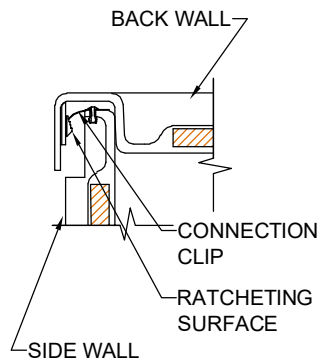


**SECTION A-A - SCALE: 3" = 1'-0"**

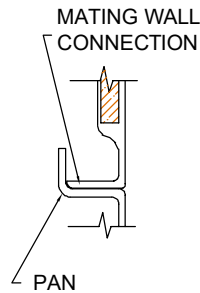
**\*\*OTHER THRESHOLD HEIGHTS AVAILABLE UPON REQUEST\*\***



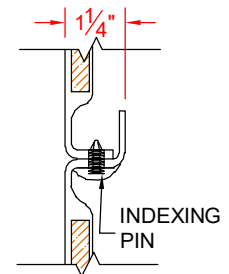
**DETAIL CS - SCALE: 3" = 1'-0"**  
**CROSS SECTION DETAIL**



**DETAIL CD - SCALE: 3" = 1'-0"**  
**CORNER JOINT DETAIL**



**DETAIL PJ - SCALE: 3" = 1'-0"**  
**PAN JOINT DETAIL**



**DETAIL WJ - SCALE: 3" = 1'-0"**  
**BACK WALL JOINT DETAIL**