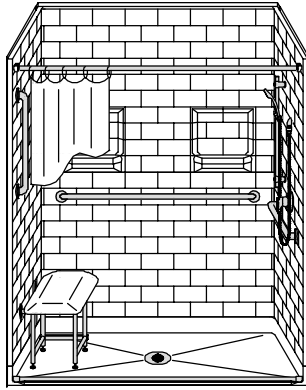


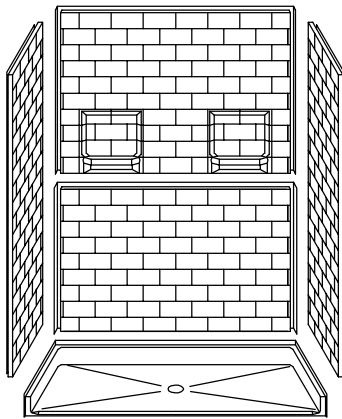
# MODEL: 5LBS6030B75B\*

\*ALL ACCESSORIES OPTIONAL

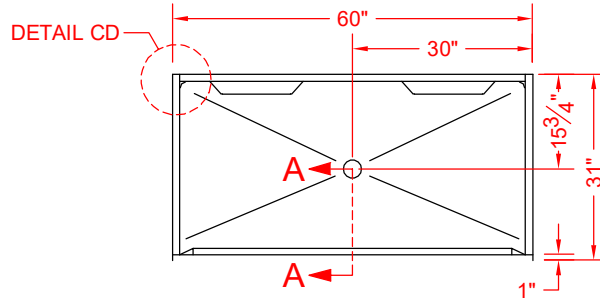
## BARRIER FREE



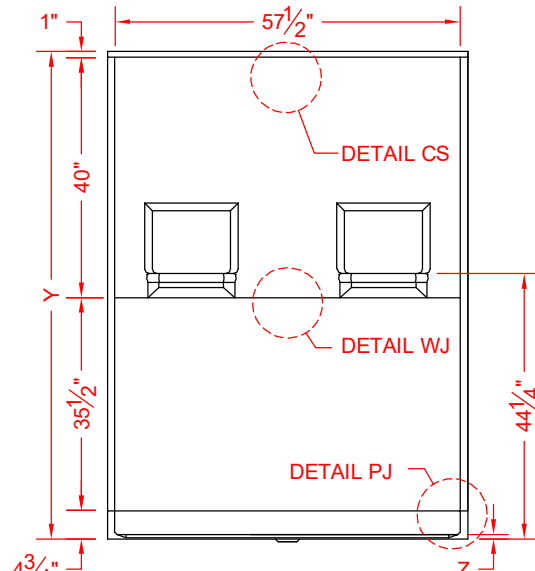
**PERSPECTIVE VIEW - N.T.S.**  
MODEL SHOWN HERE AS:  
RIGHT PLUMBING  
LEFT SEAT



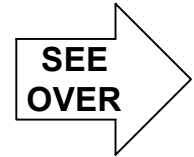
**ASSEMBLY VIEW - N.T.S.**



**TOP VIEW - SCALE  $\frac{3}{8}'' = 1'-0''$**



**FRONT ELEVATION - SCALE:  $\frac{3}{8}'' = 1'-0''$**



### Features:

- Molded, five-piece gelcoat/fiberglass barrier free shower module
- "Subway Tile", 4" x 8" simulated tile wall finish, white (standard)
- Integral full wood backing for strength and unlimited accessory placement
- Available in various threshold heights
- On all threshold heights 1-1/4" or shorter, no mud set is required and an anchoring adhesive kit is supplied
- On all threshold heights 1-1/2" or taller, no mud set is required

	UNIT HEIGHT	THRESHOLD HEIGHT
MODEL #	Y	Z*
5LBS6030B75B	81-1/4"	3/4" MIN
5LBS6030B2B	82-1/2"	2" MAX

\* - SEE BACK FOR DETAIL SECTIONS

### PRODUCT SPECIFICATIONS:

- Multi-piece shower module shall be constructed of gelcoat/fiberglass with full integral plywood backing
- Rough-In: Stud opening +1/4" -0" Nominal Dimensions.

C.S.I. FORMAT SPECIFICATION TEXT AVAILABLE

### PRODUCT INFORMATION:

- Accessories: Polished chrome/satin stainless standard, others available.
- Colors: White as standard, others to match any major fixture manufacturer, also available with sprayable solid surface in many colors
- Custom curb heights, other than shown, are available (between min. and max.)

### OPTIONAL ACCESSORIES:

#### INSTALLED BY OTHERS:

- Grab bar
- Seat, folding
- Mixing valve, pressure-balancing, lever handle, pre-plumbed tree to supply elbow
- Soap dish
- Curtain and rod
- T-shaped rubber WaterStopper kit
- Semi-permanent threshold adaptor
- No-caulk brass drain

### CODES:

Designed and manufactured in compliance with the following standards and codes:  
-A.N.S.I. Z124.2 Standards for Plastic Showers  
-UPC / IPC compliant when in accordance with Section 408.6 (UPC, 2021)

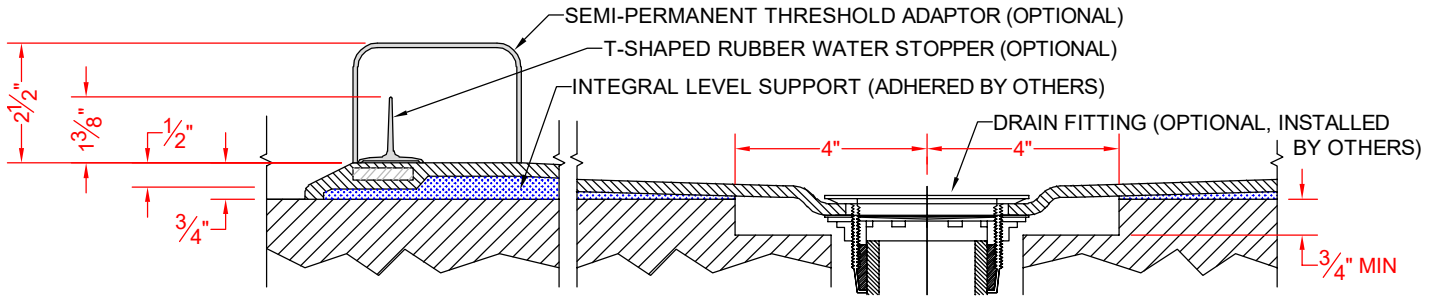
### NOTICE OF LIMITATION:

- Adhere to floor as required
- Not I.P.C. International Plumbing Code & U.P.C. Uniform Plumbing Code for new construction



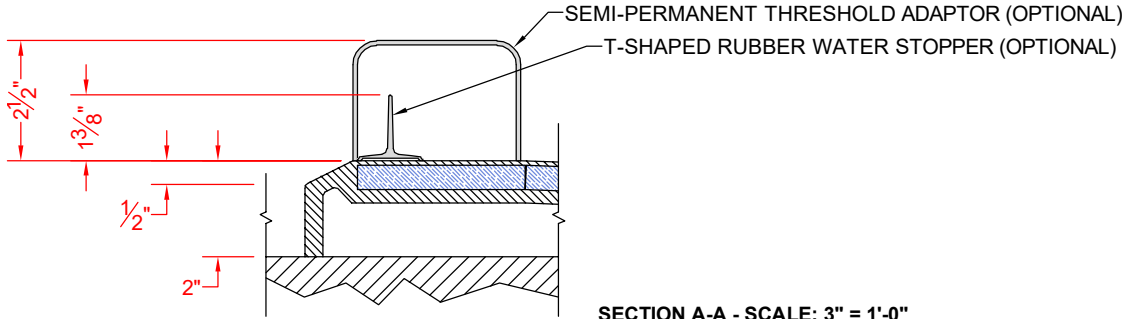
*We reserve the right to make revisions without notice in the design of fixtures or in packaging unless this right has specifically been waived at the time the order is accepted.*

□ 5LBS6030B75B



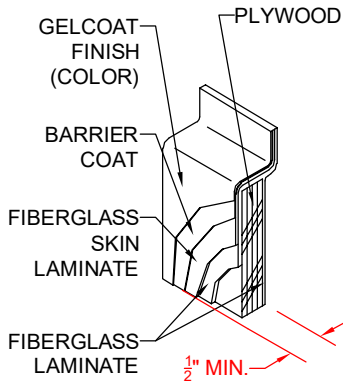
SECTION A-A - SCALE: 3" = 1'-0"

□ 5LBS6030B2B

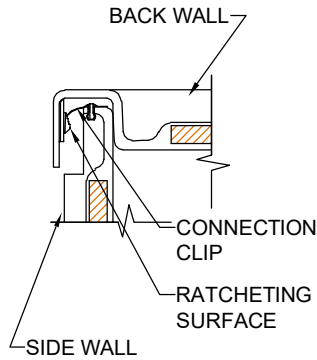


SECTION A-A - SCALE: 3" = 1'-0"

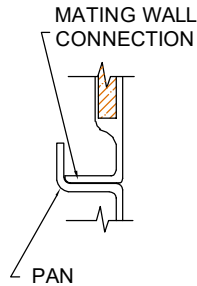
**\*\*OTHER THRESHOLD HEIGHTS AVAILABLE UPON REQUEST\*\***



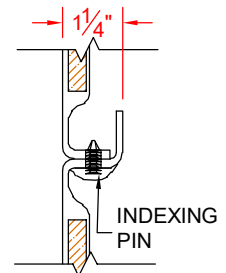
DETAIL CS - SCALE: N.T.S.  
 CROSS SECTION DETAIL



DETAIL CD - SCALE: 3" = 1'-0"  
 CORNER DETAIL



DETAIL PJ - SCALE: 3" = 1'-0"  
 PAN JOINT DETAIL



DETAIL WJ - SCALE: 3" = 1'-0"  
 WALL JOINT DETAIL