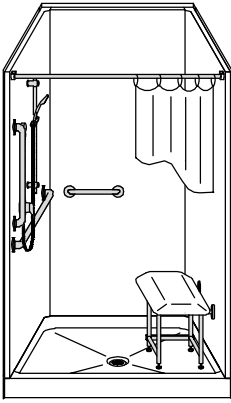


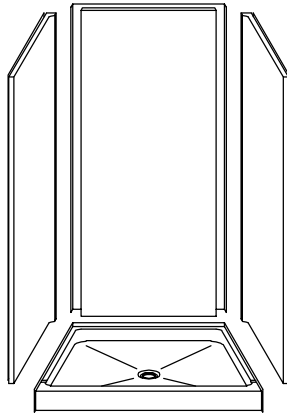
# MODEL: 4LSS3838FB.V2\*

# REMODELER

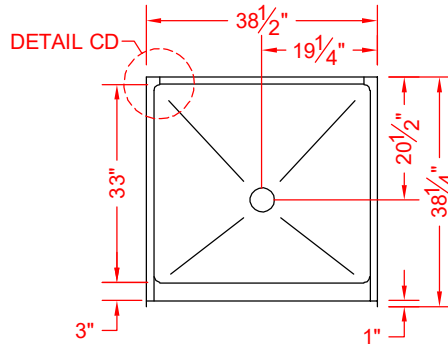
\*ALL ACCESSORIES OPTIONAL



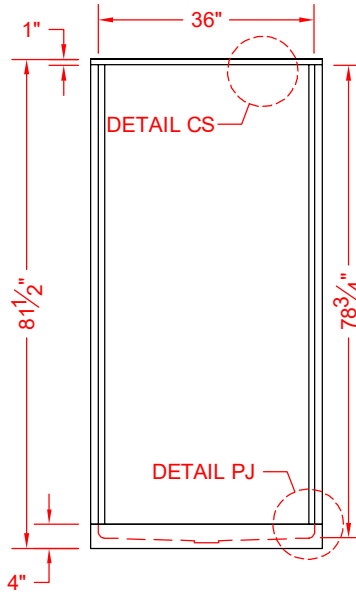
**PERSPECTIVE VIEW - N.T.S.**  
**MODEL SHOWN HERE AS:**  
 LEFT PLUMBING  
 RIGHT SEAT



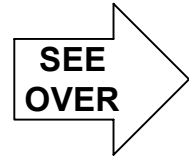
**ASSEMBLY VIEW - N.T.S.**



**TOP VIEW - SCALE  $\frac{3}{8}$ " = 1'-0"**



**FRONT ELEVATION - SCALE:  $\frac{3}{8}$ " = 1'-0"**



## Features:

- Molded, four-piece gelcoat/fiberglass shower module
- "Smooth" wall finish, white (standard)
- Integral full wood backing for strength and unlimited accessory placement
- Flat back wall to avoid interference for window trim kits, grab bars, etc.

\* - SEE BACK FOR DETAIL SECTIONS

## PRODUCT SPECIFICATIONS:

- Multi-piece shower module shall be constructed of gelcoat/fiberglass with full integral plywood backing in the walls
- Door opening: 35-7/8" x 76-1/4"
- Rough-In: Stud opening +1/4" -0" Nominal Dimensions.
- C.S.I. FORMAT SPECIFICATION TEXT AVAILABLE

## PRODUCT INFORMATION:

- Accessories: Polished chrome/satin stainless standard, others available.
- Colors: White as standard, others to match any major fixture manufacturer, also available with sprayable solid surface in many colors

## OPTIONAL ACCESSORIES:

### INSTALLED BY OTHERS:

- Seat, folding
- Grab bar
- Soap dish
- Mixing valve, pressure-balancing, lever handle, pre-plumbed tree to supply elbow
- Curtain rod brackets
- Curtain and rod
- No-caulk brass drain
- Flange-window trim kits

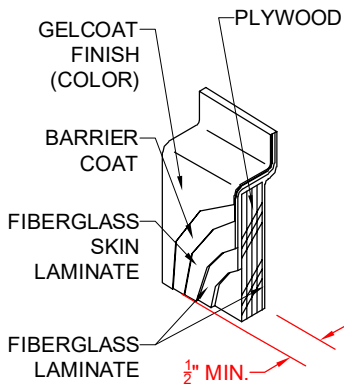
## CODES:

- Designed and manufactured in compliance with the following standards and codes:
- ANSI Z124.2 Standards for Plastic Showers
  - IPC International Plumbing Code
  - UPC Uniform Plumbing Code

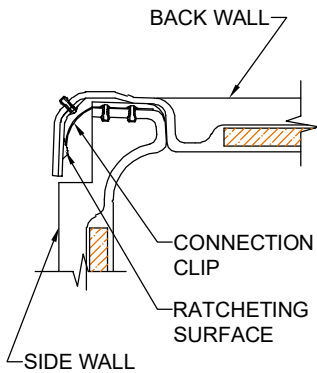
## NOTICE OF LIMITATION:



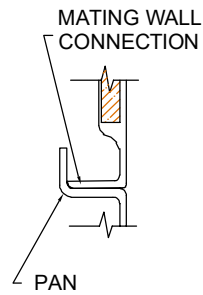
*We reserve the right to make revisions without notice in the design of fixtures or in packaging unless this right has specifically been waived at the time the order is accepted.*



**DETAIL CS - SCALE: N.T.S.  
CROSS SECTION DETAIL**



**DETAIL CD - SCALE: 3" = 1'-0"  
CORNER DETAIL**



**DETAIL PJ - SCALE: 3" = 1'-0"  
PAN JOINT DETAIL**