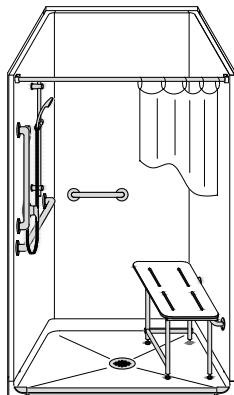


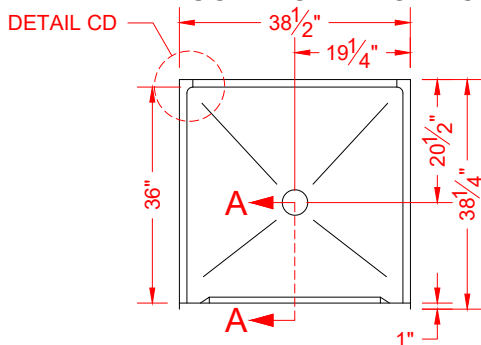
MODEL: 4LSS3838FB5B.V2*

BARRIER FREE

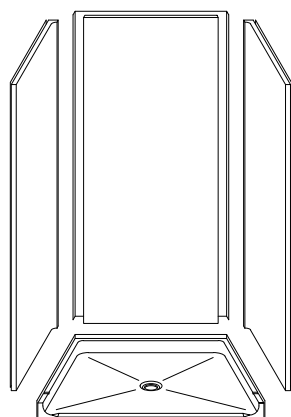
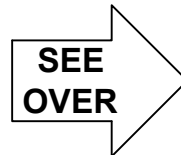
*ALL ACCESSORIES OPTIONAL



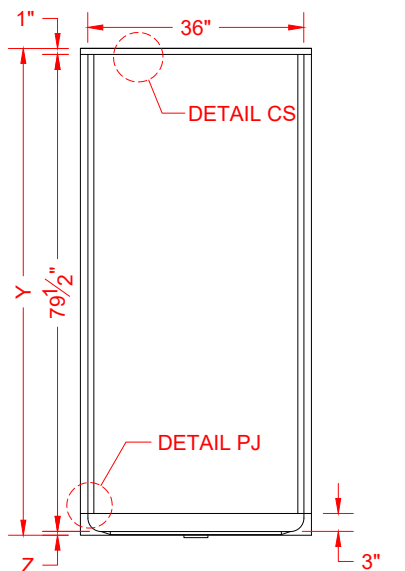
PERSPECTIVE VIEW - N.T.S.



TOP VIEW - SCALE $\frac{3}{8}'' = 1'-0''$



ASSEMBLY VIEW - N.T.S.



FRONT ELEVATION - SCALE: $\frac{3}{8}'' = 1'-0''$

Features:

- Molded, four-piece gelcoat/fiberglass barrier free shower module
- Smooth wall finish, white (standard)
- Integral full wood backing for strength and unlimited accessory placement
- Flat back wall to avoid interference for window trim kits, grab bars, etc.
- Available in various threshold heights
- On all threshold heights 1-1/4" or shorter, no mud set is required and an anchoring adhesive kit is supplied
- On all threshold heights 1-1/2" or taller, no mud set is required

*OTHER THRESHOLD HEIGHTS AVAILABLE UPON REQUEST

MODEL #	UNIT HEIGHT	THRESHOLD HEIGHT
	Y	Z*
4LSS3838FB5B.V2	81-1/8"	5/8" MIN
4LSS3838FB2B.V2	82-1/2"	2" MAX

* - SEE BACK FOR DETAIL SECTIONS

PRODUCT SPECIFICATIONS:

- Multi-piece shower module shall be constructed of gelcoat/fiberglass with full integral plywood backing
- Rough-In: Stud opening +1/4" -0" Nominal Dimensions.

C.S.I. FORMAT SPECIFICATION TEXT AVAILABLE

PRODUCT INFORMATION:

- Accessories: Factory installed, unless prone to damage during installation/shipping. Polished chrome/satin stainless standard, others available.
- Colors: White as standard, others to match any major fixture manufacturer, also available with sprayable solid surface in many colors
- Custom curb heights, other than shown, are available (between min. and max.)

OPTIONAL ACCESSORIES:

INSTALLED BY OTHERS:

- Seat, folding
- Grab bar
- Soap dish
- Mixing valve, pressure-balancing, lever handle, pre-plumbed tee to supply elbow
- Curtain rod brackets
- Curtain and rod
- Flange-Window trim kits
- T-shaped WaterStopper kit
- Semi-permanent threshold adapter
- No-caulk brass drain

CODES:

Designed and manufactured in compliance with the following standards and codes:

- ANSI Z124.2 Standards for Plastic Showers
- UPC / IPC compliant when in accordance with Section 408.5 (UPC, 2021)

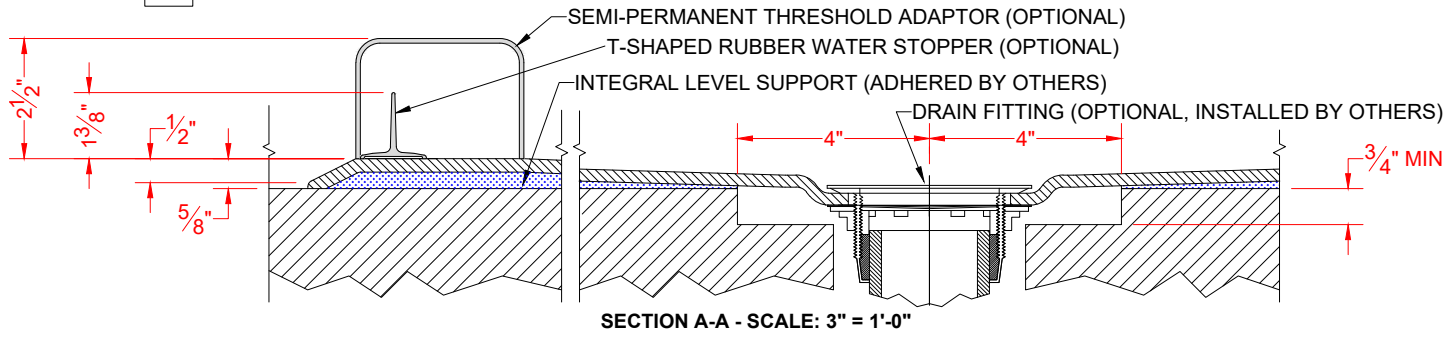
NOTICE OF LIMITATION:

- Adhere to floor as required

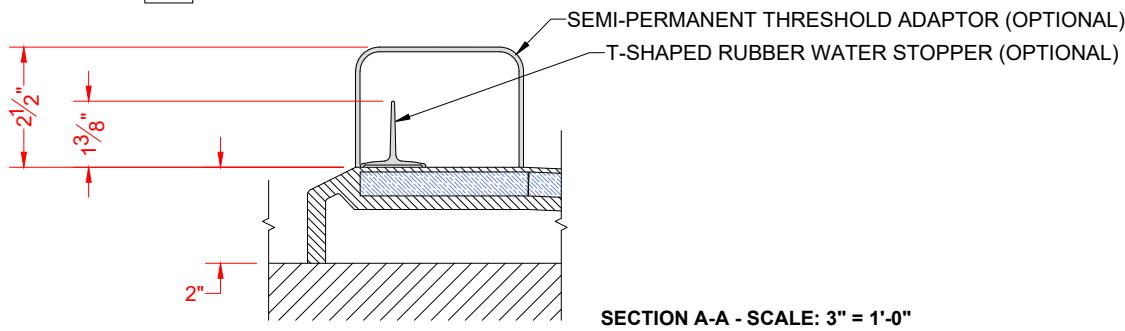


We reserve the right to make revisions without notice in the design of fixtures or in packaging unless this right has specifically been waived at the time the order is accepted.

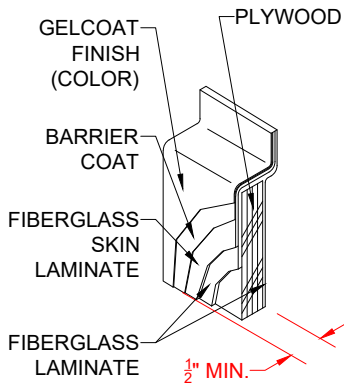
4LSS3838FB5B.V2



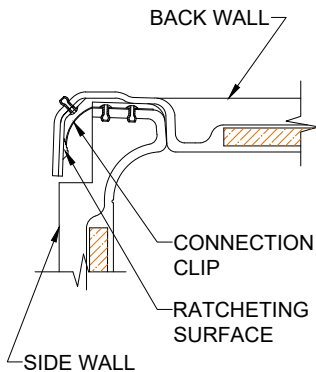
4LSS3838FB2B.V2



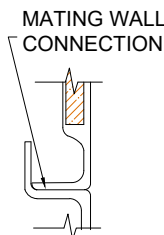
****OTHER THRESHOLD HEIGHTS AVAILABLE UPON REQUEST****



DETAIL CS - SCALE: 3" = 1'-0"
 CROSS SECTION DETAIL



DETAIL CD - SCALE: 3" = 1'-0"
 CORNER JOINT DETAIL



DETAIL PJ - SCALE: 3" = 1'-0"
 PAN JOINT DETAIL