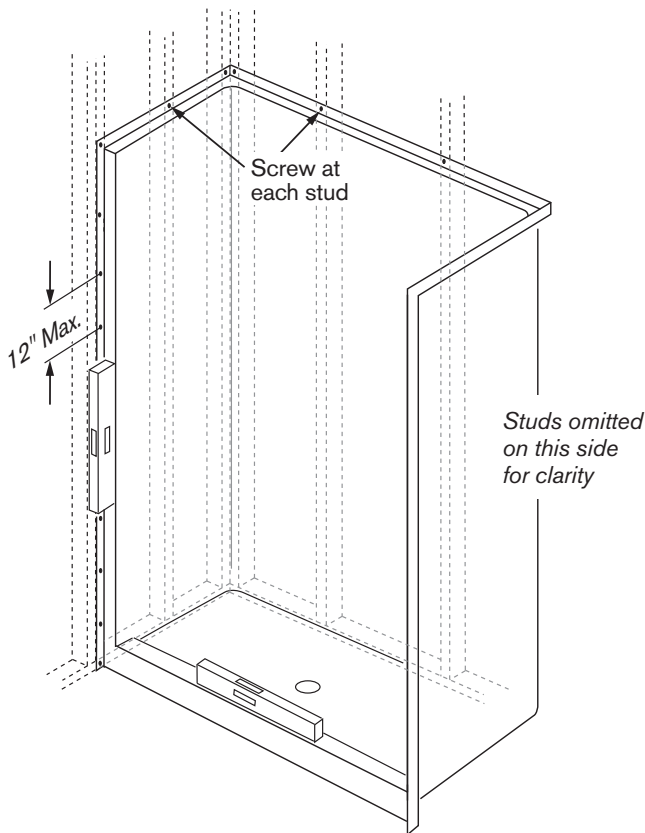


1-Piece Shower

with solid core, reinforced bottom

- 1 Check shower pocket area for level and for correct dimensions. Make sure drain hole in floor is in the correct position.
- 2 **DRY-FIT THE SHOWER:** Set shower unit in the pocket. You **MUST** use a level to ensure unit is level. Shim if necessary.

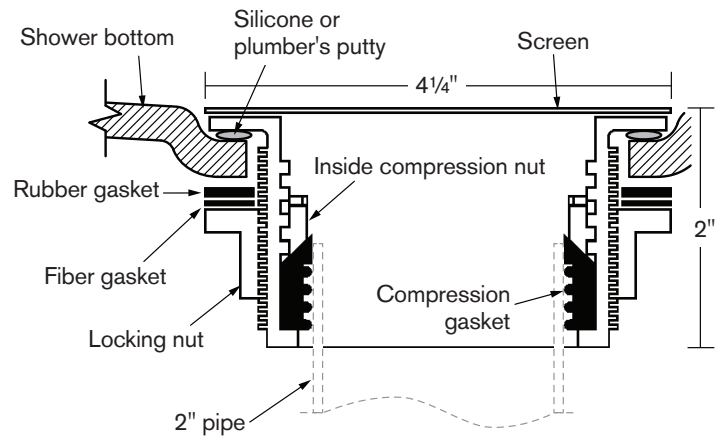


- 3 Remove shower unit from the framing pocket. Have a plumber install drain fitting in shower bottom (see Steps 7–9). Plumber should also prepare drain pipe to receive the drain.

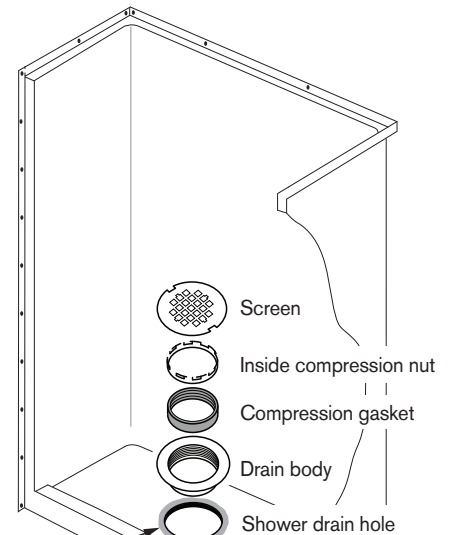
! To avoid deforming the shower bottom, once drain fitting is installed **DO NOT** store the unit resting on the drain.

- 4 Sweep the floor and remove all debris from pocket area, then position shower in pocket.
- 5 Make sure floor drains properly by pouring water on it or checking it with a level. If in doubt, remove shower and review the previous steps.
- 6 Screw flanges to framing at 12" maximum on-center vertically and horizontally at each stud.

Cross-section of drain (installed)



- 7 Remove inside compression nut and compression gasket.
- 8 Apply silicone or plumber's putty around shower drain hole on the inside of shower only.
- 9 Install drain body in shower drain hole.



- 10 Install rubber gasket, fiber gasket and locking nut; tighten locking nut.
- 11 Install shower unit over drain pipe (or install pipe later.)
- 12 Slide inside compression gasket into drain body and slip over pipe. **Make sure beveled end of inside compression gasket is facing up and is flush with pipe surface.**
- 13 Tighten inside compression nut into drain body using the tool provided.