

B46CNM06XX Series Family

Acrylic stone sink with shallow basin, curved front, elbow rests

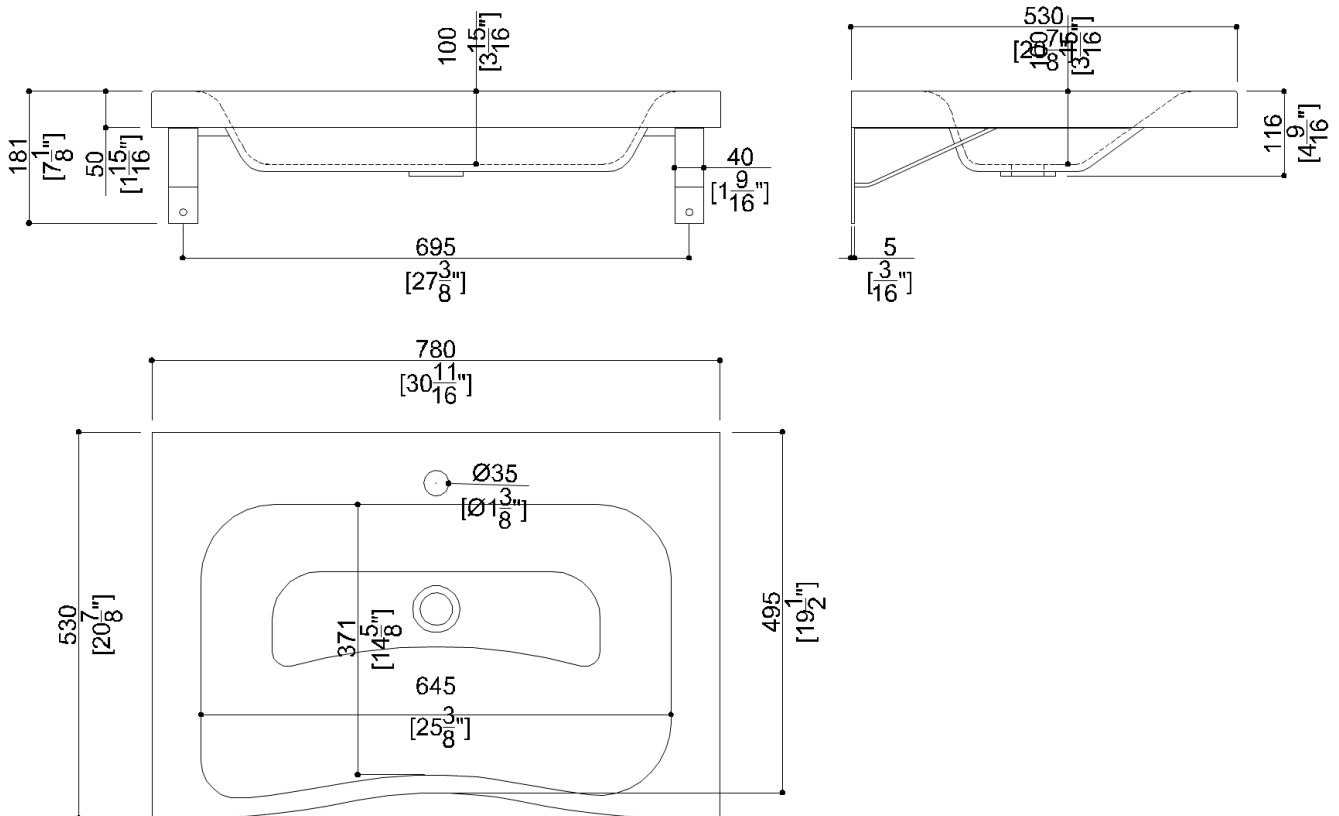
The washbasin frame, which integrates the fixing brackets, is available in stainless steel or, alternatively, in epoxy-polyester powder coated steel. Mounting hardware not supplied.

Product Data

Overall Dimensions (Inch.)	30-11/16x20-7/8x7-1/8
Net Weight (lbs.)	26.9

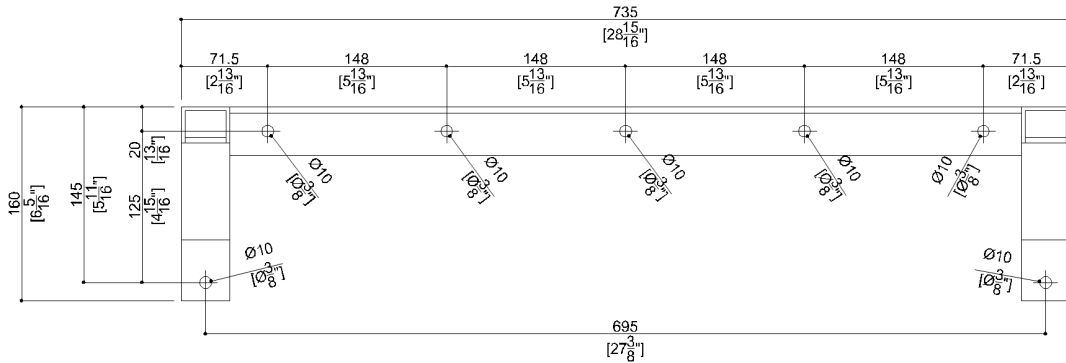
Packaging Details

Package	Wooden crate package
Package dimensions (Inch.)	33-7/8 x 24 x 10-3/16
Weight with Packaging (lbs.)	47.4



B46CNM06XX Series Family

Fixing bracket



Available Finishes (xx)

Washbasin

- W3 Alpine white

Frame with brackets

- C1 Chrome
- D8 Oxide Gray
- W2 Warm white

Materials and finishes

Acrylic stone	Matt
Stainless Steel	Polished

Load Capacity

Vertical 331 lbs.

Warning

Before installation and use, read the installation and use instructions in their entirety. If questions arise please contact Ponte Giulio company.

Cleaning

Product can be cleaned with a cloth and warm soapy water. Non abrasive, solvent free cleaners can also be used.

Warranty

Please visit www.pontegiulio.com for complete warranty details.