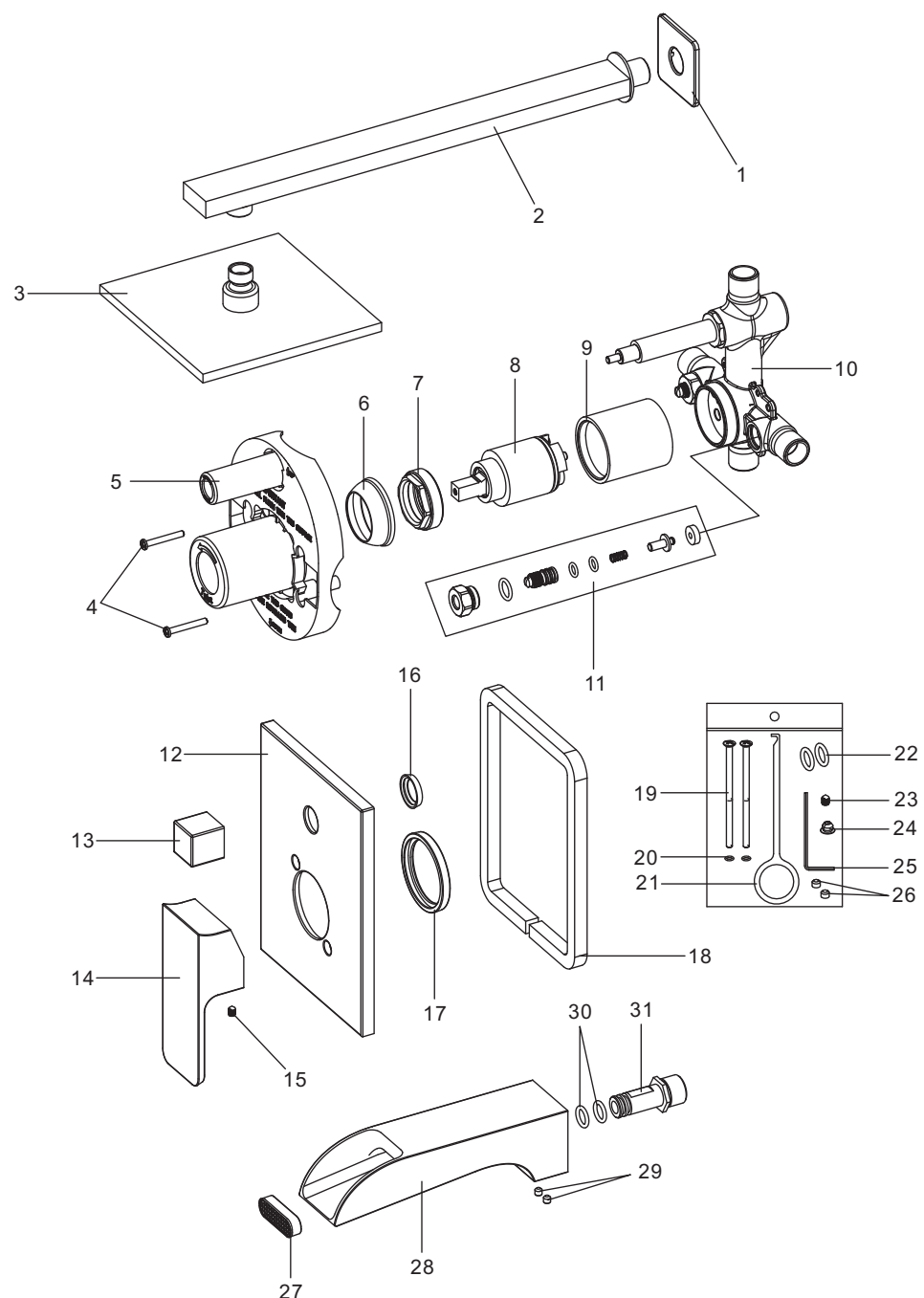
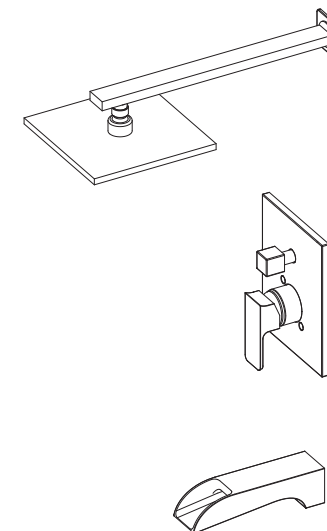


Step 4 Parts list



NO.	PART NAME
1	Flange
2	Shower arm
3	Shower head
4	Screw
5	Protect cover
6	Trim cap
7	Cartridge locknut
8	Cartridge
9	Sleeve
10	Body
11	Check valve
12	Trim plate
13	Knob
14	Handle
15	Screw
16	Joint
17	Joint
18	Joint
19	Screw
20	O-ring
21	Aerator wrench
22	O-ring
23	Screw
24	Index
25	Allen key
26	Button
27	Aerator
28	Spout
29	Screw
30	O-ring
31	Connector

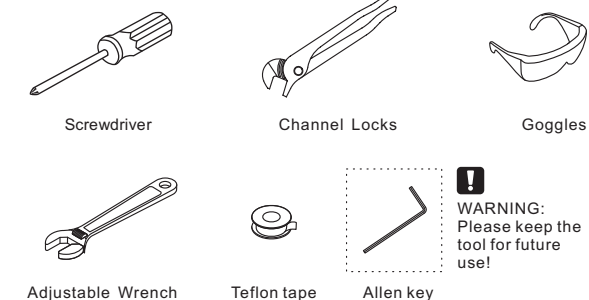


SINGLE HANDLE PRESSURE
BALANCED TUB & SHOWER SET



ASME A112.18.1/CSA B125.1

RECOMMENDED TOOLS

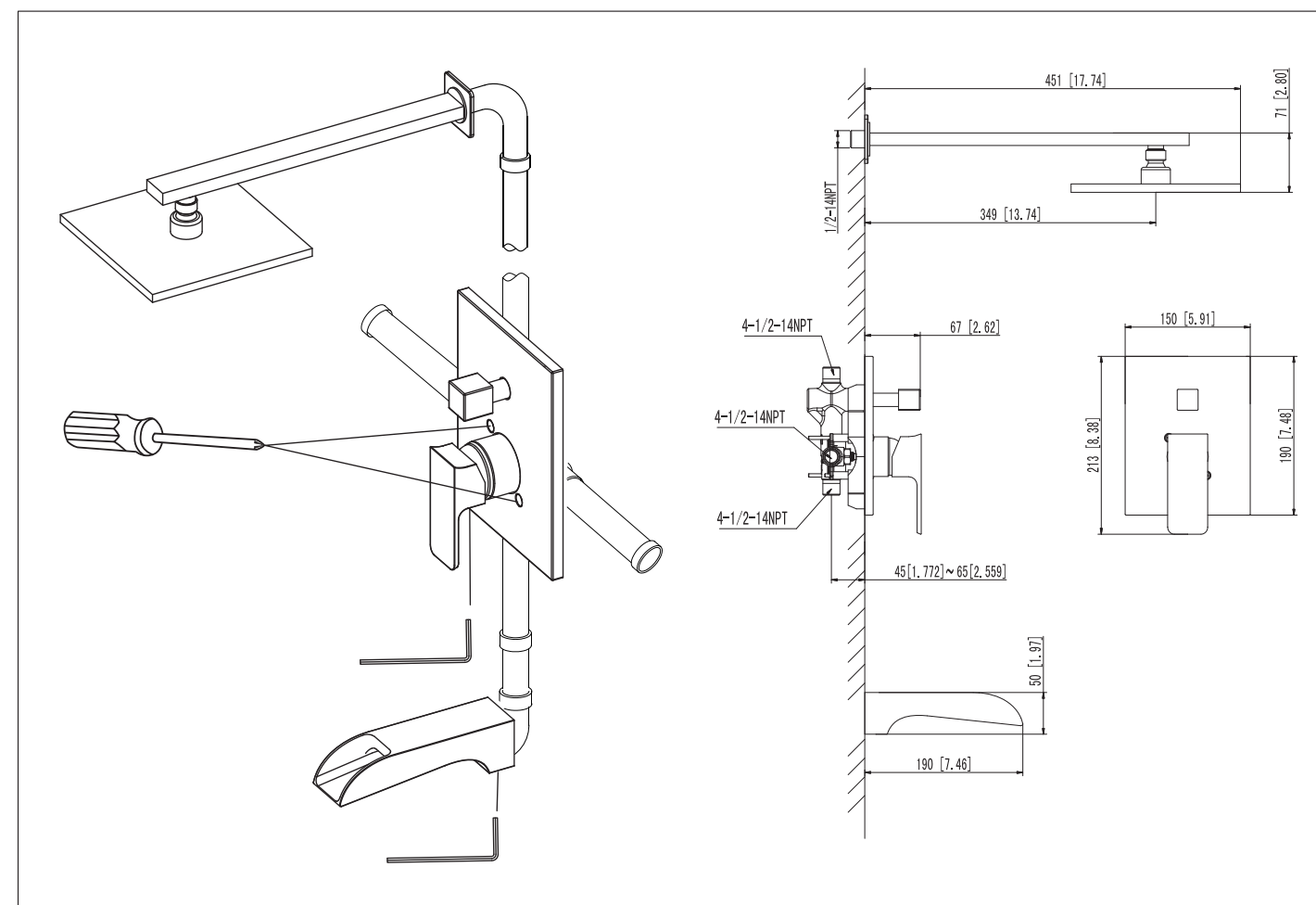


WARNING:
Please keep the tool for future use!

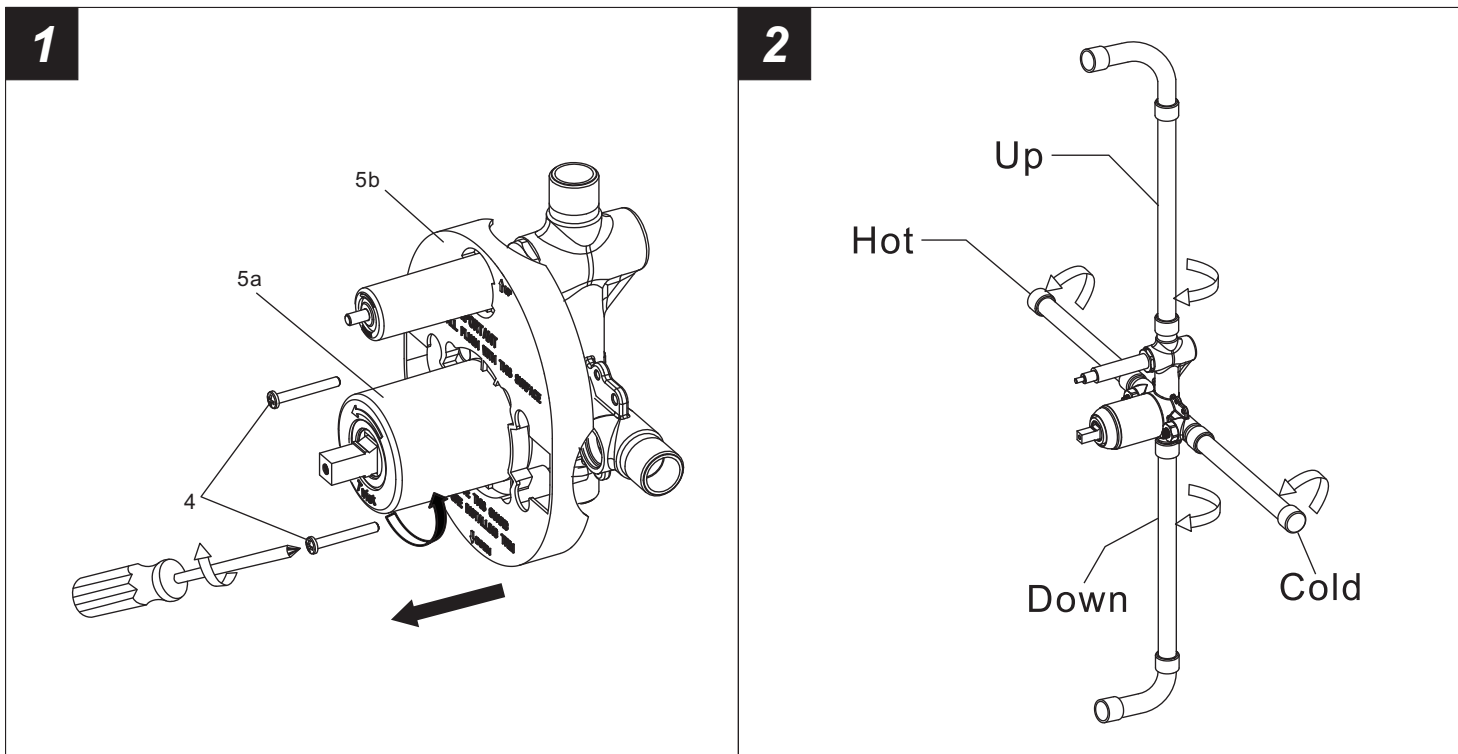


Attention:
for easy installation, you will need:
1. To read all the installation instruction completely before beginning.
2. To read all the warning, attention and maintenance information.

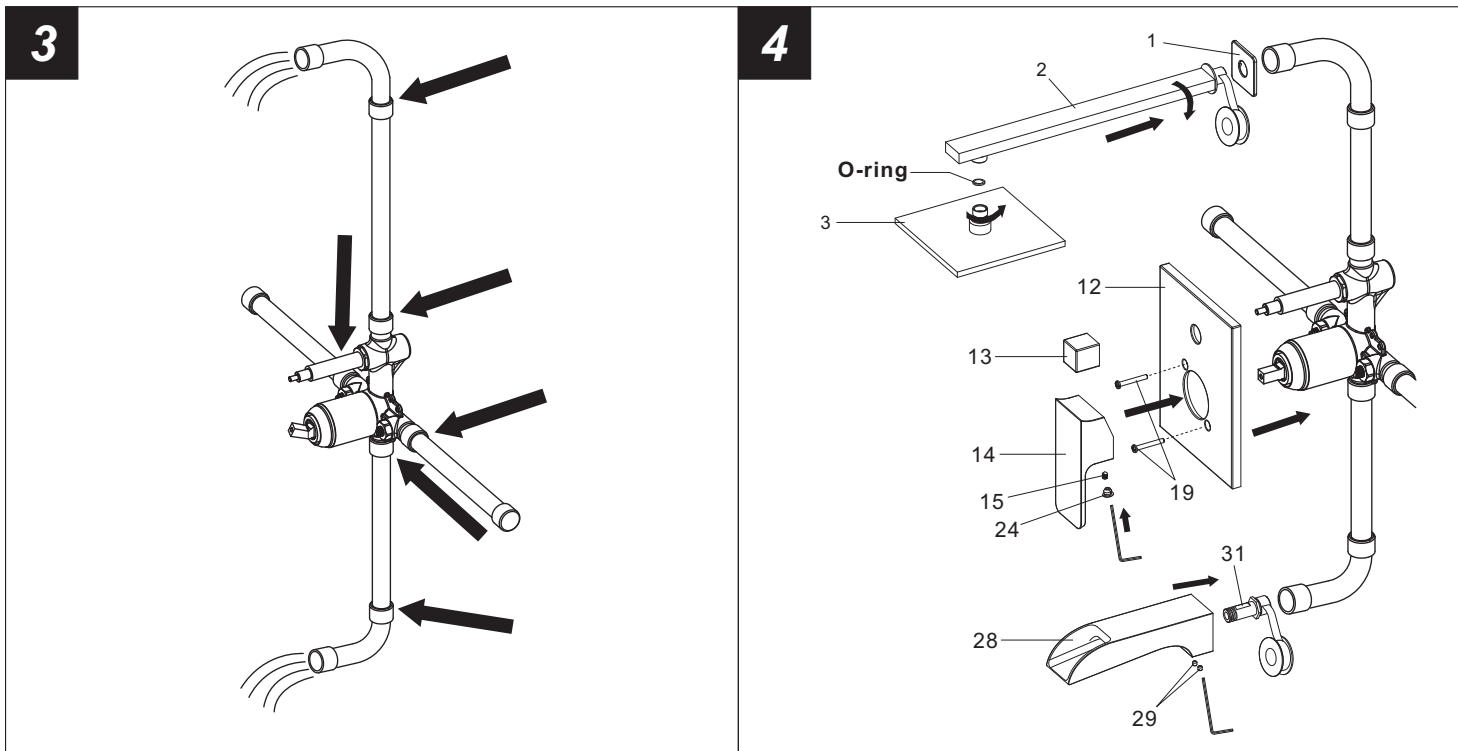
The tools might be applied to the following places:



Step 1 Faucet installation

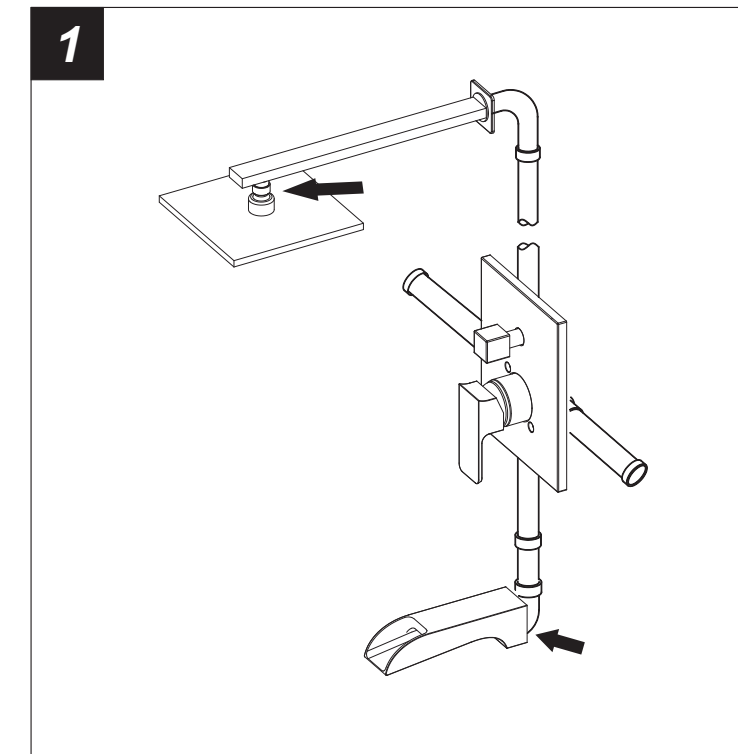


1. Remove the protect cover #5a and take out the screw #4 with the screwdriver, then remove the protect cover #5b.
2. Connect pipes with faucet as photo, pay attention to the connection of hot and cold water supply pipe.



3. Let the water run for one minute. Check all connections for leakage.
4. Apply teflon tap to the shower arm #2, put flange #1 and connect it to water supply pipe, after fixing the shower arm, screw the shower head #3 to the shower arm. **ATTENTION: don't forget the o-ring between the shower arm #2 and the shower head #3.** Put the trim plate #12, fix it with screws #19, tighten them with screw driver. Put the knob #13, and fix the handle #14 with screw #15, finally put the index #24. Apply toflon tape to the connector #31 and assemble it to the pipe. Then connect the connector #31 to the spout #28 and fix it with the screws #29.

Step 2 Checking and testing



Check all connections at arrows for leaks, re-tighten it if necessary.

!
BUT DON'T OVERTIGHTEN

Step 3 Cleaning and care

Daily cleaning and care are required in order to keep the product shining and properly working.

- 1 Clean it with water and dry it with soft cloth.
- 2 Clean the product with gentle liquid or glass cleaner.
- 3 Don't use acid cleaner.
- 4 Don't clean with abrasive material, abrasive paper or knife.