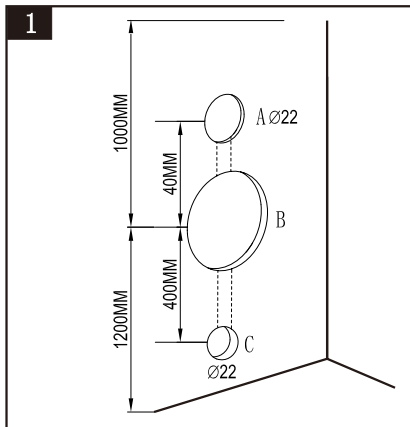
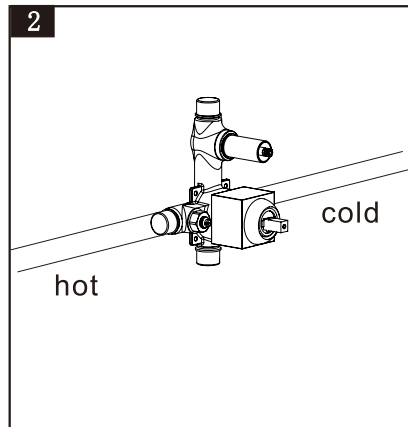


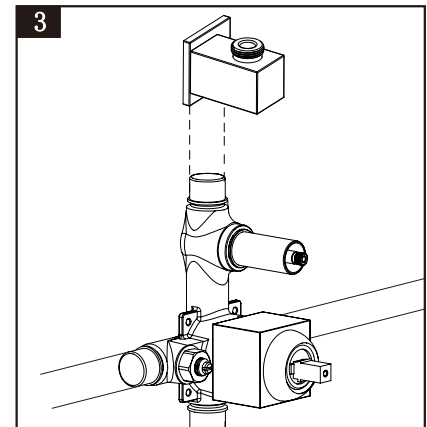
## INSTALLATION PROCEDURES



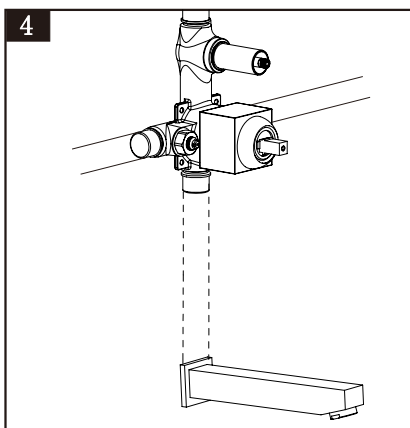
1 Drill holes according to the drawing. Distance between could be adjusted.



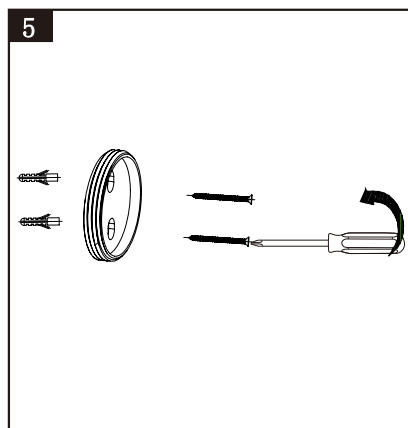
2 Connect hot and cold tubes.



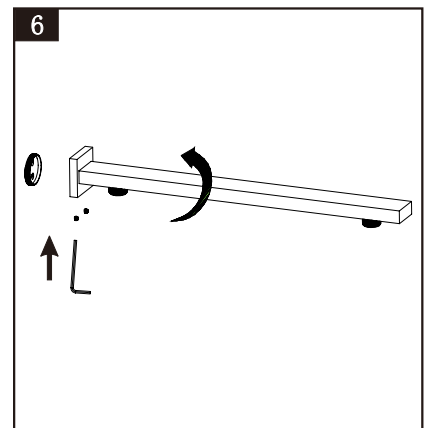
3 Connect the outlet connector (No.25 at drawing), tight it.



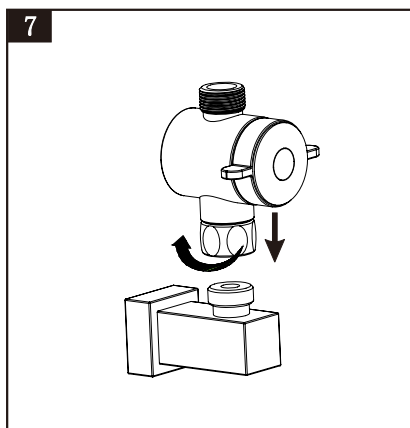
4 Install the spout under, tight the nut at back



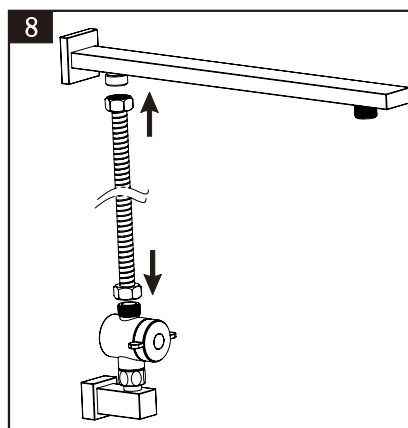
5 Take out the fix part of the shower arm, and assemble it on the upper position of the wall.



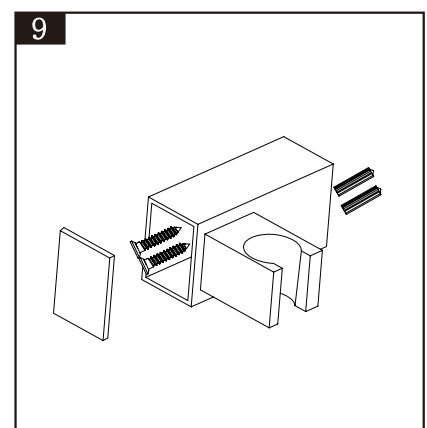
6 Install the shower arm on it, adjust the arm at right position, then tighten the Allen screw.



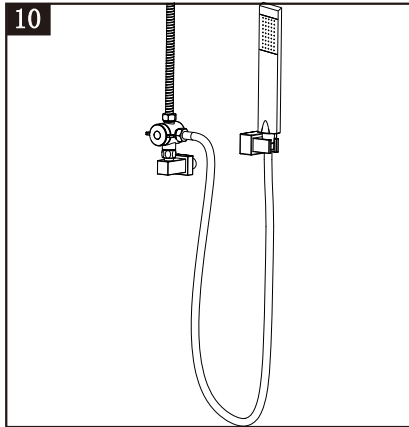
7 Install the diverter on the outlet connector



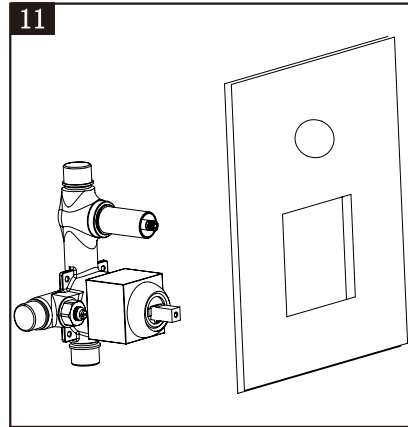
8 Connect the diverter and the shower arm with the short hose



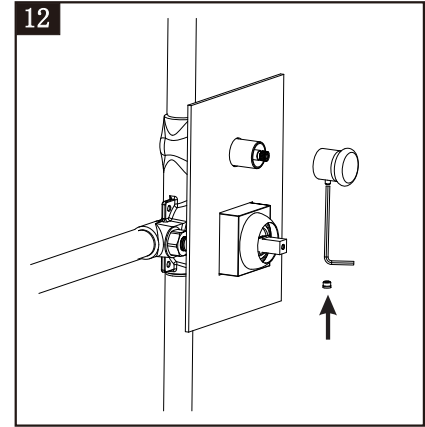
9 Take out the screws in the shower holder, and install the holder on wall



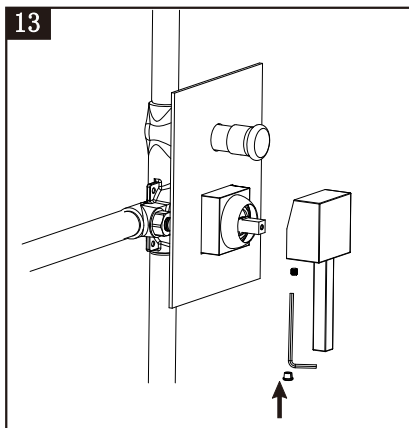
10  
Connect the hand shower and the diverter with the long hose



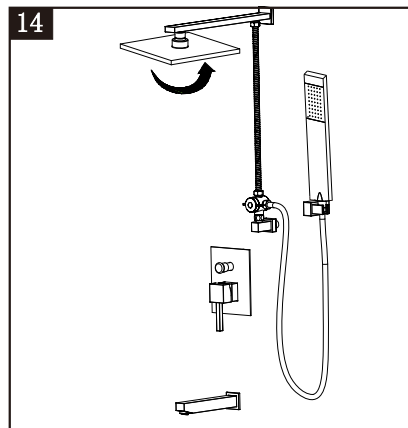
11  
Assemble the cover plate on the body valve



12  
Fix the diverter handle with allen screw



13  
Install the handle



14  
Finally install the head shower on

### CAUTION: Maintenance

- 1.Replacement parts may be available at the store where you purchased your faucet .
- 2.Always turn off water and relieve pressure working before on your faucet.

### NOTES: Cleaning Instructions

- 1.To keep the faucet clean you should clean the faucet frequently.
- 2.Clean the faucet with clear water or mild ,then dry the faucet with soft cotton cloths.
- 3.Do not use any abrasive cleansers cloths ,or paper towel.
- 4.Do not use any acid or abrasive detergent.