

**PVC2430D15-SWO, PVC2430D20-SWO,
PVC3240D15-SWO, PVC3240D20-SWO,
PVC4048D15-SWO, PVC4048D20-SWO,
PVC4856D15-SWO, PVC4856D20-SWO,
PVC5664D15-SWO, PVC5664D20-SWO,
PVC6472D15-SWO, PVC6472D20-SWO**

SHOWERLINE^{drain}

by **QUICKDRAIN USA**

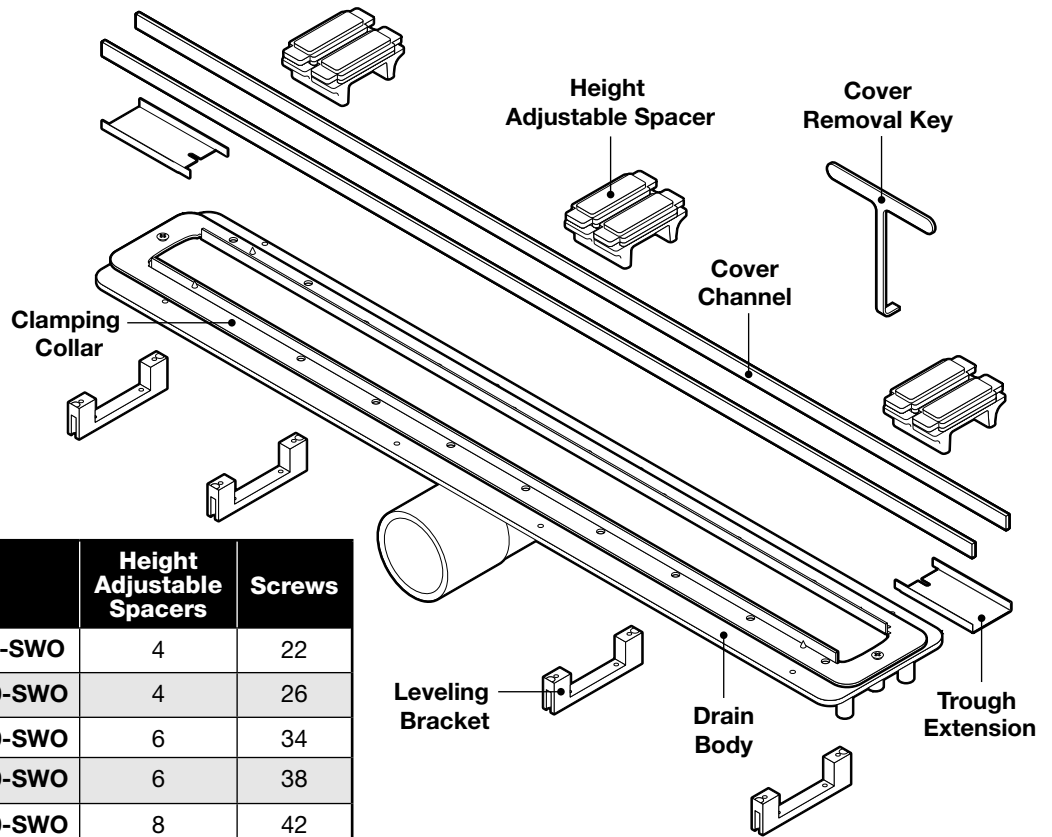
Features

- Most important special feature is the internally sloped trough. This feature is a key to no stagnant water sitting in the trough any time and eliminates hard water build up
- Length adjustability of drain body with use of trough extensions (4" for each side, 8" total) to accommodate drain sizes from 24" - 72"
- Height adjustability of drain cover with use of spacers for different thicknesses of finish material from 3/8" to 3/4"
- Use with any kind of waterproofing: topical sheet waterproofing (QTS, Kerdi™, Noble TS™), topical liquid waterproofing (AquaDefense™, RedGard™, Hydro Ban™, Ardex 8+9™), hot mop, lead pan, PVC vinyl liner, rubber liner, Chloraloy™, copper pan and fiberglass
- Drain capacity for 2" outlet is 12 GPM in a shower pan with curb and 5 GPM in a shower pan without a curb at the entry. For 1.5" outlet it's 9 GPM and 3.5 GPM. (the actual volume is limited by the plumbing lines and P-trap).

Drain assembly includes

- PVC Parts:
 - Drain body (1)
 - Leveling Brackets (4)
 - Height Adjustable Spacers*
- 304 Stainless Steel Parts:
 - Clamping collar (1)
 - Cover Channel (2)
 - Trough Extension (2)
 - Screws*
- Other:
 - Cover Removal Key (2)

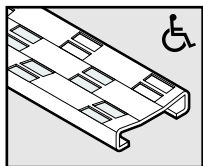
*See chart for part quantities of different drain lengths.



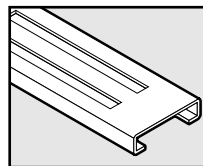
Model Number	Height Adjustable Spacers	Screws
PVC2430D15-SWO, PVC2430D20-SWO	4	22
PVC3240D15-SWO, PVC3240D20-SWO	4	26
PVC4048D15-SWO, PVC4048D20-SWO	6	34
PVC4856D15-SWO, PVC4856D20-SWO	6	38
PVC5664D15-SWO, PVC5664D20-SWO	8	42
PVC6472D15-SWO, PVC6472D20-SWO	8	50

Required Part (not included) - Drain Cover

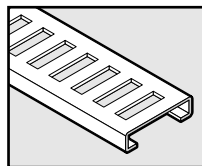
- Available in the designs below and in these lengths – 32", 40", 48", 56", 64", and 72"



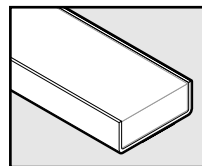
Cosmo



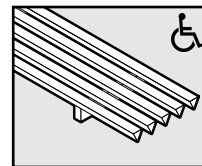
Horizontal *



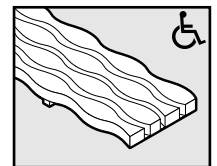
Vertical *



Tilein *



Lines



Stream

*Not recommended for curbless entry showers

Rev JAN 2015
(pg. 1 of 2)



Office : 970.668.0805 or 866.998.6685 | Fax: 866.357.8502 | P.O. Box 1358 | Frisco, Colorado 80443

quickdrainusa.com

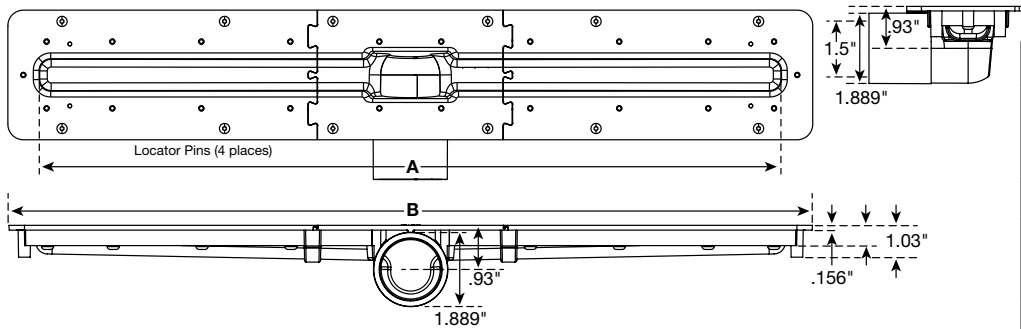
Before installing QuickDrain USA system, check with your local building department/plumbing inspector to ensure compliance with the local building codes. QuickDrain USA LLC is not responsible for improper installation of any part of the assembly or the waterproofing membrane. Dimensions are subject to manufacturer's tolerance and can change without notice.

**PVC2430D15-SWO, PVC2430D20-SWO,
PVC3240D15-SWO, PVC3240D20-SWO,
PVC4048D15-SWO, PVC4048D20-SWO,
PVC4856D15-SWO, PVC4856D20-SWO,
PVC5664D15-SWO, PVC5664D20-SWO,
PVC6472D15-SWO, PVC6472D20-SWO**

SHOWERLINE[®] drain

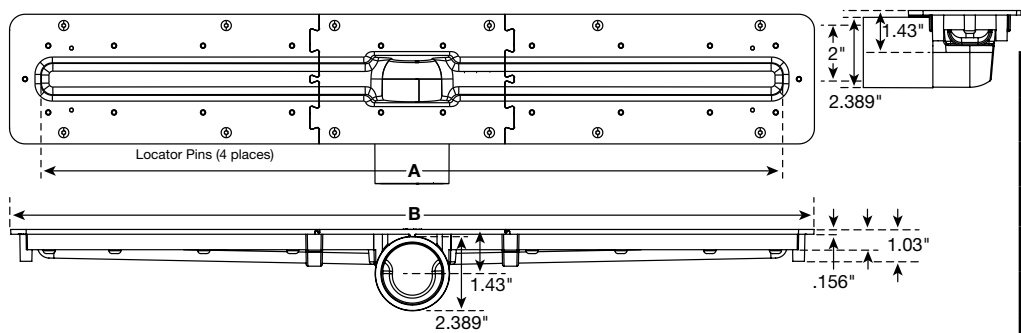
by **QUICKDRAIN USA**

Dimensions (1-1/2" Side Waste Outlet)



Model	A	B
PVC2430D15-SWO	24"	26"
PVC3240D15-SWO	32"	34"
PVC4048D15-SWO	40"	42"
PVC4856D15-SWO	48"	50"
PVC5664D15-SWO	56"	58"
PVC6472D15-SWO	64"	66"

Dimensions (2" Side Waste Outlet)



Model	A	B
PVC2430D20-SWO	24"	26"
PVC3240D20-SWO	32"	34"
PVC4048D20-SWO	40"	42"
PVC4856D20-SWO	48"	50"
PVC5664D20-SWO	56"	58"
PVC6472D20-SWO	64"	66"

Installation Notes

- Drain body can not be cut, but can be extended with use of trough extensions.
- Drain cover can be cut on site to fit wall to wall (curb) installation!
- Cutaway illustration (shown) is sheet waterproofing with foam panel installation. **For different types of installations, please see other cutaway illustrations at www.quickdrainusa.com**

- | | |
|---|--|
| 1 Stud wall | 13 Height adjustable spacer |
| 2 Backer board | 14 Pre-sloped interlocking drain support frame |
| 3 Wall tile and grout | 15 Drain cover |
| 4 Thin-set (for wall tile) | 16a PVC-to-PVC connection |
| 5 Sheet wall waterproofing | 16b Shielded no-hub coupling |
| 6 Sheet shower pan waterproofing | 17 Cover channel |
| 7 Thin-set | 18 Through extension |
| 8 Pre-sloped interlocking PET foam panels | 19 Clamping collar |
| 9 Thin-set | 20 Drain body |
| 10 Flat foam panel | |
| 11 Thin-set | |
| 12 Sub-floor | |

