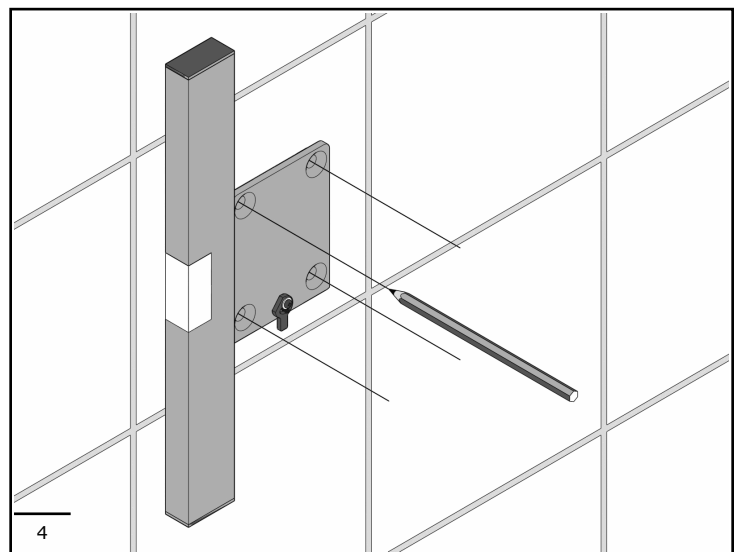
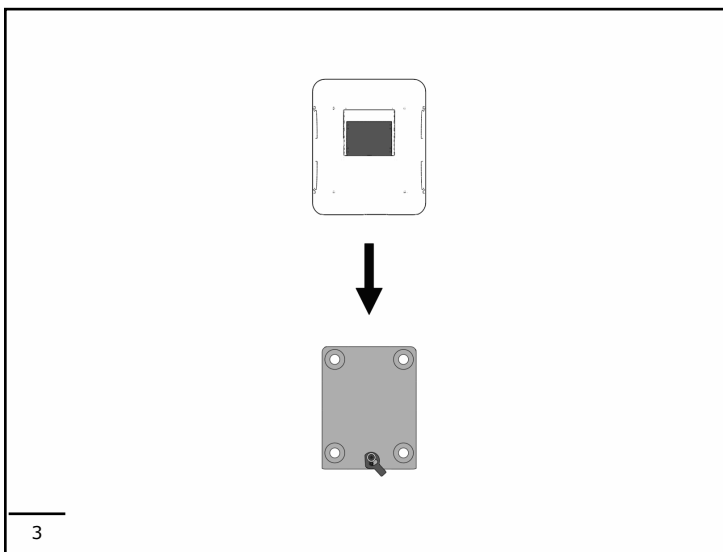
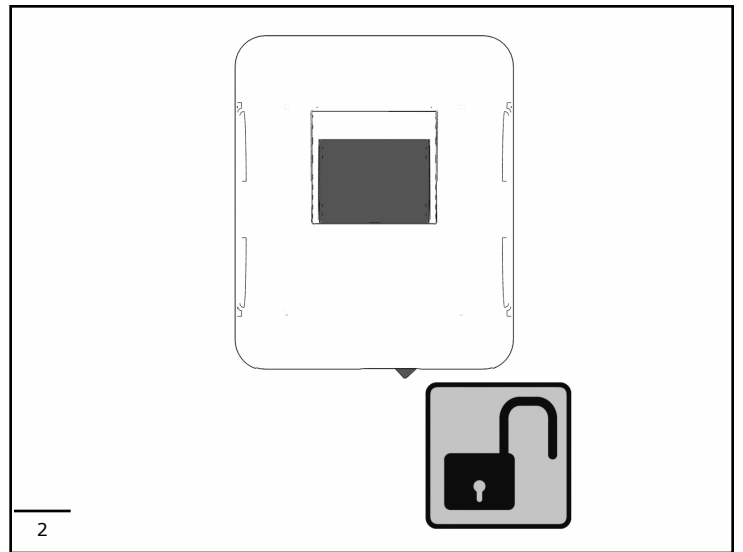
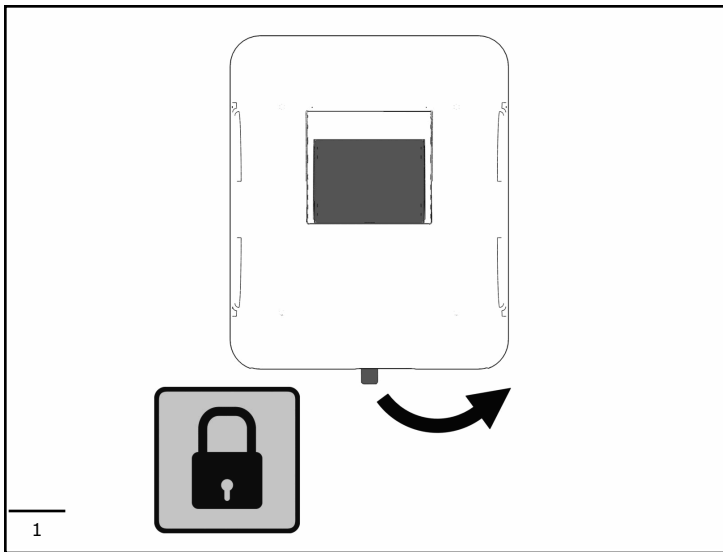
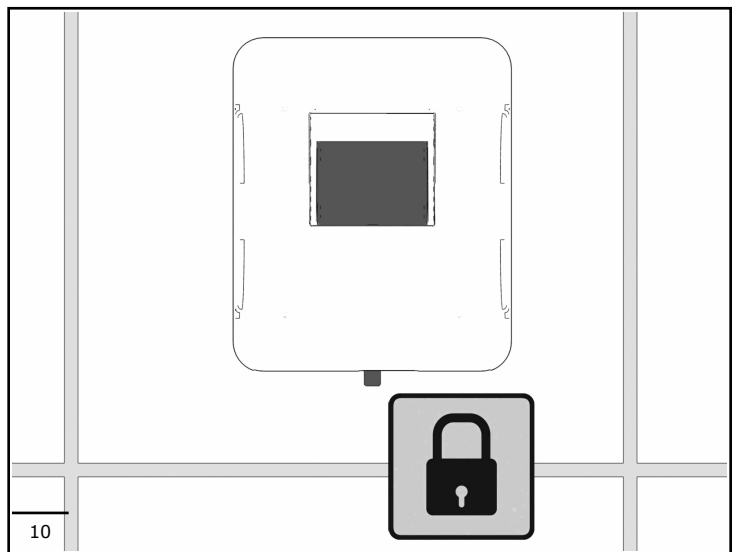
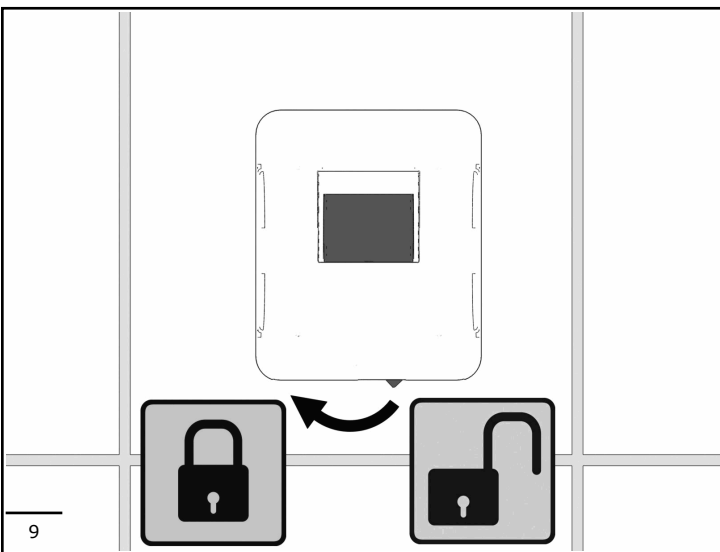
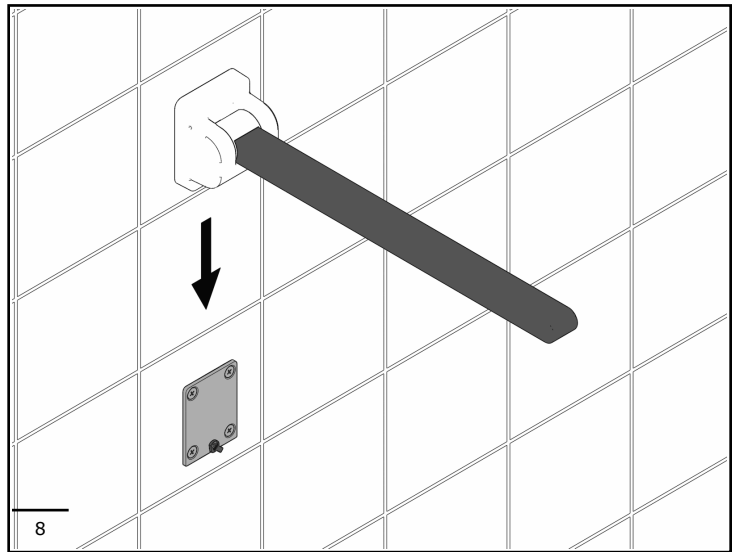
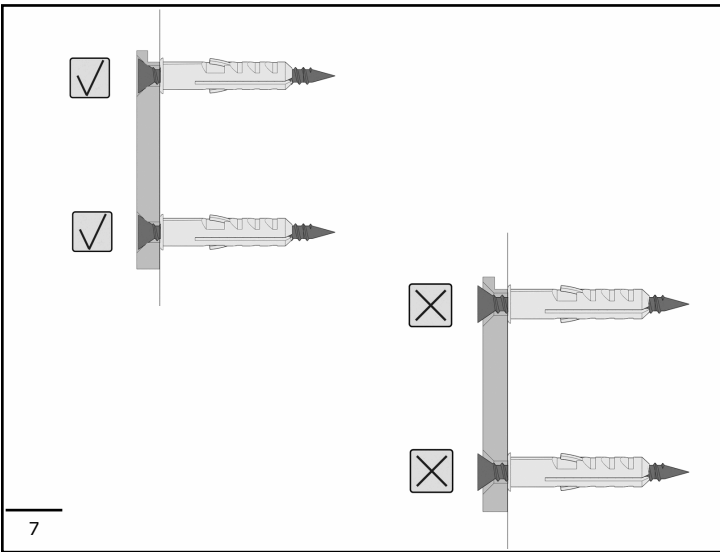
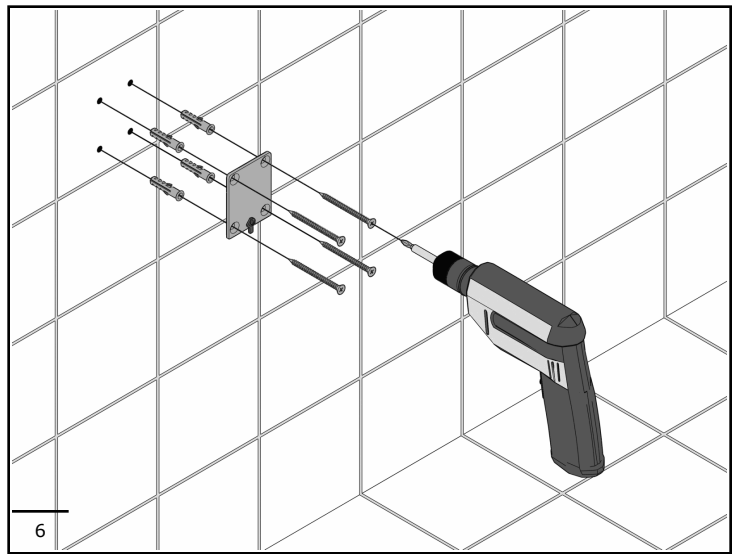
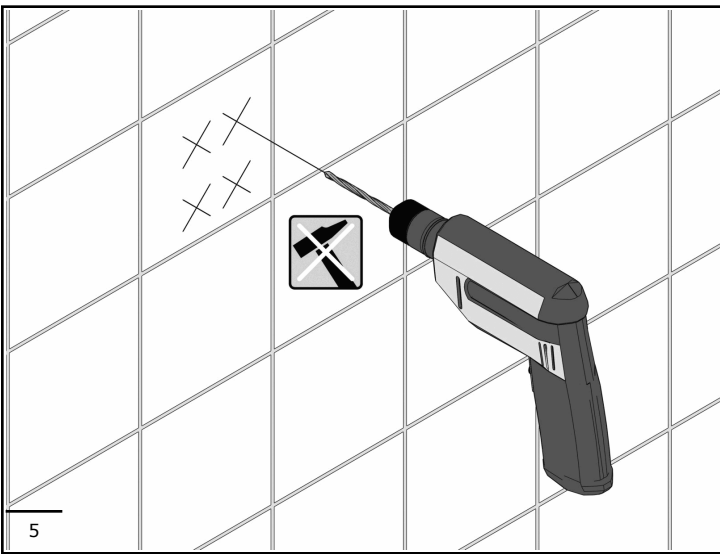
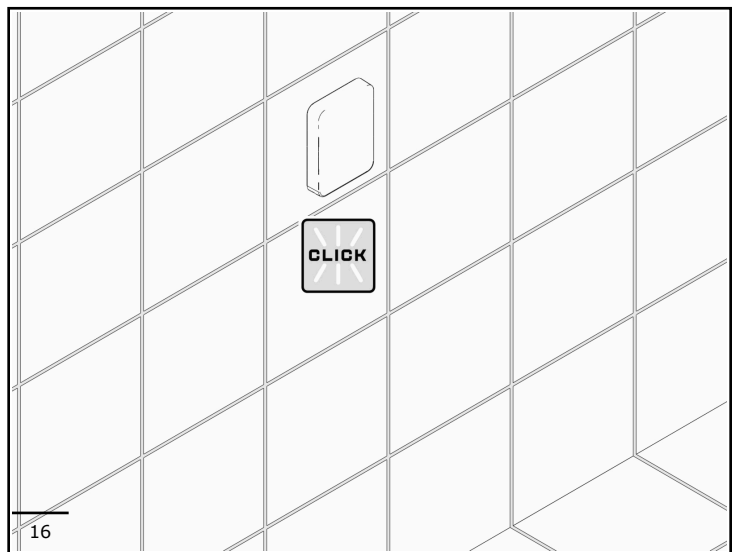
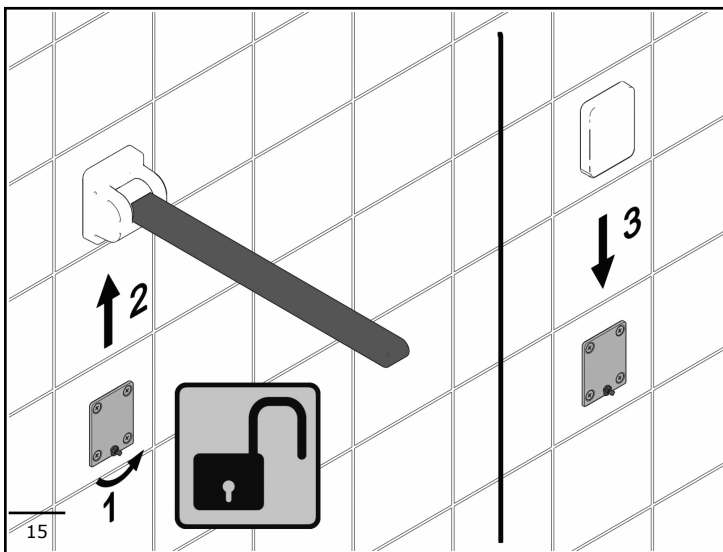
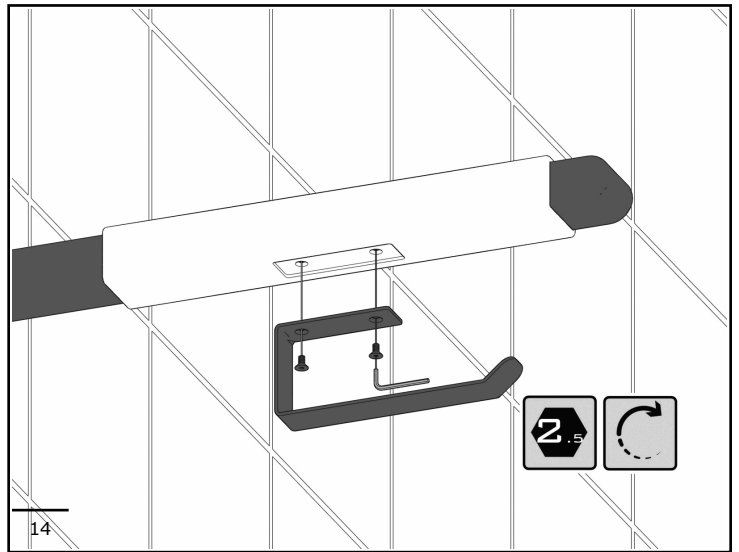
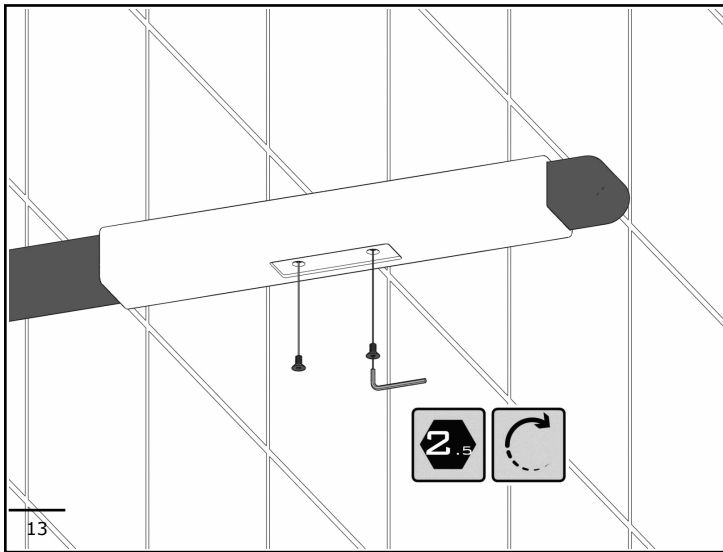
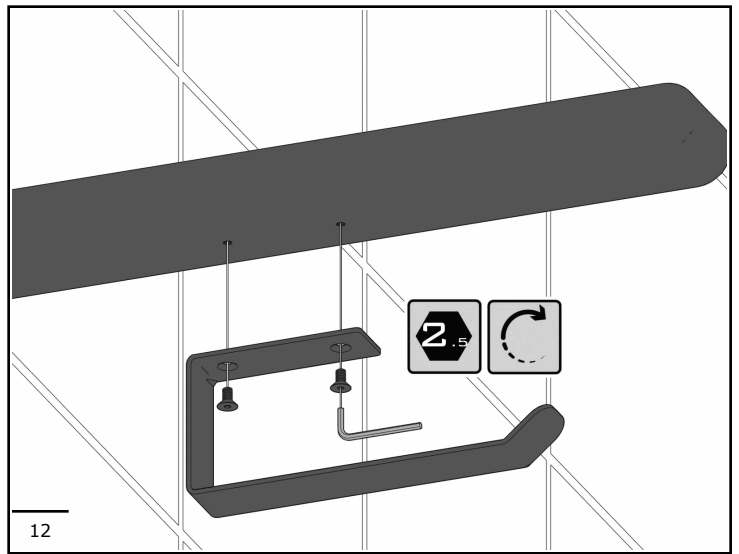
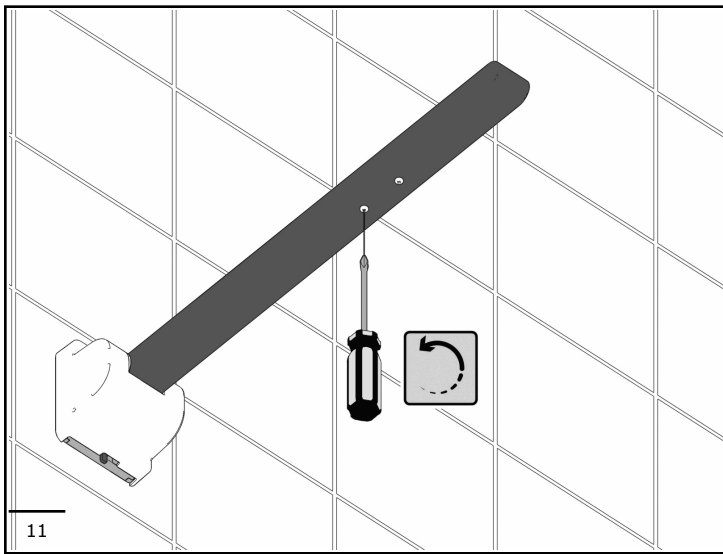
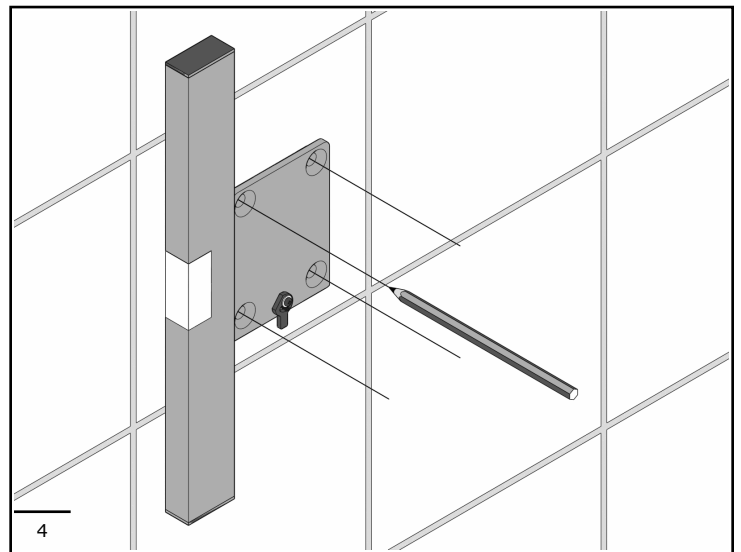
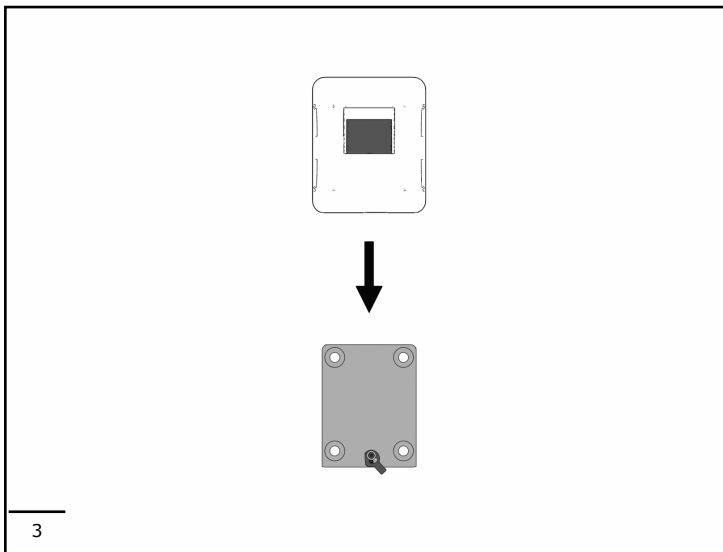
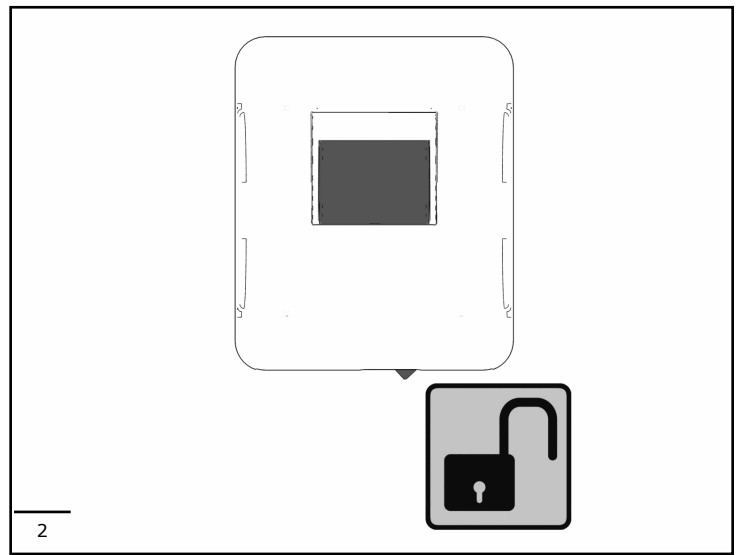
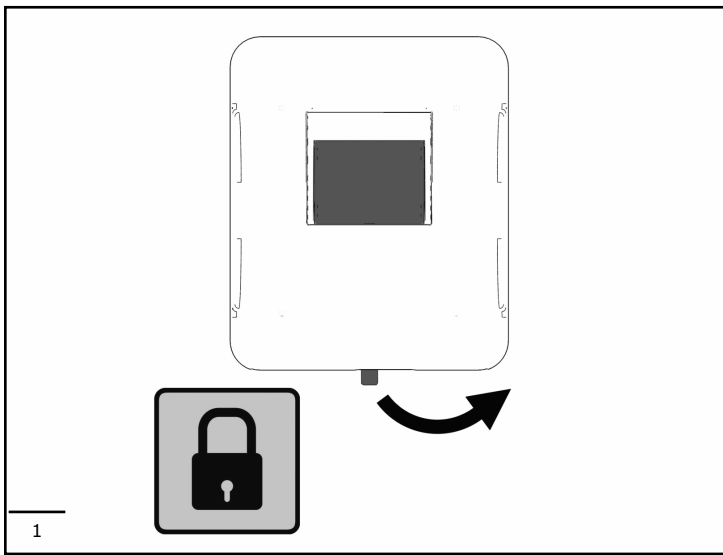
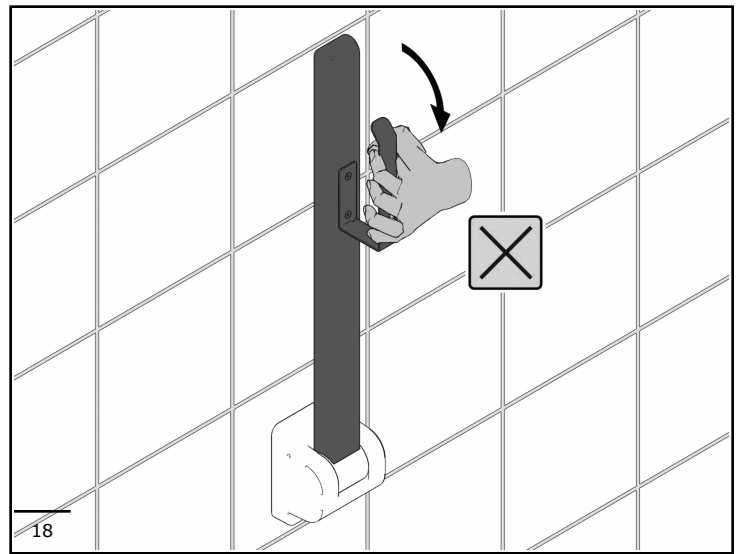
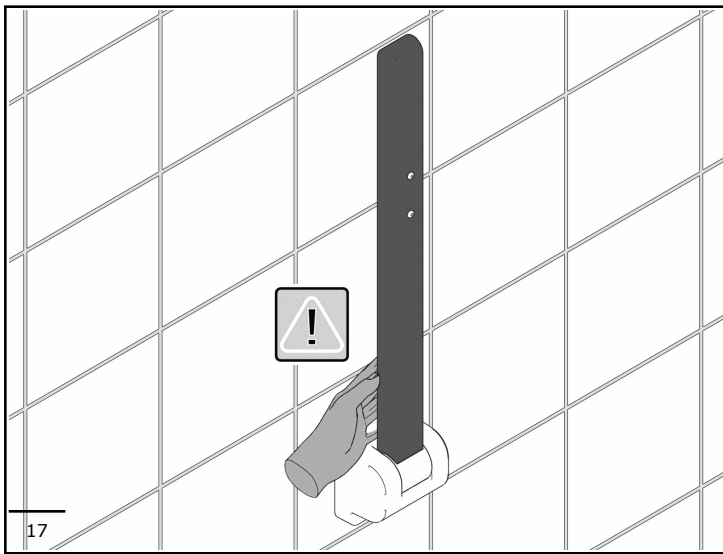


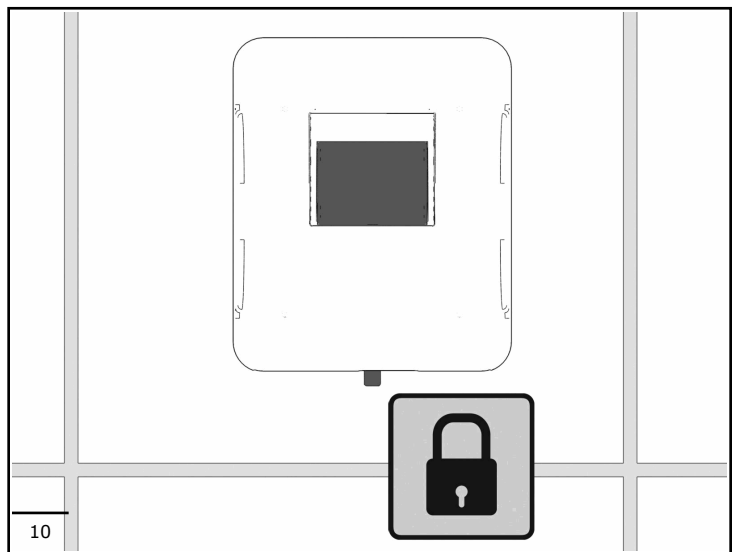
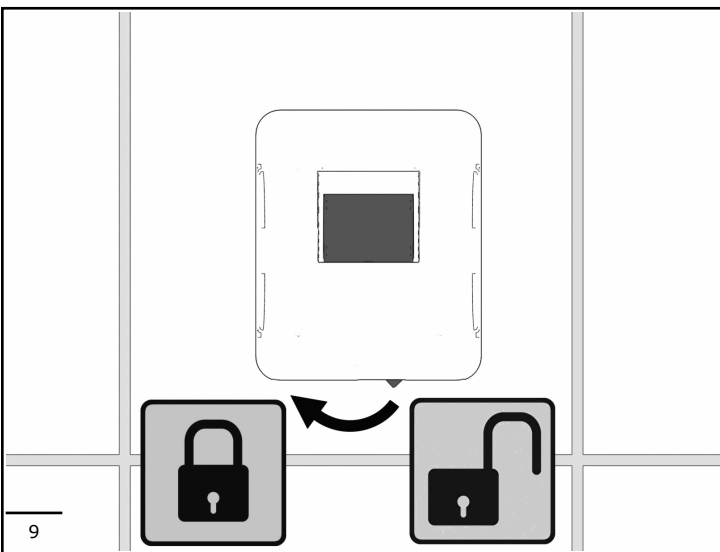
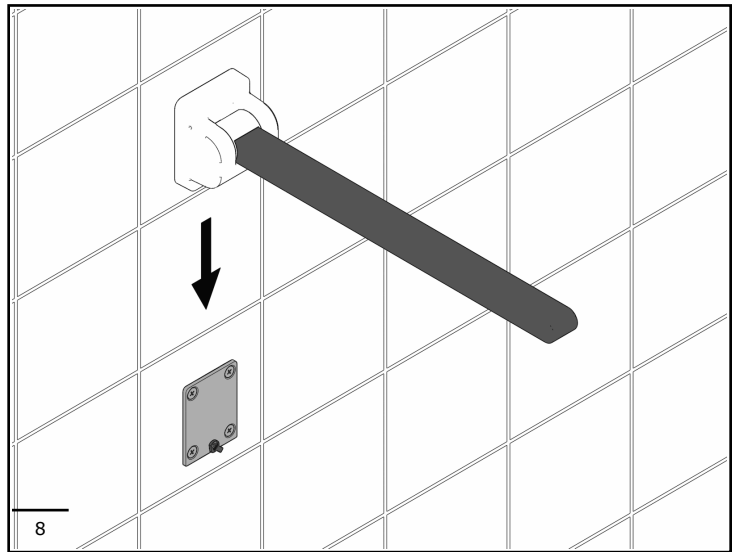
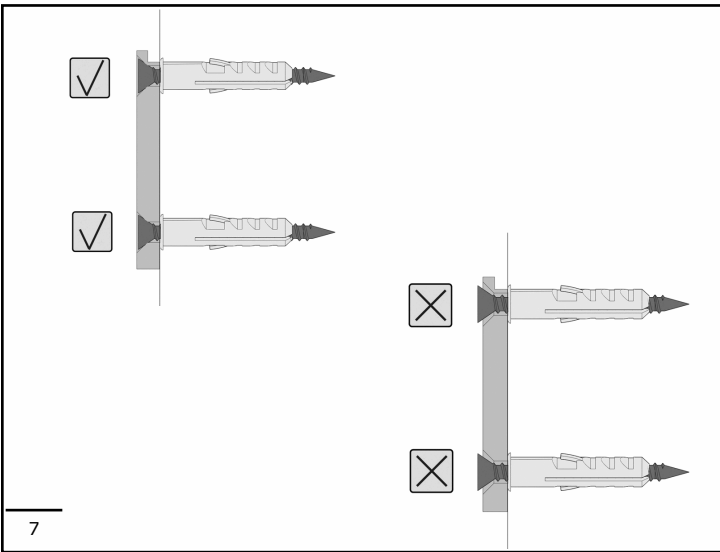
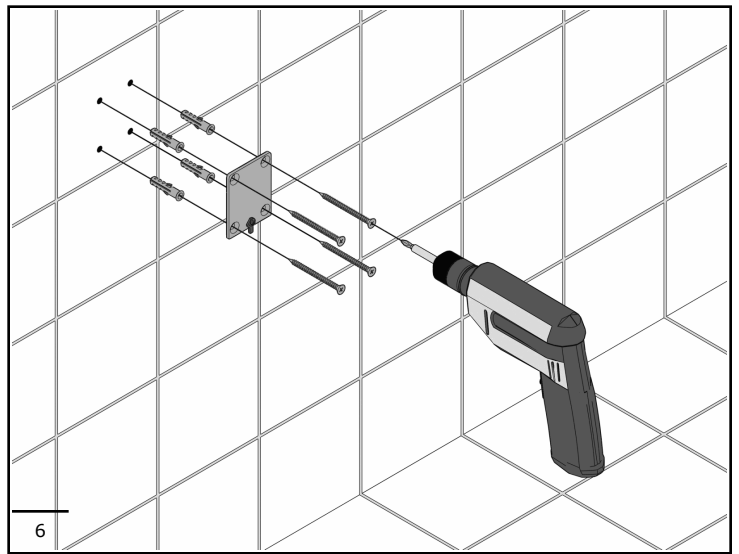
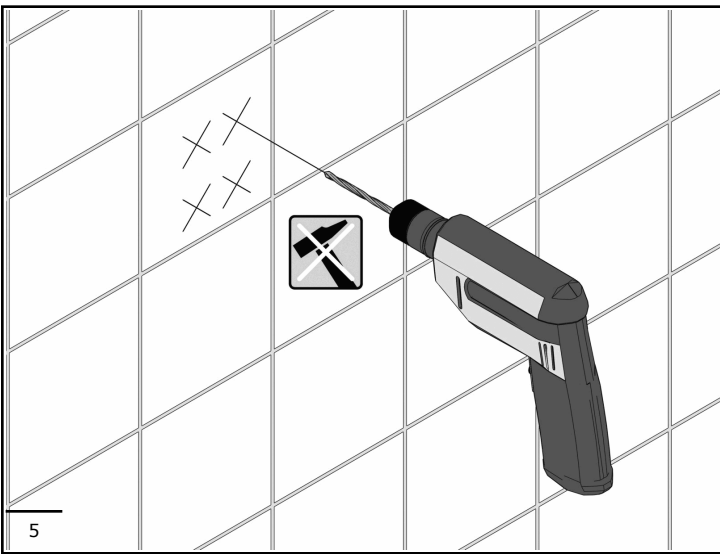
G18JCS07
G18JCS08
G18JCS09

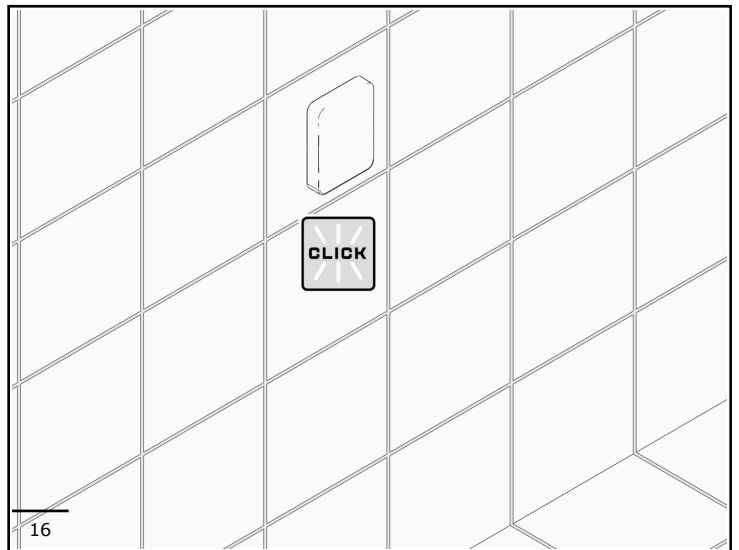
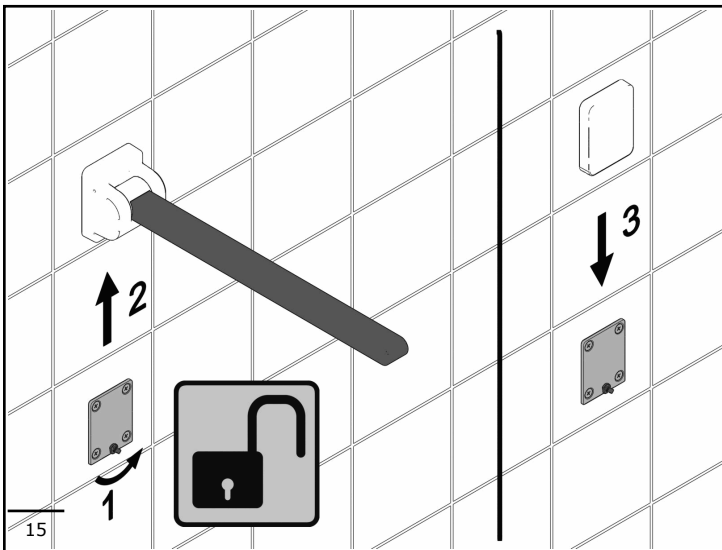
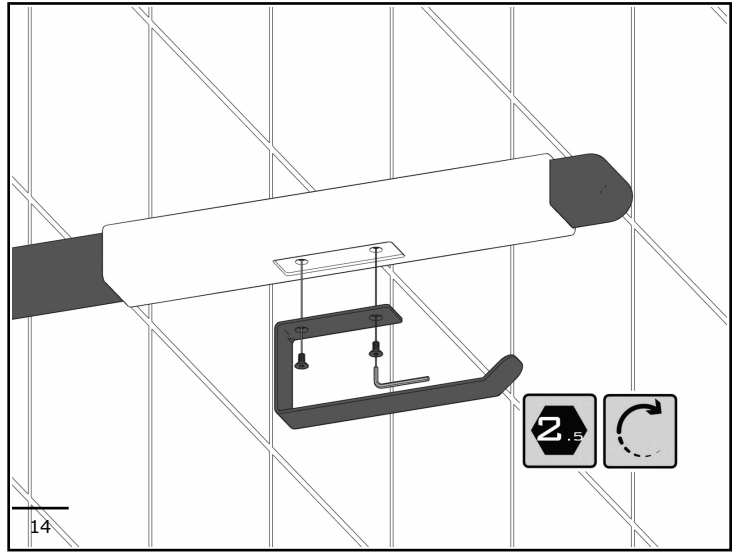
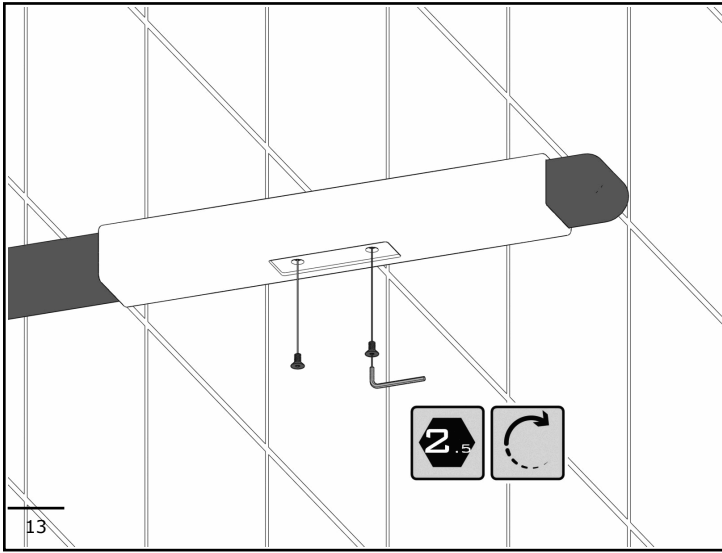
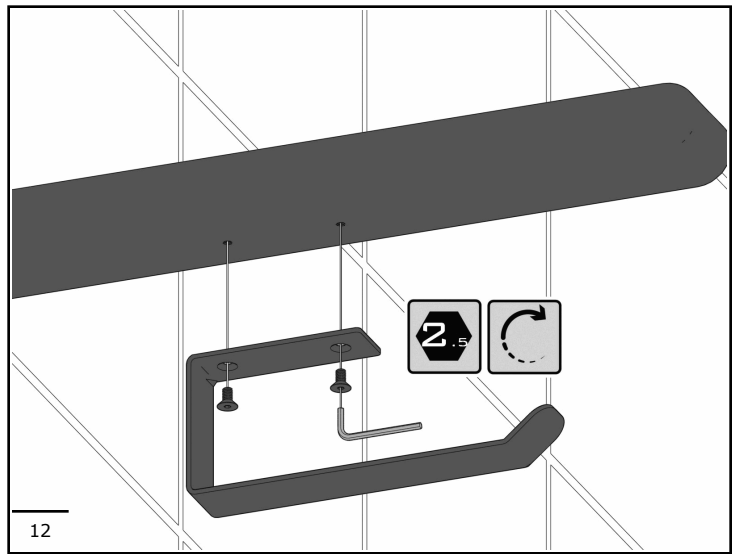
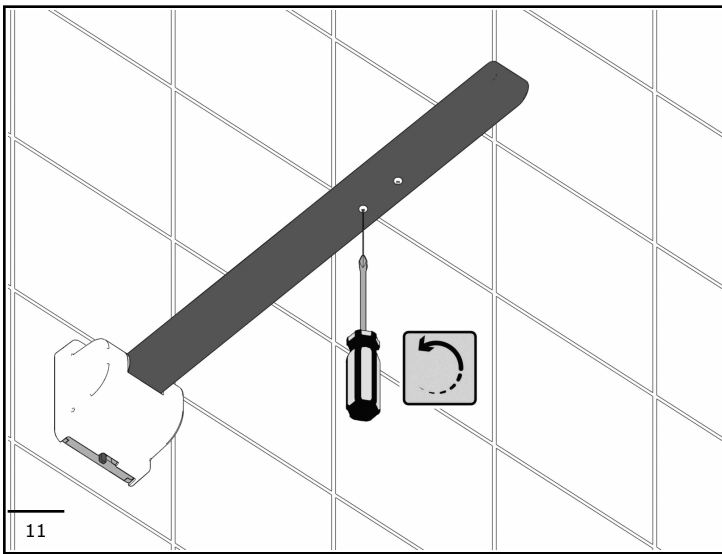


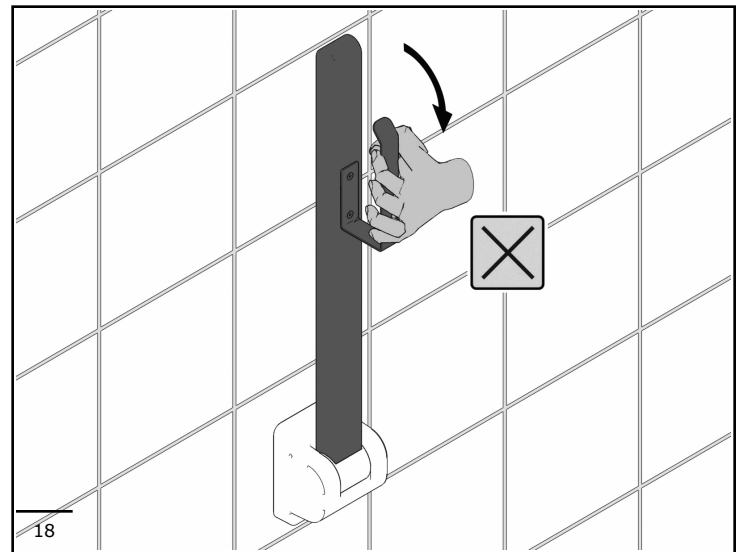
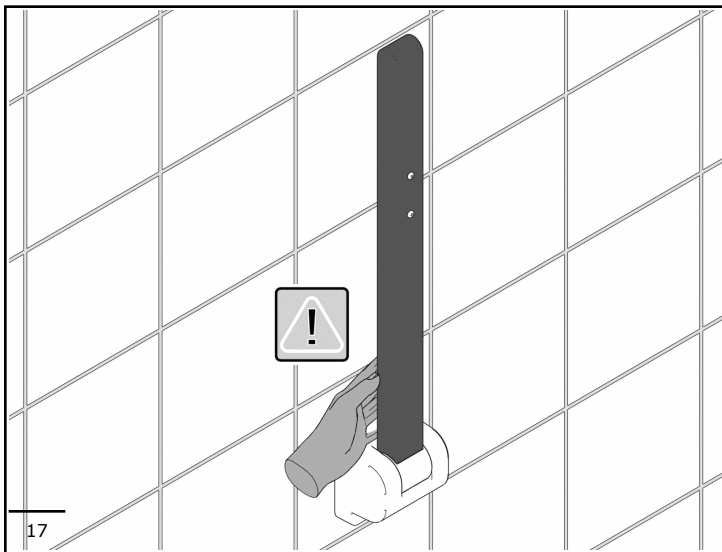












INSTRUCTIONS AND PRECAUTIONS FOR SAFE USE

- Prior to installing and using this grab bar, carefully read all the instructions.
- Retain this copy of the safety manual for future reference.
- Manufacturer, Ponte Giulio USA can be reached at 1-877-766-8301 or www.PonteGiulio.com
- This grab bar is designed to assist the user to sit comfortably, assist user to stand from a seated position, assist user in a slippery and wet environment, give user a secure place to hold, help user maintain their balance.
- Ensure this grab bar is not obstructed by other objects and is easily reachable.

GENERAL INFORMATION

- Keep packaging away from children to avoid risk of suffocation
- All parts of this grab bar are recyclable or reusable. It does not contain carcinogenic, mutagenic or toxic substances.
- This grab bar is capable of withstanding corrosion and temperature variations between 39 to 104 degrees F.

SAFETY AND INSTALLATION

- Do not exceed load capacity. Exceeding load capacity can cause damage to the product and harm to people.
- This grab bar should be installed by a competent installation professional.
- Ensure this grab bar is installed into a secure wall. Confirm that each fastener is securely mounted into wood studs or plywood backing/blocking material.
- Wall anchors or toggle bolts into drywall are not a secure mounting. This grab bar needs to be installed into studs or blocking.
- Do not install in a sauna.
- After installation, check to be sure unit has correct tension, moves up and down well but does not drop on it's own. There is a tension adjuster that can be tightened or loosened with a set key in the hinge mechanism.

ROUTINE AND MAINTENANCE

- Check the stability of the wall-mount at least once every 3 months.
- Check the grab bar flange tension, at least every 3 months. If it pivots freely, tighten the tension pin until the movement of the arm occurs only when user is adjusting it. A quarter turn of the set key is usually enough to either tighten or loosen the tension.
- Should the grab bar become unstable, contact the installer.
- This grab bar has a lifetime warranty against defect in materials or workmanship.

CLEANING

- Ensure this grab bar is free of grease and oils prior to use.
- Clean the surface using warm water, mild soap and a soft cloth. Do not use abrasive cleaners, chlorine bleach, strong acids or bases which may cause the material to dull.
- Do not use hot air, like a heat gun or blow dryer, for drying.

DISPOSAL

- Recycle unit when removed. All parts are recyclable or reusable.