

Invisia™ Accent Ring

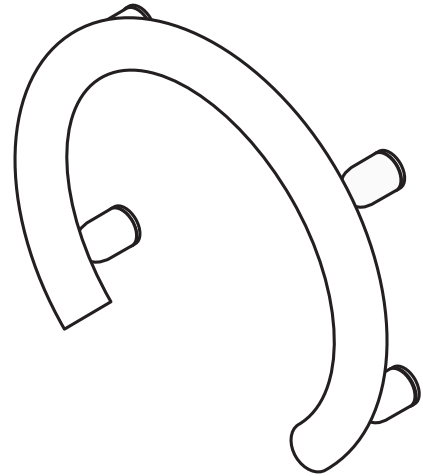
with Support Rail

INVISIA
LIVE BEAUTIFULLY

Technical Data Sheet

Product Specification

The product shall be a combination shower faucet accent ring and grab rail. The product shall have patented discreet wall mounts that conceal the mounting hardware. There shall be four points of contact between the product and the wall. The product shall be of full metal construction. The grab rail portion of the product shall be 1.25"/3.2 cm in diameter. The product shall be suitable for use in a wet environment. The product shall have a weight capacity in excess of 500lbs / 227kg. Product shall comply with ADAAG 4.26.3 specifying the structural strength of grab bars, tubs and shower seats. The grab rail shall be HealthCraft Products model INV-ACR-____ (see table below for appropriate product code).



Key Features

- Elegant Design with Integrated Support
- Solid Construction and Mounting
- Patented Discreet Wall Mounts that Conceal Mounting Hardware
- Suitable For Use in a Wet Environment
- 500lbs / 227kg Weight Capacity

Codes and Standards

- ADA Compliant Rail Diameter and Spacing (ADAAG 4.26.2)
- ADA Compliant Structural Strength (ADAAG 4.26.3)

Specified Model

Model	Finish	Material
INV-ACR-BS	Brushed	#304 Stainless Steel
INV-ACR-CP	Polished Chrome	

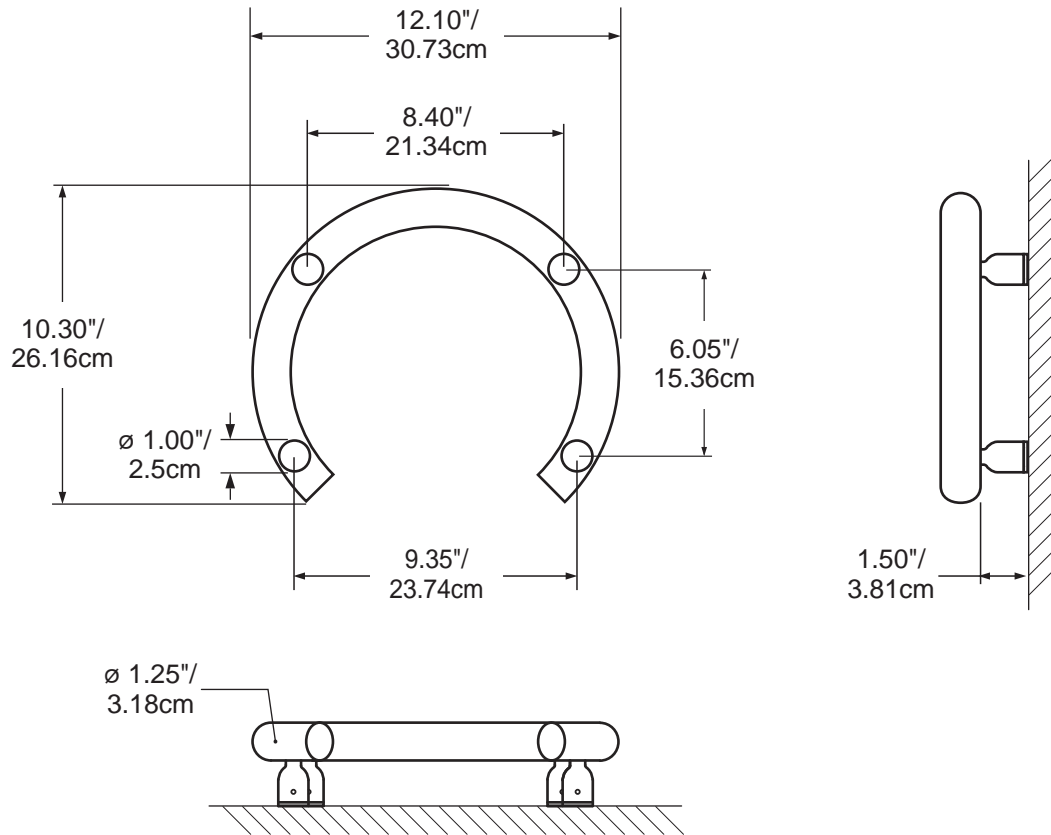
Invisia™ Accent Ring

with Support Rail

INVISIA
LIVE BEAUTIFULLY

Technical Data Sheet

Product Dimensions



Shipping Dimensions

Model	Height (H)	Width (W)	Depth (D)	Weight
ACR	4" / 10.1cm	14" / 35.6cm	13" / 33.0cm	4lbs / 1.8kg

