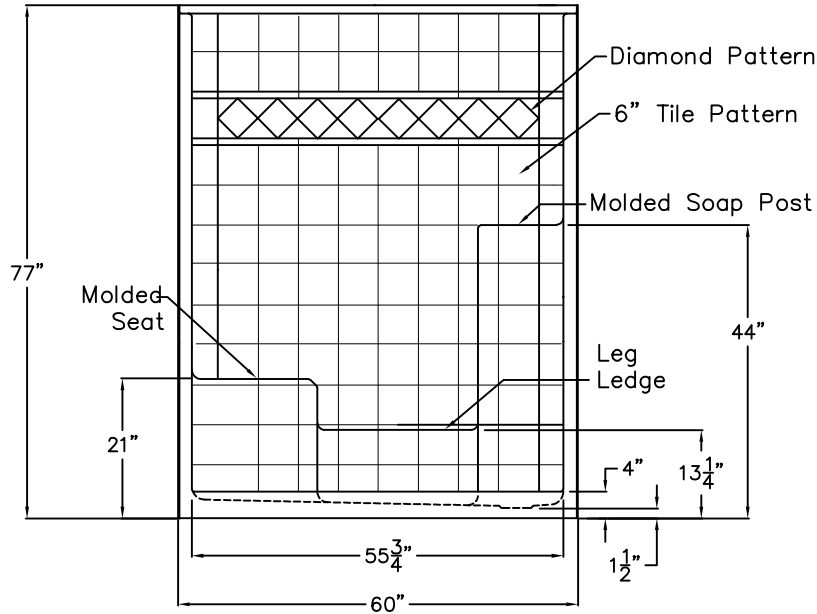


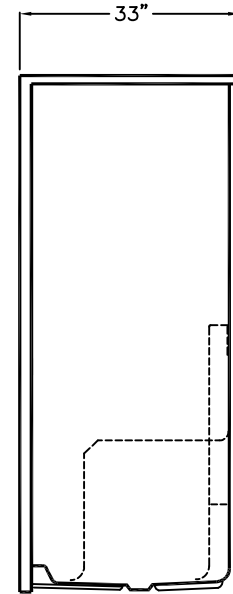
Luxury Acrylic Series

SUBMITTAL DATA

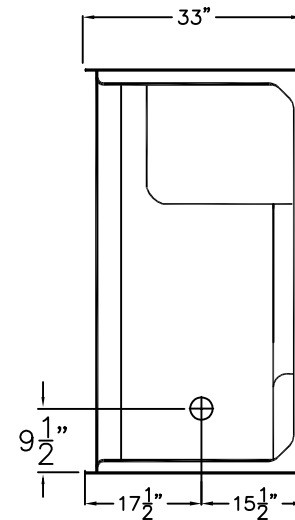
FRONT VIEW



SIDE VIEW
(Both Sides)



TOP VIEW



Sectional Shower

This shower enclosure shall be Model 6032 SH 1S 4.0 right or left. Finished surface shall be of sanitary-grade applied acrylic. The unit shall have outside dimensions of 60" x 33" x 77". The unit shall meet IAPMO Z124-2011, and CSA B45.5-11.

The enclosure shall be equipped with the following factory installed accessories:

- 1) Molded lower ledge on back wall,
- 2) Tile finish,
- 3) Diamond accents,
- 4) Molded seat right or left,
- 5) Full reinforced backing on all walls,
- 6) 4.0" threshold.

DUE TO THE NATURE OF THE MATERIALS
DIMENSIONS MAY VARY ± 1/2"

Job Name:

EZABLE

Approved By Print Name:

Drawing#: EZA 6032 SH 1S MS FWB

Approved By Signature:

Date:

Date: 8-22-08

Revised: 5-24-18

Rep.:

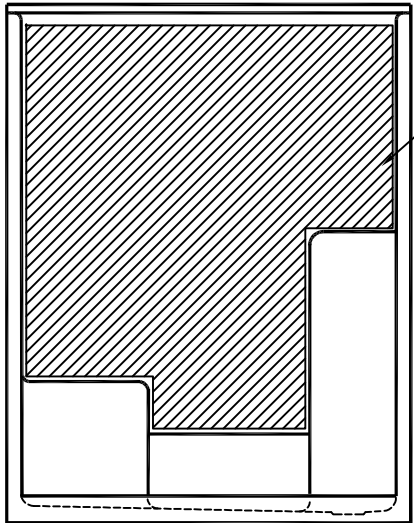
Wholesaler:

Quote No.:

Backing Placement Drawing

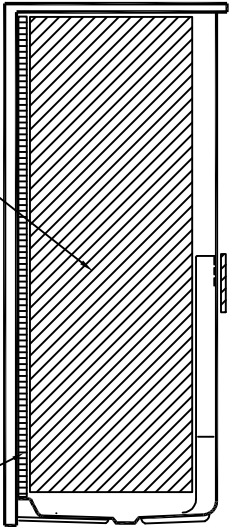
SUBMITTAL DATA

FRONT VIEW



54" x 60"
Reinforced
Backing

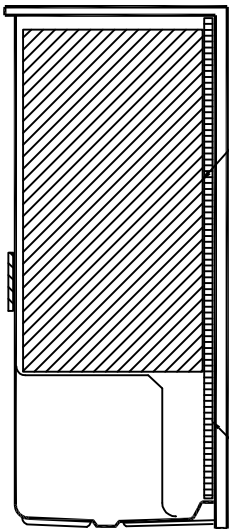
SIDE VIEW



24" x 70"
Reinforced
Backing

Boxing Stick

SEAT SIDE VIEW



26" x 60"
Reinforced
Backing

Boxing Stick

DUE TO THE NATURE OF THE MATERIALS
DIMENSIONS MAY VARY ± 1/2"

Job Name:	EZABLE
Approved by Print Name:	Drawing#: EZA 6032 SH 1S MS FWB-BP
Approved by Signature:	Date: 5-8-07. Revised: 5-24-18
Rep.:	Quote No.:
Wholesaler:	