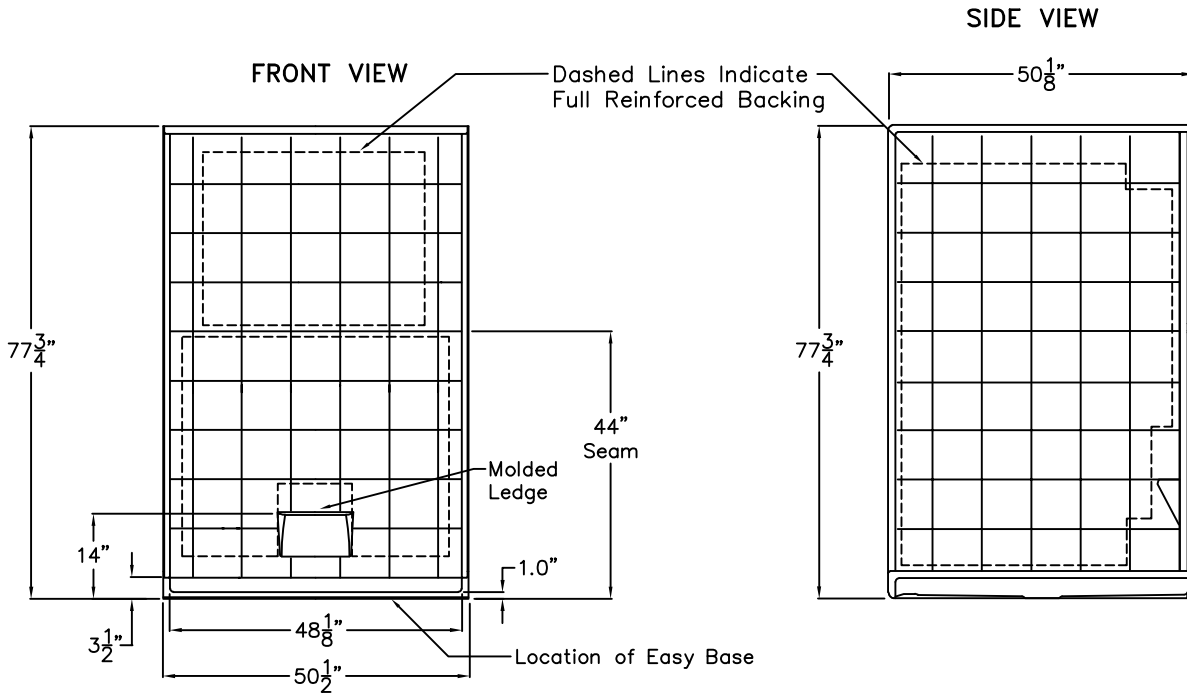


# Comfort Series

## SUBMITTAL DATA © 2002

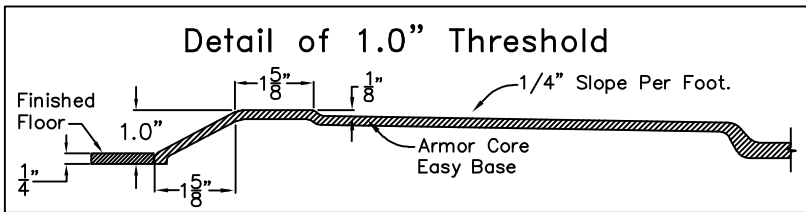
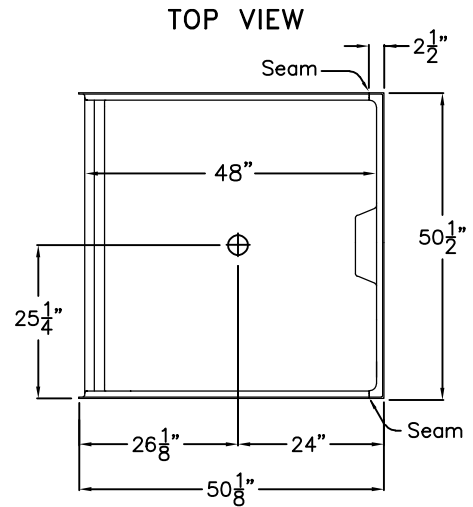


**Sectional Shower**

This shower enclosure shall be Model 5050 BF 5P 1.0 center drain. Finished surface shall be of sanitary-grade applied acrylic. The unit shall have outside dimensions of 50 1/2" x 50 1/8" x 77 3/4". The unit shall meet IAPMO Z124-2011, and CSA B45.5-11.

The enclosure shall be equipped with the following factory installed accessories:

- 1) Molded lower ledge on back wall,
- 2) Tile finish,
- 3) Five piece sectional design,
- 4) Full reinforced backing on all walls,
- 5) Factory installed Armor Core Easy Base,
- 6) 1.0" threshold.



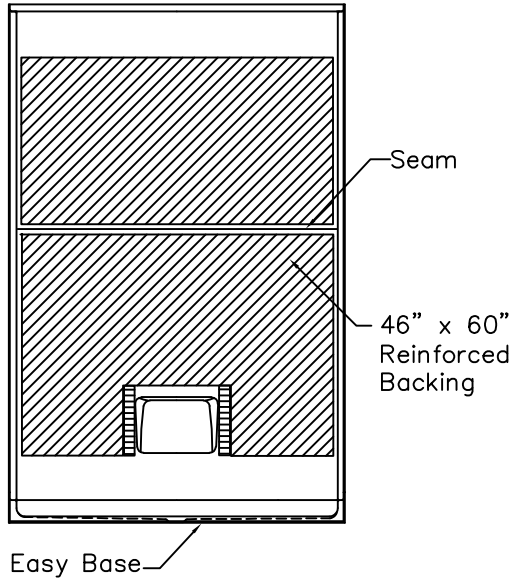
DUE TO THE NATURE OF THE MATERIALS INVOLVED  
UNIT DIMENSIONS MAY VARY ± 1/2 INCH

Job Name:	EZABLE	
Approved by Print Name:	Drawing#: EZA 5050 BF 5P 1.0 FWB Easy Base	
Approved by Signature:	Date:	Date: 3-31-09      Revised: 8-17-17
Rep.:	Wholesaler:	Quote No.

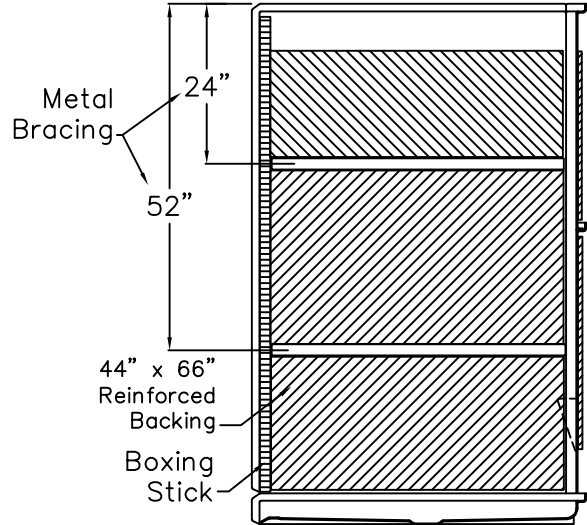
# Backing Placement Drawing

SUBMITTAL DATA © 2004

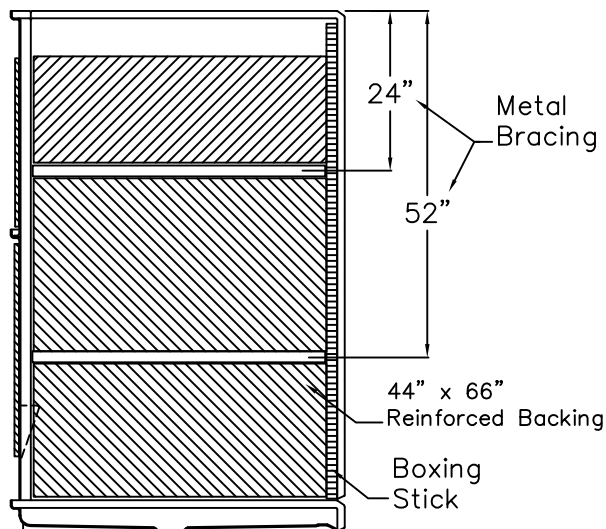
FRONT VIEW



SIDE VIEW



SIDE VIEW



DUE TO THE NATURE OF THE MATERIALS INVOLVED  
UNIT DIMENSIONS MAY VARY ± 1/2 INCH

Job Name:

EZABLE

Approved by Print Name:

Drawing#: EZA 5050 BF 5P 1.0 FWB  
Easy Base-BP

Approved by Signature:

Date:

Date: 3-31-09

Revised: 8-17-17

Rep.:

Wholesaler:

Quote No.: