



4545 Enterprise Street Boise, ID 83705  
ph.: 800-727-9907 fax: 800-627-0929 www.best-bath.com

## Specifications

# Rubber WaterStopper Kit

## "THE SOLUTION TO WET FLOORS"



### - Material:

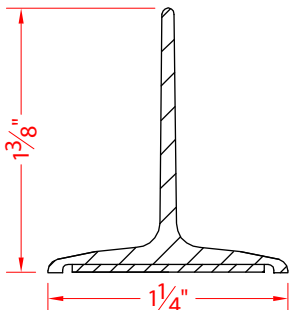
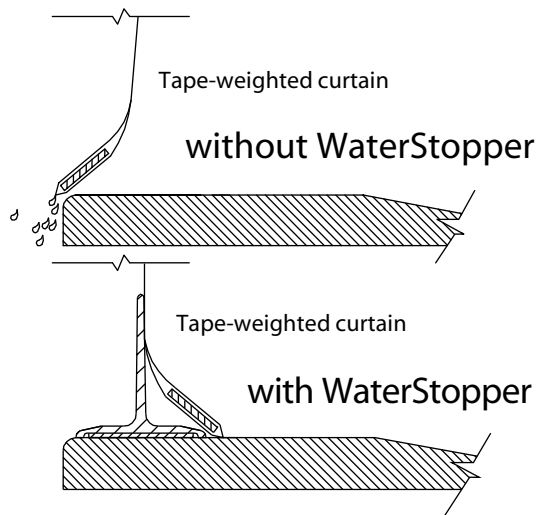
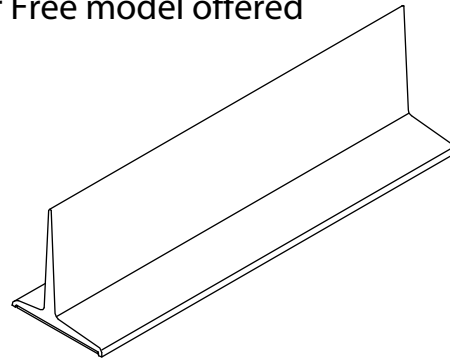
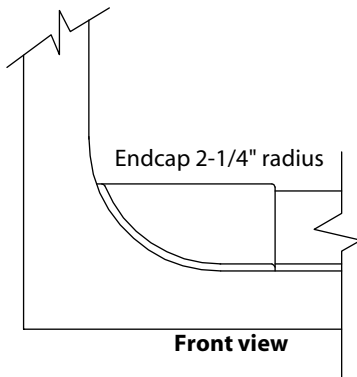
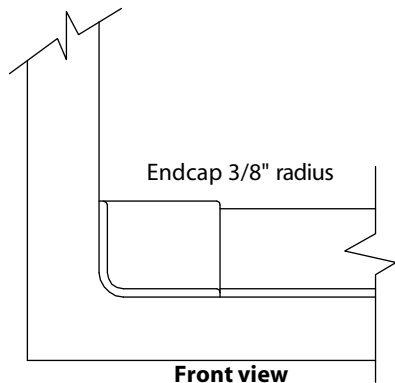
T-shaped Strip: Grey or Beige EPDM Rubber, 50 Durometer

Endcaps: injection molded Vyram rubber, matching color

### - Dimensions: Will fit on any Access ADA or Barrier Free model offered

### - Available for other Brands

### - Installation: Self-Adhesive



**Cross Section**  
**Scale 1:1**

